



ZRB46

DIRECT VENT GAS FIREPLACE



THE ULTIMATE IN DESIGN, ENGINEERING & QUALITY

Unit Illustrated is a ZRB46N Zero Clearance Direct Vent Gas Fireplace – Natural Gas, ZRB46S2SS Surround Stainless Steel, and ZRB46PL Porcelain Liners.



The ultimate in Zero Clearance Direct Vent Fireplaces for new home construction or renovation, and your best choice for installation anywhere throughout your home.

ZRB46

DIRECT VENT GAS FIREPLACE



THE ULTIMATE IN DESIGN, ENGINEERING & QUALITY

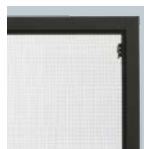
Unit Illustrated is a ZRB46N Zero Clearance Direct Vent Gas Fireplace – Natural Gas, ZRB46S1SS Surround Stainless Steel, RBCB1 Cannonballs x 14 and ZRB46PL Porcelain Liners.

| | | |
|----------------------|------------------------------|-------------------|
| Model | ZRB46N/NE | ZRB46LP/LPE |
| Fuel | Natural | Propane |
| Gas Control | Millivolt / IPI | Millivolt / IPI |
| Input | 23,250 BTU | 23,250 BTU |
| Low | 15,750 BTU | 17,750 BTU |
| Fe (P.4.1-02) | 61.6% / 63.8% | 61.6% / 63.8% |
| Glass Size | 40 5/8" x 13 7/8" | 40 5/8" x 13 7/8" |
| Venting | 4/7" Kingsman Flex Vent Only | |

Warm up your favourite room with the beauty of a Linear Fireplace.

STANDARD FEATURES

- Hi/Low Millivolt or IPI valve system will operate during power failures.
- Decorative Bronze Glass
- Mobile Home, Bedroom and Bed Sitting Room approve
- Safety Screen Barrier*



Safety Screen Barrier

OPTIONAL FEATURES

Fan Kit

Heat activated with variable speed control

Wall Mount Thermostat

Standard On/Off or Programmable 5 day (weekday) and 2 day (weekend)

Remote Control

On/Off, Thermostat On/Off, Thermostat On/Off modulating, Thermostat On/Off modulating and fan control

Universal Light Kit

Accent Lighting – Two Lamps

Porcelain Reflective Liner

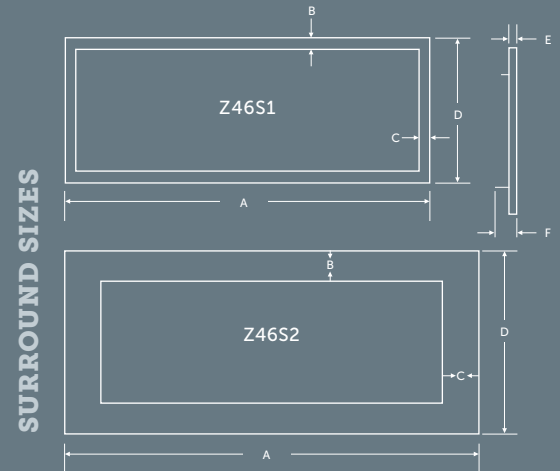
Cannonballs



* All gas fireplaces manufactured as of January 1, 2015 will include a Safety Screen Barrier.

Z46S1 Z46S2

| | | |
|---|---------|---------|
| A | 44 5/8" | 50 3/8" |
| B | 1 1/2" | 4 3/8" |
| C | 1 1/2" | 4 3/8" |
| D | 17 3/4" | 22 1/2" |
| E | 1" | 1" |
| F | 1 3/4" | 1 3/4" |



SPECIFICATIONS (IN.)

FIREPLACE DIMENSIONS

| | Width | Height | Depth |
|-------|---------|---------|---------|
| ZBR46 | 46 1/4" | 43 1/2" | 17 7/8" |

FRAMING DIMENSIONS

| | Width | Height | Depth |
|-------|-------|---------|---------|
| ZRB46 | 47" | 43 3/4" | 18 1/4" |



1. Unit Illustrated is a ZRB46N Zero Clearance Direct Vent Gas Fireplace – Natural Gas, ZRB46S2BL Surround Black, and ZRB46PL Porcelain Liners.
2. Unit Illustrated is a ZRB46N Zero Clearance Direct Vent Gas Fireplace – Natural Gas, ZRB46S1BL Surround Black, and ZRB46PL Porcelain Liners.
3. Unit Illustrated is a ZRB46N Zero Clearance Direct Vent Gas Fireplace - Natural Gas, ZRB46S1BL Surround Black, RBCB1 Cannonballs x 14, and ZRB46PL Porcelain Liners.
4. Unit Illustrated is a ZRB46N Zero Clearance Direct Vent Gas Fireplace – Natural Gas, ZRB46S1SS Surround Stainless Steel, and ZRB46PL Porcelain Liners.



2340 Logan Avenue
Winnipeg, Manitoba, Canada R2R 2V3
Phone: (204) 632-1962 Fax: (204) 632-1960
www.kingsmanfireplaces.com

ZRB46

DIRECT VENT GAS FIREPLACE



*Components may have to be ordered separately to create a complete unit. Discuss with your local Kingsman dealer for clarification.

Kingsman Fireplaces maintains a program of continuous testing, refinement and improvements of all its products. Some aspect of units shown here may be changed at any time without notice or obligation.
Certification: The model ZRB46 is certified for Canada/USA as a Vented Gas Fireplace Heater ANSI Z21.88-2014, CSA 2.33-2014, CGA 2.17-M91 (R2009).