

QUALITY FIREPLACES FOR LIFE.

KOZY HEAT FIREPLACES | TRF-41

  
**KOZY HEAT**  
FIREPLACES

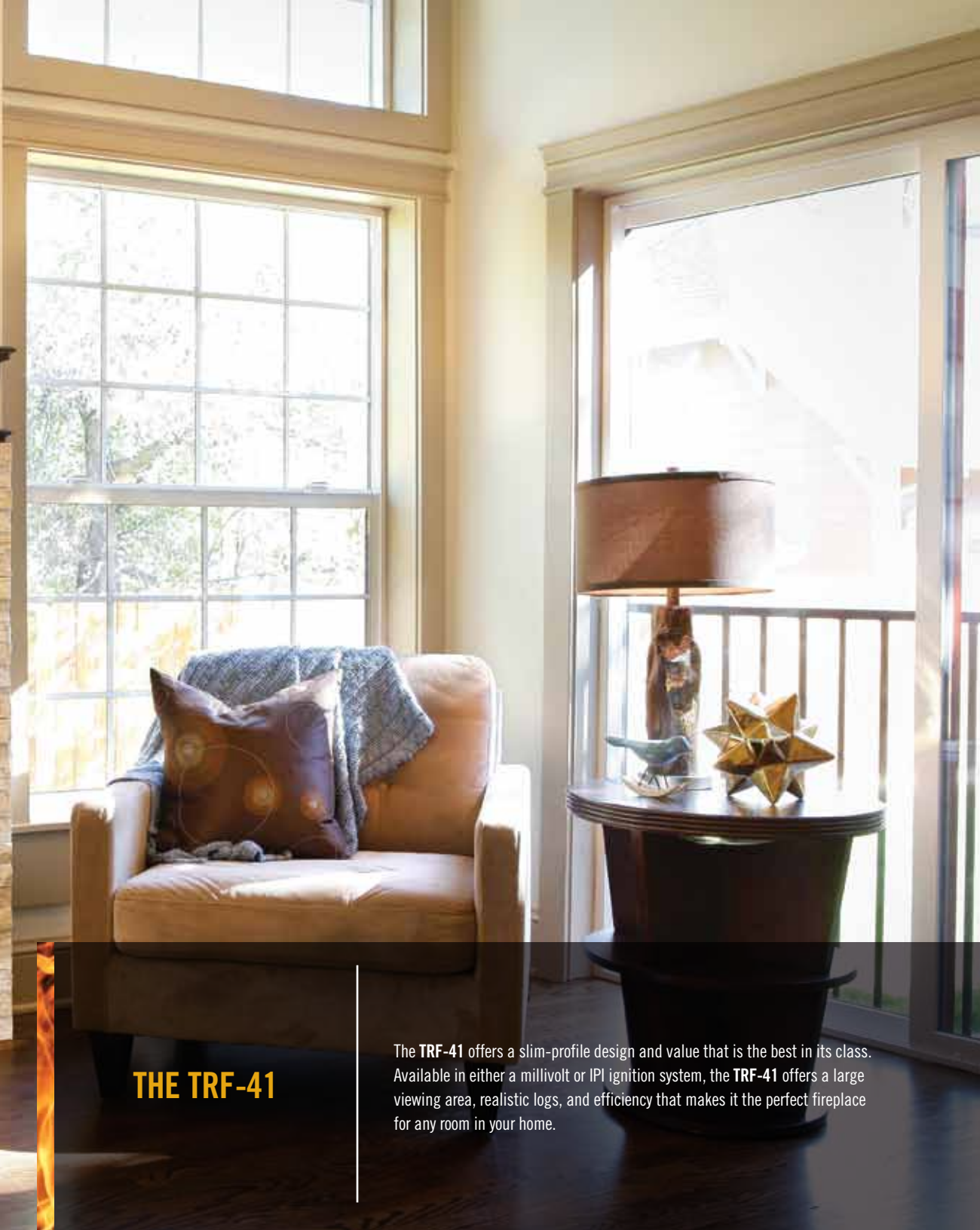


TRF-41 shown with a Prairie screen front and optional Brick refractory

**TRF-41**

DIRECT VENT FIREPLACE

TRF-41 shown with an Arched Mission screen front in Vintage Bronze and optional Enamel refractory



## THE TRF-41

The **TRF-41** offers a slim-profile design and value that is the best in its class. Available in either a millivolt or IPI ignition system, the **TRF-41** offers a large viewing area, realistic logs, and efficiency that makes it the perfect fireplace for any room in your home.

# FIREPLACE OPTIONS, ACCESSORIES & CONTROLS

## Fronts



## Optional Refractory



## Finish Options



## Decorative Finishes



## TRF-41 IPI Control



Komfort Control Remote

## TRF-41 Millivolt Option Controls



Touch Screen Thermostat  
Remote Control



Deluxe On/Off  
Remote



Wired or Wireless Wall  
Mount Thermostat



Wireless wall switch

## Burn Video



Model	TRF-41 IPI	TRF-41 MV
Height	34-1/2"	34-1/2"
Width	40-3/4"	40-3/4"
Back Width	22-1/2"	22-1/2"
Depth	15-3/4"	15-3/4"
Weight	180 lbs	180 lbs
Viewing Area	23-11/16" x 32-3/4"	23-11/16" x 32-3/4"
BTU NG High / Low	28,500 / 14,000	28,000 / 20,000
BTU LP High / Low	28,500 / 13,500	28,000 / 21,000
Efficiencies NG / LP	74.36% / 76.38%	74.36% / 76.38%
ENERGUIDE P4	66.89 / 67.64	66.89 / 67.64
Valve System	IPI	Millivolt
Optional Refractory	Brick and Enamel	Brick and Enamel
Fan Kit	Standard	Optional
Screen Front	Required	Required

Features, Options & Specifications are subject to change.

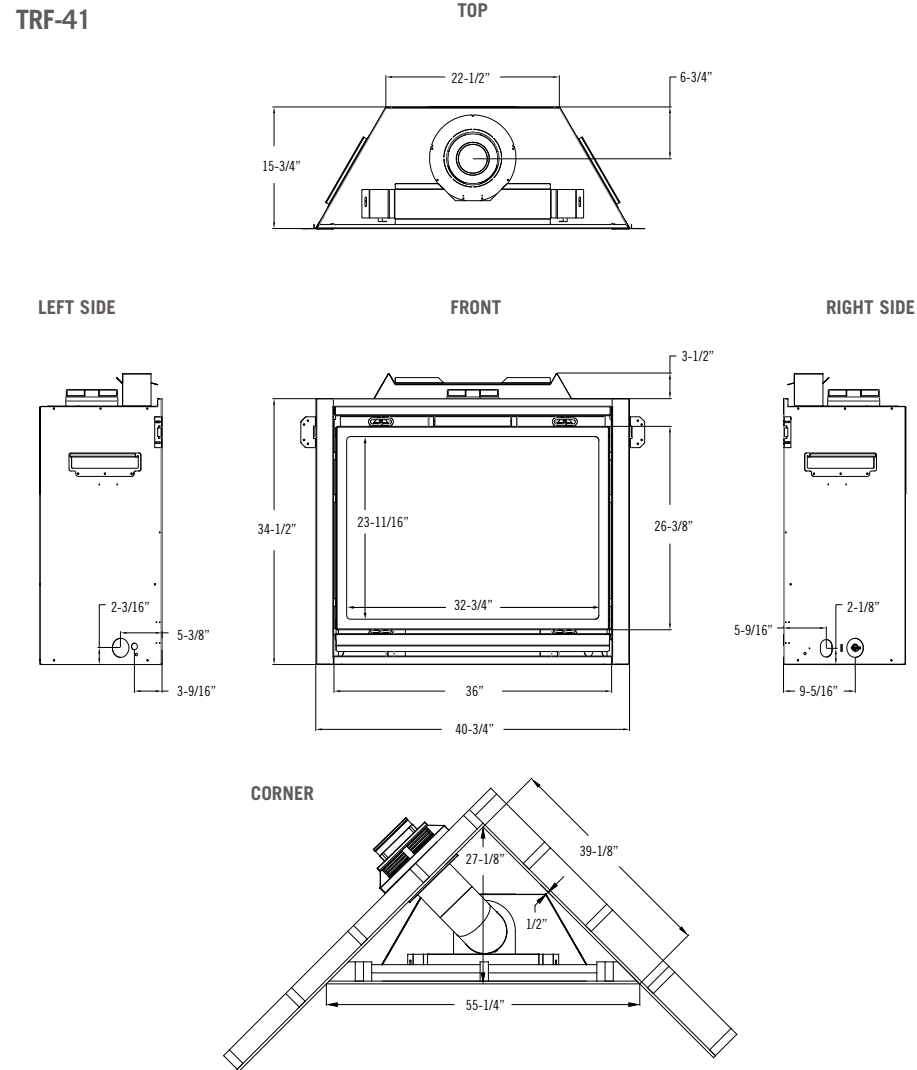
## Clearances

Model	TRF-41 IPI	TRF-41 MV
Top of unit face to framing	3-1/2"	3-1/2"
From unit left & right sides & back	1/2"	1/2"
Unit front to side wall trim	1"	1"
To flooring	0"	0"
Unit top to ceiling	31"	31"
Unit side to adjacent sidewall	1-1/2"	1-1/2"
Mantel 9" deep from top of fireplace	7-1/2"	7-1/2"

Each unit factory tested

Refer to the installation manuals for complete installation & venting requirements. See additional mantel clearance configurations in the installation manual.

The TRF-41-L contains an IPI modulating valve system with a full-function remote control. The TRF-41-MV is a Millivolt model with a standing pilot system.



## Vent System Approval & Requirements

This fireplace is manufactured to accept 4" x 6-5/8" pipe only.

- Simpson Dura-Vent™ DV-PRO Pipe
- Selkirk Metalbestos™ direct chimney system
- Ameri-Vent/American Metal™ direct chimney system
- Security™
- Metal Fab™
- ICC™
- Kozy Heat™ Flexible #700 series vent kits\*
- BDM™ direct vent chimney system

IMPORTANT: A wall thimble/pass thru must be used on ALL horizontal vent runs that pass through interior OR exterior walls. (follow vent manufacturers instructions)

The included horizontal vent heat shield must be installed when incorporating minimum horizontal venting. This applies to NG and LP minimum horizontal venting configurations.

Elbows: For each additional 90° elbow used after the first elbow, 3' must be subtracted from the maximum venting allowed. For each additional 45° elbow used after the first elbow, 1½' must be subtracted from the maximum venting allowed. Note: (2) 45° elbows = (1) 90° elbow.

### Horizontal Terminations

Minimum: 90° elbow + 6' + cap.  
Maximum: 90° elbow + 14' + cap

### Vertical Terminations

Minimum: 3' + vent cap  
Maximum: 50' + vent cap

In order to continually provide the highest quality product available, features/options, specifications & dimensions are subject to change. Refer to the unit installation manual for complete installation instructions. Installation must conform with local building codes. **In some regions it may be possible that this appliance qualifies for an energy rebate. See your local dealer for details regarding promotions and qualifications.**

Product Line:



For complete information on the Kozy Heat product line, please contact us at: