

marquis
COLLECTION | by Kingsman



S E R E N I T Y

ZERO CLEARANCE DIRECT VENT GAS FIREPLACE

Unit illustrated is a MQZDV1917N Zero Clearance Direct Vent Fireplace – Natural Gas, with MQLOGC19 Split Oak Log Set, MQ19GLCV Vintage Copper Vein Leaf Pattern Arch Door and Grill, MQ19SACV Vintage Copper Vein Arch Surround.

Surrender Yourself to **SERENITY**

This stylish new European-inspired design is perfect for the bath, kitchen or bedroom. Create the ultimate retreat in your home with the beauty and comfort of a Serenity gas fireplace.



Model	MQZDV1917N	MQZDV1917LP
Flue	top	top
Fuel	Natural	Propane
Input Max.	17,000 BTU	17,000 BTU
Input Min.	11,800 BTU	13,000 BTU
FE (P.4.1-02)	60.6%	60.6%

STANDARD FEATURES

- > Millivolt or IPI valve system allows operation during a power failure with Hi/low heat and flame adjustment
- > Dual burner with Realistic Flame Pattern
- > A flame sensor that constantly monitors the pilot flame and provides 100% gas shut off if pilot is not sensed

OPTIONAL FEATURES

Grill and Arch Door Kit:

- > Diamond Pattern – Black, Vintage Copper Vein, and Pewter
- > Leaf Pattern – Black, Vintage Copper Vein, and Pewter

Finishing Surround:

- > Arch Surround – Black, Vintage Copper Vein, and Pewter
- > Straight Surround – Black, Vintage Copper Vein, and Pewter

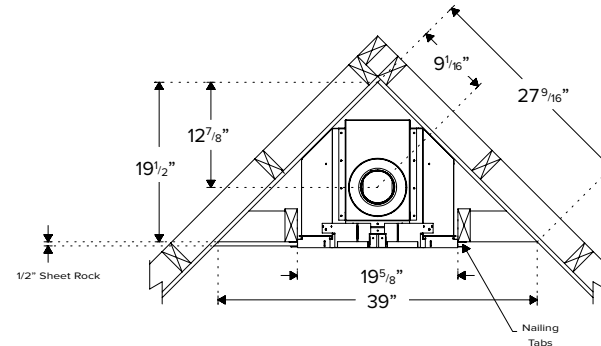
Fireplace Accessory Options:

- > Porcelain Reflective Liner
- > Brick Liner
- > Fan Kit - Heat activated with variable speed control
- > Thermostat Millivolt - Wall Mount or Programmable
- > Remote Control - On/Off, Thermostat, Thermostat/Modulating or Thermostat/Modulating/Fan



Unit illustrated is a MQZDV1917N Zero Clearance Direct Vent Fireplace – Natural Gas, with MQLOGC19 Split Oak Log Set, MQ19GDBL Black Diamond Pattern Arch Door and Grill, MQ19SSBL Black Straight Surround, MQ19RL Brick Liner and optional MCAB19B Birch Cabinet mantel - with Cherry Finish.

Corner Framing Dimensions (inches)



Height		Front Width		Depth		Viewing Area	
Actual	Framing	Actual	Framing	Actual	Framing	Width	Length
32 ⁷ / ₈ "	33"	19 ³ / ₈ "	19 ⁵ / ₈ "	15 ⁵ / ₈ "	15"	13 ⁷ / ₈ "	18 ³ / ₈ "



 **marquis**
COLLECTION | by Kingsman

Kingsman Fireplaces maintains a program of continuous testing refinement and improvements of all its products. Some aspect of units shown here may be changed at any time without notice or obligation.
Certification: The model MQZDV1917 is certified as a vented gas fireplace heater to ANSI Z21.88-2009, CSA 2.33-2009, CGA 2.17-M91.

