



DESIGNED TO HEAT.
BUILT TO LAST.

PELLET

STOVES AND INSERTS



THE P3

SMALL PELLET STOVE



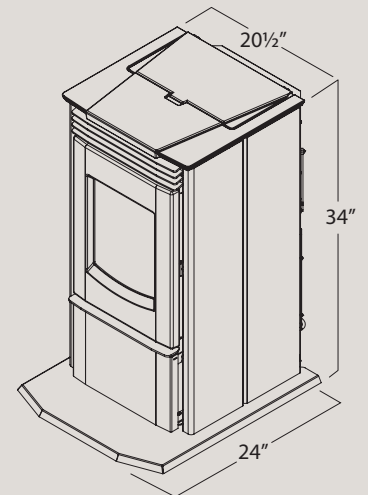
P3 Freestanding Pellet Stove, Racing Red Side Panels

Design Features

- LED digital controls
- "Comfort level" control system
- "Run Quiet" system
- Large viewing area (130 sq. in.)
- Large ash pan
- Comes standard with ignitor
- Tri-mode enabled thermostat
- Heavy duty heat exchanger
- 130 cfm variable speed fan
- Painted black side panels - *standard*
- Optional enameled side panels
 - Racing Red
 - Classic Ivory

Stove Details

BTU Max Input	30,000 BTU
Heating Area	1,200 ft ²
Efficiency	78%
Glass Size	130 in ²
EPA Emissions	1.6 g/hr
Hopper Capacity	55 lbs
Stove Dimensions	21½"w 24"d 34"h





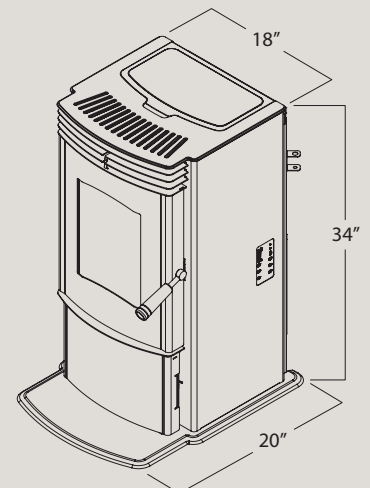
Mini Freestanding Pellet Stove

Design Features

- Automatic controls
- "Run Quiet" system
- Large viewing area (130 sq. in.)
- Large ash pan
- Comes with bolt-on hearth pad
- Comes standard with ignitor
- Tri-mode enabled thermostat
- Large heat exchanger
- Levelling legs
- 130 cfm variable speed fan

Stove Details

BTU Max Input	30,000 BTU
Heating Area	1,200 ft ²
Efficiency	78%
Glass Size	130 in ²
EPA Emissions	1.6 g/hr
Hopper Capacity	48 lbs
Stove Dimensions	18"w 20"d 34"h



THE EMPRESS

MEDIUM+ PELLET STOVE



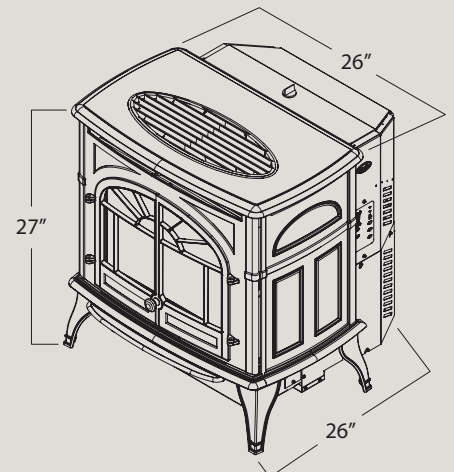
Empress Freestanding Cast Iron Pellet Stove, Painted Black

Design Features

- Large viewing area 250 in²
- Cast iron construction
- Tri-mode enabled thermostat
- Optional fire screen
- Optional outside combustion blower kit
- Optional log set
- Large heat exchanger
- 105 cfm variable speed fan
- Operates with cast doors open or closed
- Available in multiple finishes
 - Painted Metallic Black
 - Antique Chestnut, Enamel

Stove Details

BTU Max Input	35,000 BTU
Heating Area	1,600 ft ²
Efficiency	83.5%
Glass Size	250 in ²
EPA Emissions	1.7 g/hr
Hopper Capacity	55 lbs
Stove Dimensions	26"w 26"d 27"h





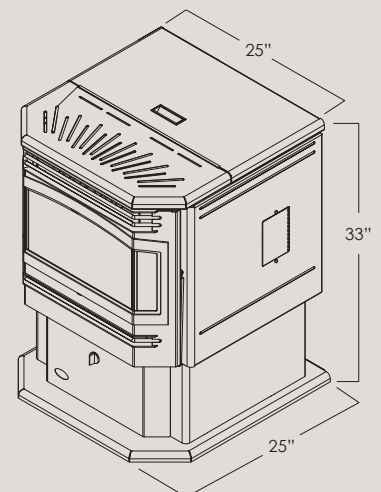
Meridian Freestanding Pellet Stove, Optional Logset

Design Features

- Large glass size (185 in²)
- Large arched bay door
- Tri-mode enabled thermostat
- Remote thermostat compatible
- Large heat exchanger
- Large, full -pedestal ash pan
- 160 cfm variable speed fan
- Optional log set
- Door and louver trim options
 - Painted Metallic Black, Standard
 - Pewter

Stove Details

BTU Max Input	45,000 BTU
Heating Area	2,000 ft ²
Efficiency	75.8%
Glass Size	185 in ²
EPA Emissions	1.1 g/hr
Hopper Capacity	55 lbs
Stove Dimensions	25"w 25"d 33"h



THE MERIDIAN CAST

MEDIUM+ PELLET STOVE



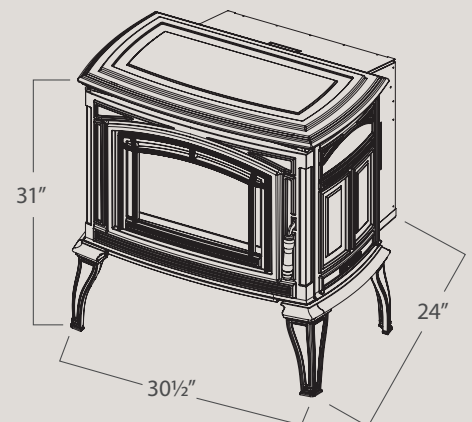
Meridian Cast Iron Freestanding Pellet Stove, Optional Logset

Design Features

- Cast iron construction
- Tri-mode enabled thermostat
- Remote thermostat compatible
- Large heat exchanger
- 160 cfm variable speed fan
- Large Hopper
- Walnut Handle
- Optional log set

Stove Details

BTU Max Input	45,000 BTU
Heating Area	2,000 ft ²
Efficiency	75.8%
Glass Size	138 in ²
EPA Emissions	1.1 g/hr
Hopper Capacity	51 lbs
Stove Dimensions	30½"w 24"d 31"h





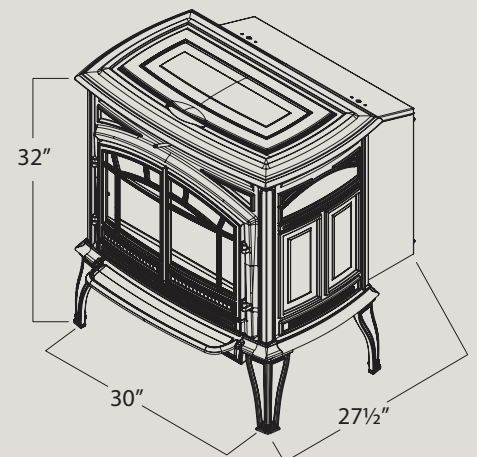
M55 Cast Iron Freestanding Multi-Fuel Pellet Stove, Painted Black

Design Features

- Available in multiple finishes
 - Painted Black
 - Antique Chestnut, Enamel
- Cast iron construction
- Tri-mode enabled thermostat
- Large glass size (231 in²)
- Large hopper capacity (60 lbs)
- Optional brick liner
- Optional log set
- 300 cfm variable speed fan
- Operates with cast doors open or closed

Stove Details

BTU Max Input	55,000 BTU
Heating Area	2,500 ft ²
Efficiency	83.5%
Glass Size	231 in ²
EPA Emissions	1.0 g/hr
Hopper Capacity	60 lbs
Stove Dimensions	30"w 27½"d 32"h



THE M55 STEEL

LARGE MULTI-FUEL PELLET STOVES



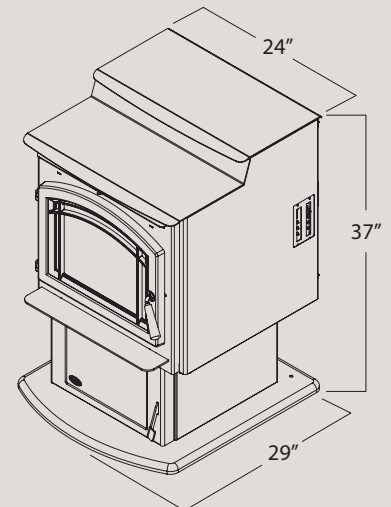
M55 Steel Freestanding Multi-Fuel Pellet Stove

Design Features

- Large Glass Size (185 in²)
- Huge 80 lbs hopper capacity
- Fluted cast iron firebox liner
- Remote thermostat compatible
- Tri-mode enabled thermostat
- Large, full -pedestal ash pan
- Optional brick liner
- Optional log set
- Optional wooden door handle
- Optional hopper extension kit (120lbs.)
- 300 cfm variable speed fan

Stove Details

BTU Max Input	55,000 BTU
Heating Area	2,500 ft ²
Efficiency	83.5%
Glass Size	169 in ²
EPA Emissions	1.0 g/hr
Hopper Capacity	80 lbs
Stove Dimensions	24"w 29"d 37"h





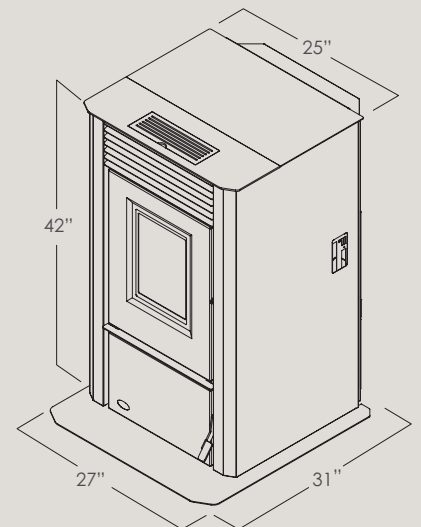
MAXX Freestanding Pellet Stove

Design Features

- Tri-mode operating system
- Large 1320 in² heat exchanger
- Dual chamber ash pan removal
- Automatic controls
- Remote thermostat compatible
- Massive 130 lbs hopper capacity
- Tri-mod enabled thermostat
- 455 cfm variable speed fan
- MAXX-M is multi-fuel compatible

Stove Details

Model	MAXX-M	MAXX
BTU Max Input	60,000 BTU	70,000 BTU
Heating Area	2,500 ft ²	2,700 ft ²
Efficiency	79.5%	86%
Glass Size	117 in ²	117 in ²
EPA Emissions	2.3 g/hr	2.3 g/hr
Hopper Capacity	130 lbs	130 lbs
Stove Dimensions	27"w 31"d 42"h	



FREESTANDING SPECIFICATIONS

Performance Specifications

Model	P3	Mini	Empress	Meridian STEEL	Meridian CAST IRON	M55 CAST IRON	M55 STEEL	MAXX-M	MAXX
BTU Max Input	30,000 BTU	30,000 BTU	35,000 BTU	45,000 BTU	45,000 BTU	55,000 BTU	55,000 BTU	60,000 BTU	70,000 BTU
Heating Area	1,200 ft ²	1,200 ft ²	1,600 ft ²	2,000 ft ²	2,000 ft ²	2,500 ft ²	2,500 ft ²	2,500 ft ²	2,700 ft ²
Efficiency	78%	78%	83.5%	75.8%	75.8%	83.5%	83.5%	79.5%	86%
Glass Size	130 in ²	130 in ²	250 in ²	185 in ²	138 in ²	231 in ²	169 in ²	117 in ²	117 in ²
EPA Emissions	1.6 g/hr	1.6 g/hr	1.7 g/hr	1.1 g/hr	1.1 g/hr	1.0 g/hr	1.0 g/hr	2.3 g/hr	2.3 g/hr
Hopper Capacity	55 lbs	48 lbs	55 lbs	55 lbs	51 lbs	60 lbs	80 lbs	130 lbs	130 lbs
Weight	238 lbs	230 lbs	230 lbs	273 lbs	390 lbs	480 lbs	300 lbs	325 lbs	325 lbs
Convection Fan	130 CFM	130 CFM	105 CFM	160 CFM	160 CFM	300 CFM	300 CFM	455 CFM	455 CFM

Stove Dimensions*

Model	P3	Mini	Empress	Meridian STEEL	Meridian CAST IRON	M55 CAST IRON	M55 STEEL	MAXX-M	MAXX
Stove Width	20½"	18"	26"	25"	30½"	30"	24"	27"	27"
Stove Height	34"	34"	27"	33"	31"	32"	37"	42"	42"
Stove Depth	24"	20"	26"	25"	24"	27½"	29"	31"	31"

Clearance to Combustibles*

Model	P3	Mini	Empress	Meridian STEEL	Meridian CAST IRON	M55 CAST IRON	M55 STEEL	MAXX-M	MAXX
Min. distance to the stove's sides	8"	8"	8"	6"	6"	6"	12"	12"	12"
Min. distance behind the stove	4"	4"	3"	3"	3"	3"	3"	4"	4"
Min. distance above the stove	48"	48"	48"	48"	48"	48"	48"	48"	48"
Min. distance corner to wall	3"	3"	3"	2"	2"	3"	3"	4"	4"

* Refer to your owners manual for detailed measurements.



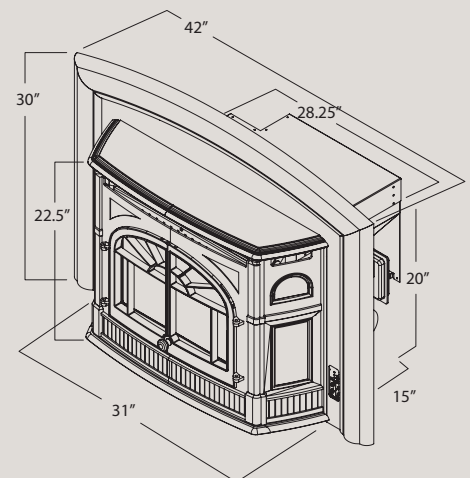
Empress Pellet Fireplace Insert, Cast Iron, Painted Black

Design Features

- Cast iron construction
- Adjustable hopper height
- Large viewing area 250 in²
- Shallow front extension
- Tri-mode enabled thermostat
- Optional log set
- 160 cfm variable speed fan
- Operates with cast doors open or closed
- Available in multiple finishes
 - Painted Metallic Black
 - Antique Chestnut, Enamel

Fireplace Details

BTU Max Input	34,000 BTU
Heating Area	1,500 ft ²
Efficiency	83.1%
Glass Size	250 in ²
EPA Emissions	1.3 g/hr
Hopper Capacity	55 lbs
Install Dimensions	28.25"w 15"d 20"h



THE MILAN

MEDIUM PELLET INSERT



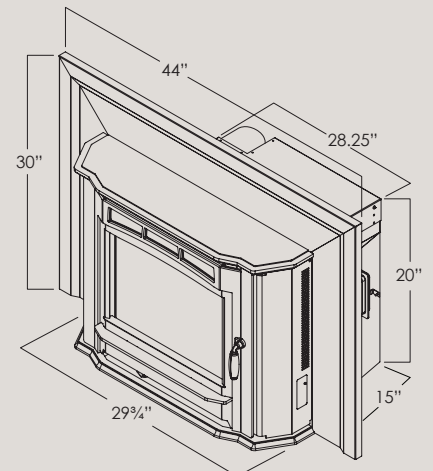
Milan Pellet Fireplace Insert

Design Features

- Large viewing area (249 sq. in.)
- Cast iron heat exchanger
- Cast iron firebox liner
- Optional outside combustion blower kit
- Modern design
- Optional log set
- Quiet convection system
- Formed steel surround panel
- Tri-mode enabled thermostat
- 160 cfm variable speed fan

Fireplace Details

BTU Max Input	34,000 BTU
Heating Area	1,500 ft ²
Efficiency	83%
Glass Size	250 in ²
EPA Emissions	1.3 g/hr
Hopper Capacity	55 lbs
Install Dimensions	28.25"w 15"d 20"h





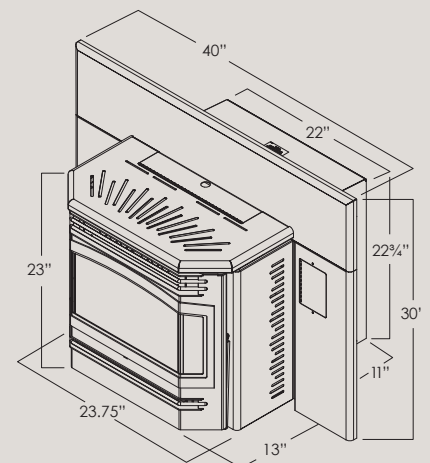
Meridian Pellet Fireplace Insert, Pewter Door, Pewter Trim, Standard Surround

Design Features

- Large arched bay door
- Remote control compatible
- Large heat exchanger
- Optional log set
- Zero-clearance compatible
- Tri-mode enabled thermostat
- 160 cfm variable speed fan
- Door and louver trim options
 - Painted Metallic Black, Standard
 - Pewter

Fireplace Details

BTU Max Input	45,000 BTU
Heating Area	2,000 ft ²
Efficiency	75.8%
Glass Size	185 in ²
EPA Emissions	1.1 g/hr
Hopper Capacity	55 lbs
Install Dimensions	22" w 11" d 22 ³ / ₄ " h



THE M55 CAST

LARGE MULTI-FUEL PELLET INSERT



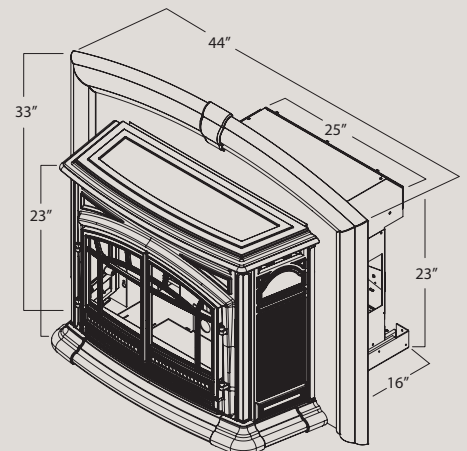
M55 Cast Iron Multi Fuel Fireplace Insert, Painted Black

Design Features

- Cast iron construction
- Large glass size (231 in²)
- Multi-fuel compatible
- Air wash system for cleaner glass
- 300 cfm variable speed fan
- Operates with cast doors open or closed
- Optional log set
- Optional service rail kit
- Optional zero-clearance kit
- Available in multiple finishes
 - Painted Metallic Black
 - Antique Chestnut, Enamel

Fireplace Details

BTU Max Input	55,000 BTU
Heating Area	2,500 ft ²
Efficiency	83.5%
Glass Size	231 in ²
EPA Emissions	1.0 g/hr
Hopper Capacity	60 lbs
Install Dimensions	25"w 16"d 23"h



Performance Specifications

Model	Empress	Milan	Meridian	M55 Cast
BTU Max Input	34,000 BTU	34,000 BTU	45,000 BTU	55,000 BTU
Heating Area	1,500 ft ²	1,500 ft ²	2,000 ft ²	2,500 ft ²
Efficiency	83.1%	83%	75.8%	83.5%
Glass Size	250 in ²	250 in ²	185 in ²	231 in ²
EPA Emissions	1.3 g/hr	1.3 g/hr	1.1 g/hr	1.0 g/hr
Hopper Capacity	55 lbs	55 lbs	55 lbs	60 lbs
Convection Fan	160 CFM	160 CFM	160 CFM	200 CFM

Minimum Installation Dimensions*

Model	Empress	Milan	Meridian	M55 Cast
Width	28.25"	28.25"	22"	25"
Height	20"	20"	22 ³ / ₄ "	23"
Depth	15"	15"	11"	16"

Clearance to Combustibles*

Model	Empress	Milan	Meridian	M55 Cast
Center of unit to side wall	24"	24"	20"	24"
Bottom of unit to bottom of 12" mantle	36"	36"	29 ¹ / ₂ "	33"
Bottom to max. ³ / ₄ " combustible facing	0"	0"	8"	0"
Side of unit to side facing	0"	0"	8"	0"
Door to edge of floor protection	6"	6"	6"	6"
Side of unit to side of floor protection	6" (8" CDN)	6"	6"	6"

* Refer to your owners manual for detailed measurements.

Learn more about
your dream stove or fireplace at

enviro.com

- *Youtube Burn Videos*
- *Detailed Product lineup*
- *Fireplace Photo Galleries*
- *Unit Comparison Charts*
- *Downloadable Manuals*
- *Online Brochures*

