



# 2015

---

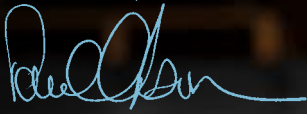
GAS & WOOD



## PAUL ERICKSON

On behalf of Pacific Energy, I would like to thank you for your interest in our company and our products. Every one of us is dedicated to providing you with superbly crafted heating products that we hope will be the centerpiece of your home.

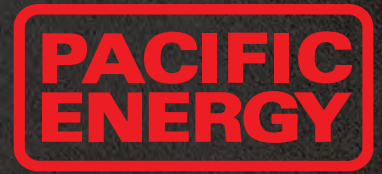
Thanks to superior engineering, the highest quality materials, and a relentless attention to detail, Pacific Energy products should provide warmth, comfort and pleasure for a lifetime, in fact, I guarantee that they will.



CEO & FOUNDER



# PASSION FOR INNOVATION



For over 35 years our mission has been to design and develop cleaner, more efficient, beautiful fireplace heating solutions for your home.

We are relentless innovators with a tradition for challenging conventions and overturning traditional assumptions. In fact, many of our inventions have become standards throughout our industry.

Our dedicated team of engineers and craftspeople continue to improve on the state-of-the-art for cleaner, longer-burning, environmentally-responsible woodburning fireplaces, and energy-efficient, aesthetically-pleasing gas fireplaces.

We are proud of what we do, and it shows.

## COMPANY

Crafted in North America .....	3
Innovating Beauty .....	4
Environment .....	112
Commitment .....	113
Gas Clearances .....	106
Wood Clearances .....	107

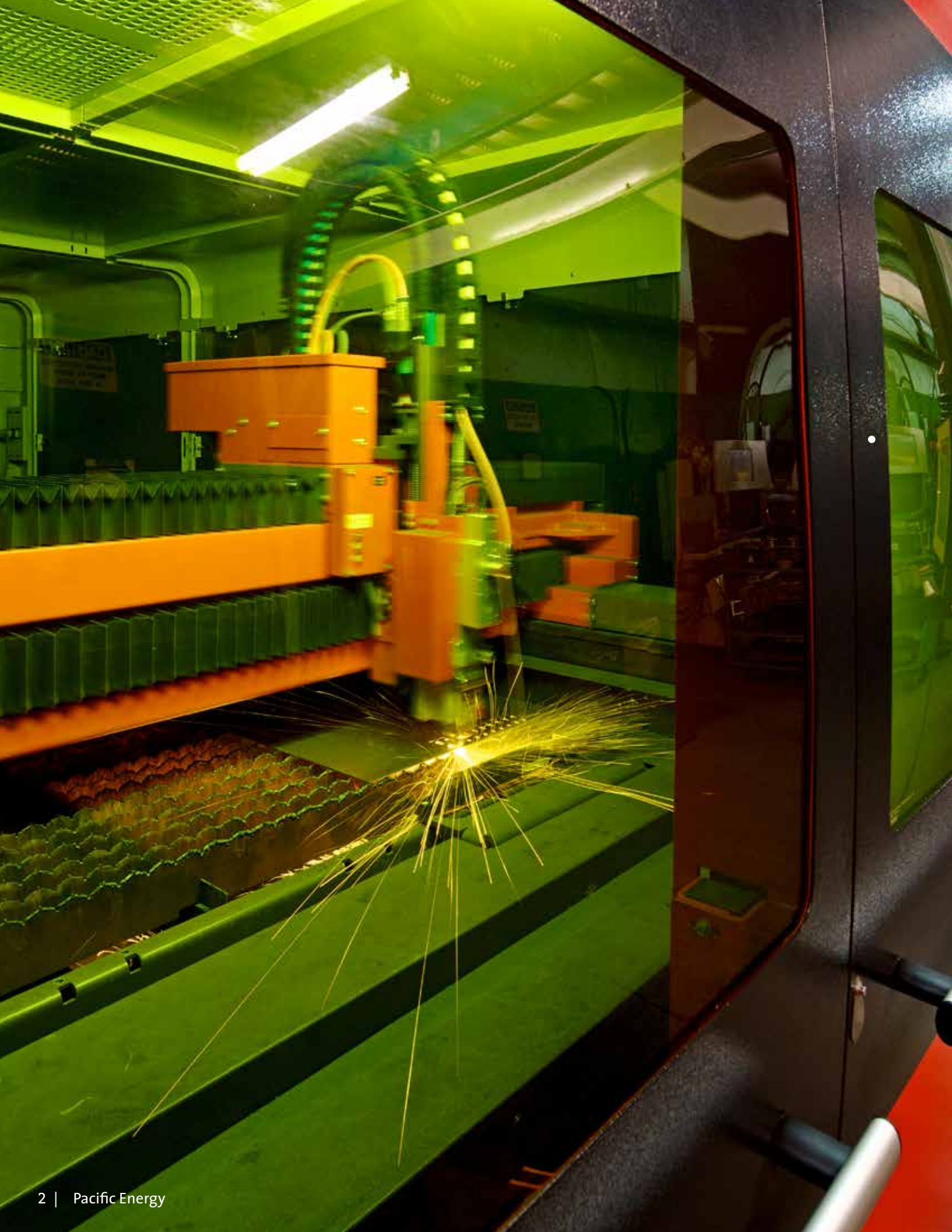
## GAS

Introduction .....	6
Design .....	8
Safety .....	8
Efficiency .....	9
Model Selector .....	10
Design-A-Fire .....	10
Freestanding Stoves .....	12
Linear Fireplace .....	18
Flush Inserts .....	20
Contemporary Inserts .....	24
Flush Fireplaces .....	28
Contemporary Fireplaces .....	32

## WOOD

Introduction .....	36
Baffle System .....	38
Air Wash .....	39
Floating Firebox .....	40
EBT2 .....	41
Single Lever Air Control .....	42
Self-Sealing Ash Dump .....	42
Knife Edge Door .....	43
Cast Iron Over Steel .....	44
Heat Distribution System .....	45
Design-A-Fire .....	46
Model Selector .....	48
Freestanding Stoves .....	52
Inserts .....	80
Fireplaces .....	92

For reference only. Installations should be based on installation manuals. Specifications subject to change.



# CRAFTED IN NORTH AMERICA

**WITH PRECISION  
AND SOUL**

We are based in the Pacific Northwest; a region with a long, proud heritage of wood products and wood heating. We manufacture all of our products here using the highest quality North American components whenever possible. Our experience has proven that premium products such as ours require the quality and long-term reliability that comes from trusted suppliers.

We maintain a full-time, non-seasonal staff of highly trained experienced craftspeople—in fact, Pacific Energy employees have an average of 20 years of experience with the company. This ensures uncompromising quality and consistency, from component parts through manufacture, and gives us the confidence to back our products with a limited lifetime warranty.



For reference only. Installations should be based on installation manuals. Specifications subject to change.

# INNOVATING BEAUTY

Pacific Energy has perfected a porcelain enamel finish that fuses with steel to create an inseparable bond with the flexibility and firmness of metal and the glossy hardness of glass. By inserting the components into our in-house flow-through furnace where temperatures exceed 1500 degrees Fahrenheit, the steel and enamel bind to create a new compound – Porcelain Steel.

Providing everlasting luster and beauty over the lifetime of your stove, Porcelain Steel colors will not fade with time despite intense heat, sunlight and household cleaners.

**A CLEAN, GREEN CHOICE  
CRAFTED IN-HOUSE**





For reference only. Installation, availability, and specifications are subject to change.





# GAS

## FREESTANDING STOVES FIREPLACE INSERTS FIREPLACES

Experience the ultimate in comfort and warmth with the Pacific Energy Gas Collection. Superbly engineered for performance and efficiency, the Pacific Energy gas collection has a perfect solution for your new home construction, renovation, or transformation of an existing masonry fireplace.

Each stove, fireplace and insert utilizes large aluminum heat exchangers for maximum heat and energy efficiency and come standard with one-touch programmable remote controls to provide quick, easy control over heat for added energy savings. Even at the lowest settings, flames are appealingly rich and full to gently warm the room.

For reference only. Installations should be based on installation manuals. Specifications subject to change.



# DESIGN

## FREESTANDING STOVES

Mirage freestanding stoves combine contemporary design with powerful heating performance. Both component quality and construction ensure quiet, trouble-free operation, and integrated micro-mesh safety screens provide a near-invisible safety barrier.

These highly-efficient gas stoves are elegant showpieces that you can customize to suit the most discerning taste.

With Pacific Energy's Design-A-Fire of system of interchangeable components, the Mirage is available with cladding in a variety of porcelain enamel colours and your choice of tumbled glass or log burner.



## FIREPLACES & INSERTS

Precision engineering and top quality components deliver trouble-free, efficient heat into your home. During the manufacturing process, our innovative cinching technology creates an airtight firebox. Though labour intensive, we believe it is the best way to assemble a heater rated gas firebox for safety and quiet operation.

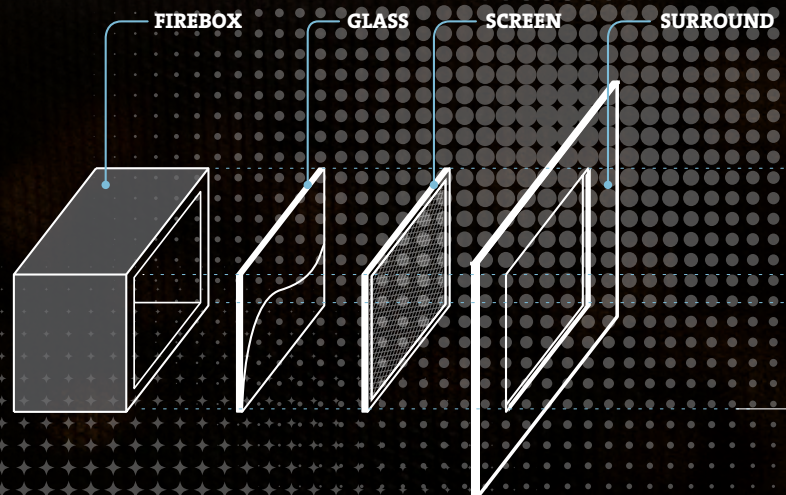
Once you choose the right model to heat your home, you can customize interior and burner options to create a fireplace that complements and highlights your living space. Each gas fireplace and insert features a clear, wide expanse of flame behind low-glare glass with uniquely integrated stainless steel micro-mesh safety screens allowing full enjoyment of the flame and peace of mind.



# SAFETY

When designing any heat source, safety is always at the forefront. We believe that with today's advanced technologies and materials, there's no need to compromise aesthetics for safety; all gas units feature an integrated micro-mesh screen that creates a virtually invisible safety barrier. Fine woven black stainless steel reduces filtering of radiant heat, providing improved radiant efficiency while allowing a clear, unobstructed view of the flame.

Other safety features include fine mesh filters to remove debris from the fuel and state of the art pressure relief systems.





# EFFICIENCY

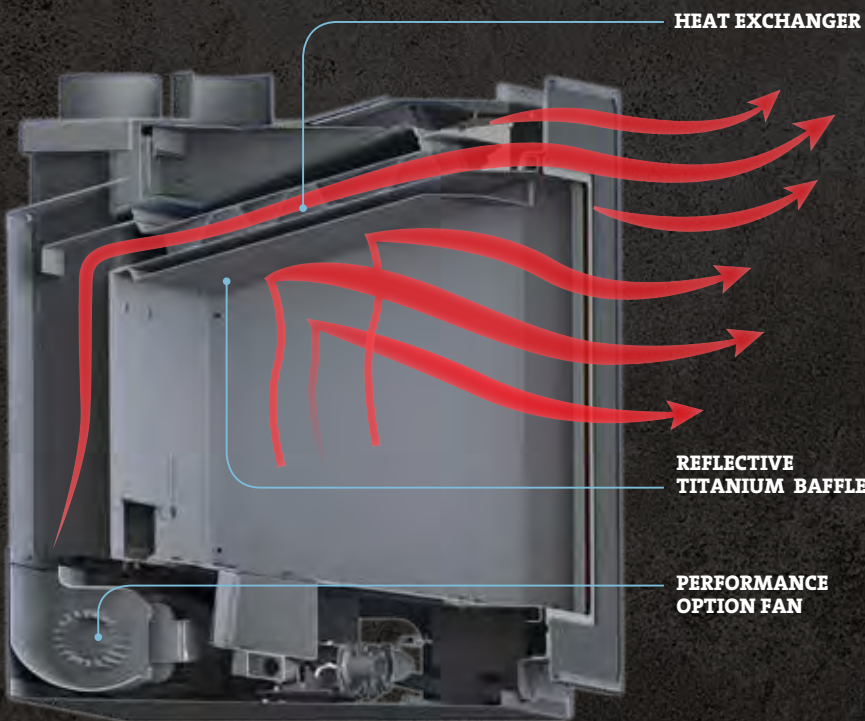
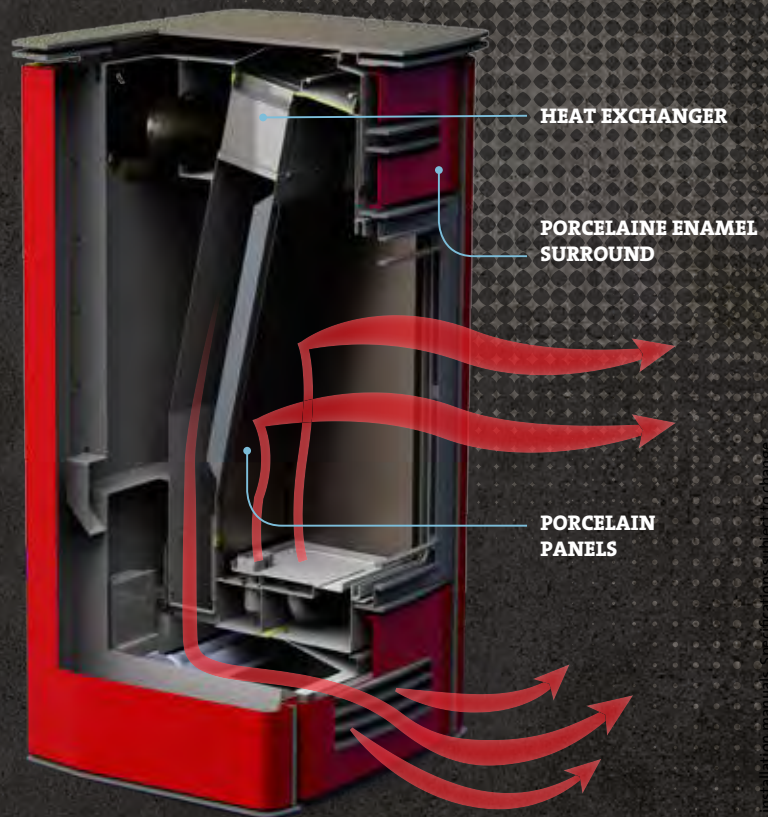
## FREESTANDING STOVES

Mirage stoves represent the leading edge of free-standing design. Beautifully clad in lustrous porcelain enamel, inside each Mirage is a powerful engine. Large aluminum-finned heat exchangers result in high performance heating efficiency while highly reflective titanium porcelain baffles and interior panels increase temperature convection.

Ground level convection output provides optimum air circulation and heat distribution. Heat output and flame height are variable, allowing complete control over heating, comfort, and appearance.



**LARGE FORMED ALUMINUM-FINDED HEAT EXCHANGERS RESULT IN HIGH PERFORMANCE HEATING EFFICIENCY**



## INSERTS & FIREPLACES

Behind the legendary performance of Pacific Energy fireplaces lies craftsmanship, experience and next-generation technology. Highly reflective titanium porcelain baffles radiate heat, helping create the next generation efficiency.

Large, aluminum-finned heat exchangers maximize heat convection, and an optional dealer-installed fan distribute heat throughout your living space. Heat output and flame are variable, allowing complete control over heating, comfort, and appearance.

Performance only installations should be based on installation manuals. Specifications subject to change.

**FREESTANDING STOVES**



**TRENTON** .....12



**MIRAGE 18** .....14

**FIREPLACE INSERTS**



**BROADWAY** ..... 24



Louvered



Contoured

**BRISTOL** .....20

**LINEAR FIREPLACES**



**ESTEEM** .....32



Louvered



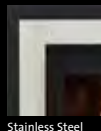
Contoured

**CASCO** ..... 28

**FIREPLACES**

**SURROUNDS**

CONTEMPORARY SERIES



Stainless Steel



Black

FLUSH SERIES



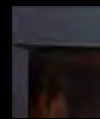
Louvered Grey



Contoured Grey



Louvered Black



Contoured Black



Flat Surround for contoured and louvered



Beveled Surround for Louver front only



What is Design-A-Fire?  
 It's choice. It's a selection of interchangeable components that allow you to customize your fireplace experience and create the exact combination of color, finish, and detail to perfectly enhance your home.



MIRAGE 30 .....16



BRENTWOOD ..... 26



BEDFORD .....



Contoured

..... 22



Contemporary



Louvered

ESPRIT .....

..... 18



ESTATE ..... 34



Louvered

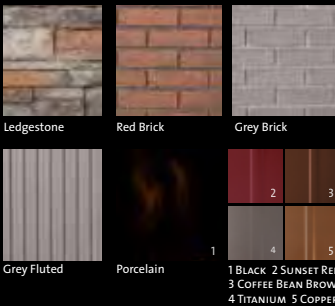


Contoured

CAMDEN .....

..... 30

**FIREBOX PANELS**



**BURNERS**

Logset Burners



Standard Logset Burner



Premium Rustic Logset Burner

Glass Burner



Grey Optional Rockset

Black Optional Rockset



Desert

Twilight

Pacific

Black



Trenton stoves feature two direct venting options: vent straight from the back of the unit through an exterior wall or up vertically and then out.

# TRENTON

## TRENTON CLASSIC

**FREESTANDING CAST IRON GAS STOVE**  
FOR SMALL TO MEDIUM SPACES

Natural Gas

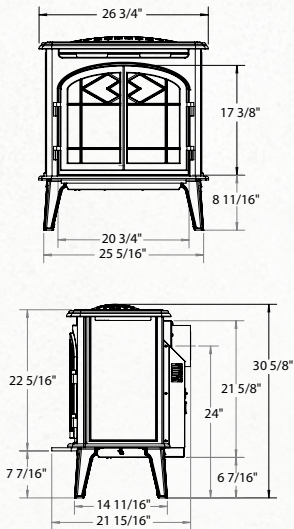
# 24,000 BTU

24,000 BTU Liquid Propane

P.4 EFFICIENCY NG	74.4%
P.4 EFFICIENCY LP	74.4%
AFUE	73%
GLASS SIZE	340 SQ.IN.

An exceptional performer with classic good looks, the Trenton cast iron freestanding gas stove combines allure of traditional design with today's modern gas technology. Heavy cast iron retains and evenly distributes heat from the top and sides of the stove, providing even, constant heat throughout the room. Decorative doors swing open to reveal an unobstructed window of full, rich flames over a stacked logset. The gentle play of fire is further reflected across the backdrop of lustrous titanium porcelain enamel interior panels, enhancing the dramatic play of flames within the firebox.

In keeping with the timeless elegance of cast iron, the Trenton is available in a palette of traditional finishes: painted Metallic Black or porcelain enamel in Antique White and Majolica Brown.



TRENTON



TRENTON CLASSIC

### FEATURES

- Direct Vent Technology
- SIT Pro Flame 2 valve
- Full Flames
- Integrated Micro-Mesh Safety Screen
- Aluminum finned firebox
- 50% Turn Down
- Preassembled Interior with Titanium Porcelain Panels and Mature Fire Logset
- 2 x 80 CFM blowers
- Floor illumination
- Standard Remote Control
- Rear Vent
- Minimal Vertical Venting
- Leveling Legs

### DESIGN OPTIONS

- Available in three finishes: Metallic Black Cast Iron, Majolica Porcelain Enamel, and Antique White Porcelain Enamel

**CAST IRON OVER STEEL**

**DESIGN**

**EFFICIENCY**

**SAFETY**

**DESIGN-A-FIRE**  
A SYSTEM BY PACIFIC ENERGY

METALLIC BLACK

MAJOLICA

ANTIQUÉ WHITE

For reference only. Installations should be based on installation manuals. Specifications subject to change.





**FREESTANDING GAS STOVE**  
FOR SMALL TO MEDIUM SPACES

# MIRAGE 18

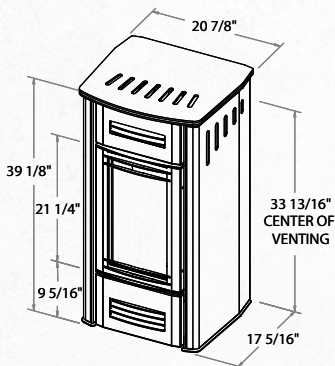
Natural Gas

## 18,000 BTU

18,000 BTU Liquid Propane

P.4 EFFICIENCY NG	70.4%
P.4 EFFICIENCY LP	70.4%
AFUE	72%
GLASS SIZE	180 SQ.IN.

Inside and out, the Mirage 18 is engineered to provide powerful, efficient heat for your home. Large aluminum-finned heat exchangers result in high performance heating efficiency while highly reflective titanium porcelain baffles and insulated interior firebox panels maximize temperature convection. A unique ground level convection output provides optimum air circulation and heat distribution. As the hot air rises and circulates, it creates a consistent floor-to-ceiling temperature zone. Standard features include one-touch programmable remote controls to simplify operation; heat output and flame height is variable, allowing complete control over heating, comfort, and appearance.



For reference only. Installations should be based on installation manuals. Specifications subject to change.

### AVAILABLE BURNERS



### FEATURES

- Direct Vent Technology
- SIT Pro Flame 2 valve
- Full Flames
- Ground Level Heat Output
- High-Efficiency Heat Exchanger with Aluminum Fins
- Black Porcelain interior panels
- 110 CFM Blower
- Integrated Micro-Mesh Safety Screen
- Standard Remote Control
- Minimal Vertical Venting
- Leveling Legs

### DESIGN OPTIONS

- Design-A-Fire
- Porcelain Steel Cladding in 4 colour options
- Burner: Logset or Glass

 **DESIGN**

 **EFFICIENCY**

 **SAFETY**

 **DESIGN-A-FIRE**  
A SYSTEM BY PACIFIC ENERGY

EBONY

IVORY

SUNSET RED

TITANIUM



**FREESTANDING GAS STOVE**  
FOR MEDIUM TO LARGE SPACES

# MIRAGE 30

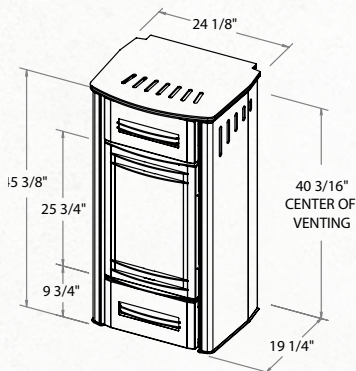
Natural Gas

## 30,000 BTU

26,000 BTU Liquid Propane

P.4 EFFICIENCY NG	69.8%
P.4 EFFICIENCY LP	71.0%
AFUE	75%
GLASS SIZE	275 SQ.IN.

The Mirage 30 represents the leading edge of freestanding design for larger spaces. Beautifully clad in lustrous porcelain enamel, inside each Mirage is a powerful engine. Large formed aluminum-finned heat exchangers result in high performance heating efficiency while highly reflective titanium porcelain baffles, and insulated interior firebox panels, maximize temperature convection. And because hot air rises, it makes sense to force hot air from the bottom of the stove rather than the top like conventional systems do. Thanks to a unique floor-level heat output system, you can maintain an ideal temperature from floor to ceiling. One-touch programmable remote controls simplify operation; heat output and flame height are variable, allowing complete control over heating, comfort, and appearance.



For reference only. Installations should be based on installation manuals. Specifications subject to change.

### AVAILABLE BURNERS



### FEATURES

- Direct Vent Technology
- SIT Pro Flame 2 valve
- Full Flames
- Ground Level Heat Output
- High-Efficiency Heat Exchanger with Aluminum Fins
- Black Porcelain interior panels
- 110 CFM Blower
- Integrated Micro-Mesh Safety Screen
- Standard Remote Control
- Minimal Vertical Venting
- Leveling Legs

### DESIGN OPTIONS

- Design-A-Fire
- Porcelain Steel Cladding in 4 colour options
- Burner: Logset or Glass

 **DESIGN**

 **EFFICIENCY**

 **SAFETY**

 **DESIGN-A-FIRE**  
A SYSTEM BY PACIFIC ENERGY

EBONY

IVORY

SUNSET RED

TITANIUM



**AVAILABLE SURROUNDS**



Louvered – Matte Black



Louvered – Gunmetal Grey

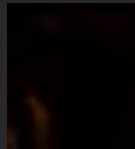


Contemporary  
Stainless Steel



Contemporary  
Matte Black

**AVAILABLE FIREBOX PANELS**



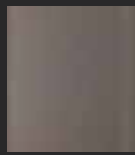
Black Porcelain



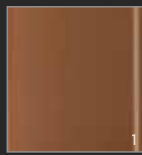
Red Porcelain



Coffee Bean  
Brown Porcelain



Titanium Porcelain



Copper Porcelain

**AVAILABLE BURNERS**



Glass Burner



Driftwood Burner

**LINEAR GAS FIREPLACE**  
FOR MEDIUM TO LARGE SPACES

# ESPRIT

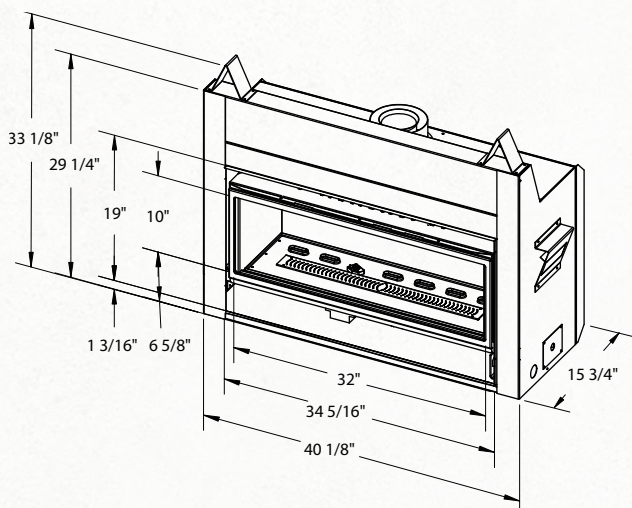
Natural Gas

## 30,000 BTU

26,000 BTU Liquid Propane

P.4 EFFICIENCY NG	72.1%
P.4 EFFICIENCY LP	73.8%
AFUE	75%
GLASS SIZE	320 SQ.IN.

The Esprit linear gas fireplace offers Pacific Energy's highest level of quality, technical innovation, and engineering in a modern landscape. For maximum heat and ultimate energy efficiency, the Esprit utilizes large formed steel heat exchangers and standard one-touch programmable remote controls to provide quick, easy control over heat and added energy savings. Even at the lowest settings, flames are appealingly rich and full to gently warm the room.



### STANDARD FEATURES

- Direct vent technology
- SIT Pro Flame 2 valve
- High-efficiency heat exchanger with aluminum fins
- Integrated micro-mesh safety screen
- Standard remote control
- Variable-speed blower

### DESIGN OPTIONS

- Design-A-Fire
- Interior: porcelain enamel in five colors
- Burner: logset or glass (with or without river rock)
- Surround: contemporary or louvered
- Contemporary Surround 42 1/4" (W) x 22 1/2" (H)
- Louvered Surround 37" (W) x 21 1/2" (H)

 **DESIGN**

 **EFFICIENCY**

 **SAFETY**

 **DESIGN-A-FIRE**  
A SYSTEM BY PACIFIC ENERGY

For reference only. Installations should be based on installation manuals. Specifications subject to change.



**AVAILABLE SURROUNDS**



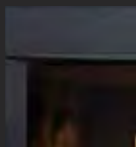
Louvered Grey



Louvered Black

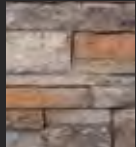


Contoured Grey



Contoured Black

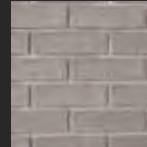
**AVAILABLE FIREBOX PANELS**



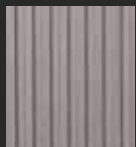
Ledgestone



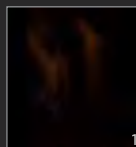
Red Brick



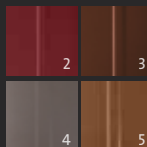
Grey Brick



Grey Fluted



Porcelain



1 BLACK 2 SUNSET RED  
3 COFFEE BEAN BROWN  
4 TITANIUM 5 COPPER

**AVAILABLE BURNERS**



Glass Burner



Standard Logset Burner



Premium Rustic Logset Burner

# BRISTOL

**GAS INSERT**  
FOR SMALL TO MEDIUM SPACES

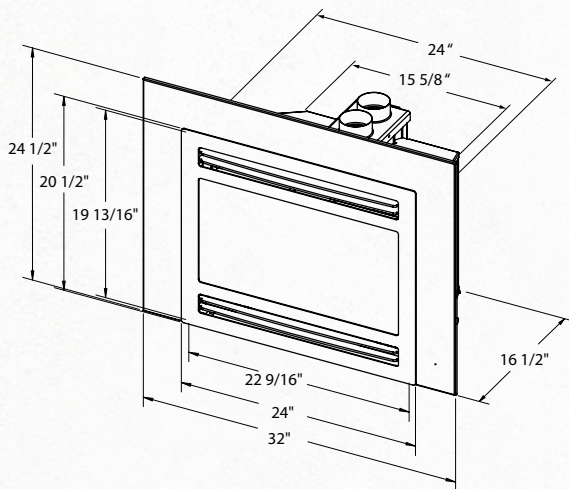
Natural Gas

## 18,000 BTU

17,000 BTU Liquid Propane

P.4 EFFICIENCY NG	72.7%
P.4 EFFICIENCY LP	75%
AFUE	75%
GLASS SIZE	198 SQ.IN.

The Bristol distinguishes itself as the perfect solution for a fireplace needing a smaller, low profile gas insert. Sitting flush, this small gas insert offers outstanding performance, easy-to-control heat, and cost saving efficiency. Richly finished in gunmetal grey or matte black, the Bristol's surround choices add a new level of design control. Choose the traditional louvered surround or the pared-down aesthetic of the contour surround – both offering a unique view of the flame.



For reference only. Installations should be based on installation manuals. Specifications subject to change.

### STANDARD FEATURES

- Direct vent technology
- SIT Pro Flame 2 valve
- High-efficiency heat exchanger with aluminum fins
- Integrated micro-mesh safety screen
- Standard remote control
- Variable-speed blower

### DESIGN OPTIONS

- Design-A-Fire
- Interior: brick, stone or porcelain enamel
- Burner: logset or glass (with or without river rock)
- Surround: ,louvered, contoured
- Regular Surround 32"(W) x 24 1/2"(H)
- Oversize Surround 40" (W) x 27 9/16" (H)
- Beveled Surround 32"(W) x 24 1/2"(H)

 **DESIGN**

 **EFFICIENCY**

 **SAFETY**

 **DESIGN-A-FIRE**  
A SYSTEM BY PACIFIC ENERGY



**AVAILABLE SURROUNDS**



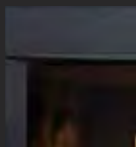
Louvered Grey



Louvered Black

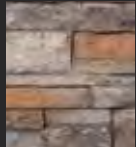


Contoured Grey

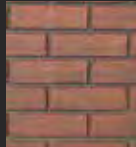


Contoured Black

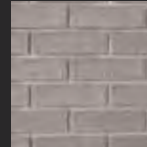
**AVAILABLE FIREBOX PANELS**



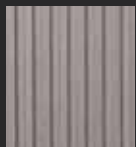
Ledge stone



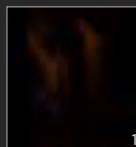
Red Brick



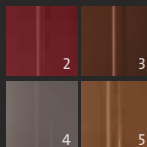
Grey Brick



Grey Fluted



Porcelain



1 BLACK 2 SUNSET RED  
3 COFFEE BEAN BROWN  
4 TITANIUM 5 COPPER

**AVAILABLE BURNERS**



Glass Burner



Standard Logset Burner



Premium Rustic Logset Burner



# BEDFORD

**GAS INSERT**  
FOR MEDIUM TO LARGE SPACES

Natural Gas

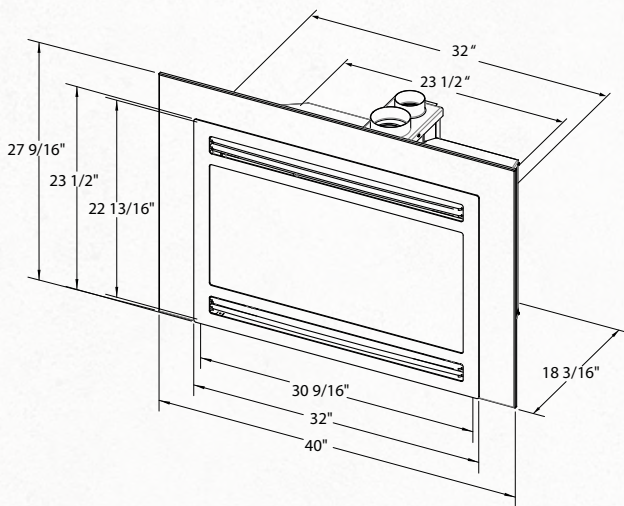
## 30,000 BTU

26,000 BTU Liquid Propane

P.4 EFFICIENCY NG	74.4%
P.4 EFFICIENCY LP	76.6%
AFUE	76%
GLASS SIZE	430 SQ.IN.

Warm every corner of the room with Bedford gas insert. This large insert is an outstanding performer with practical motivations: to deliver efficient heat and a large viewing area of the flame.

Richly finished in gunmetal grey or matte black, the Bedford surround choices offer added design control. Choose the traditional louvered surround or the pared-down aesthetic of the contour surround to give your home a unique view of the flame.



For reference only. Installations should be based on installation manuals. Specifications subject to change.

### STANDARD FEATURES

- Direct vent technology
- SIT Pro Flame 2 valve
- High-efficiency heat exchanger with aluminum fins
- Integrated micro-mesh safety screen
- Standard remote control
- Variable-speed blower

### DESIGN OPTIONS

- Design-A-Fire
- Interior: brick, stone or porcelain enamel
- Burner: logset or glass (with or without river rock)
- Surround: louvered, contoured
- Regular Surround 40" (W) x 27 1/2" (H)
- Oversize Surround 48" (W) x 30 1/2" (H)
- Beveled Surround 40" (W) x 27 1/2" (H)

 DESIGN

 EFFICIENCY

 SAFETY

 DESIGN-A-FIRE  
A SYSTEM BY PACIFIC ENERGY



**AVAILABLE SURROUNDS**

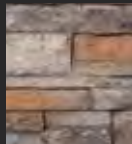


Contemporary

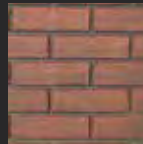


Contemporary  
Stainless Steel

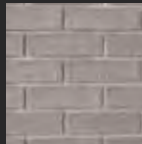
**AVAILABLE FIREBOX PANELS**



Ledgestone



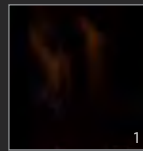
Red Brick



Grey Brick



Grey Fluted



Porcelain



1 BLACK 2 SUNSET RED  
3 COFFEE BEAN BROWN  
4 TITANIUM 5 COPPER

**AVAILABLE BURNERS**



Glass Burner



Standard Logset Burner



Premium Rustic Logset Burner

# BROADWAY

**GAS INSERT**  
FOR SMALL TO MEDIUM SPACES

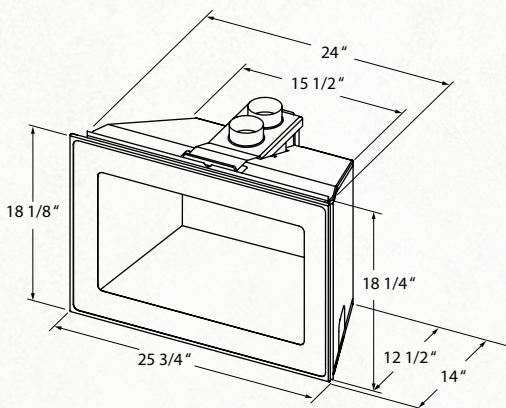
Natural Gas

## 18,000 BTU

17,000 BTU Liquid Propane

P.4 EFFICIENCY NG	72.7%
P.4 EFFICIENCY LP	75%
AFUE	76%
GLASS SIZE	198 SQ.IN.

Come home to a great performance. Designed for smaller spaces and installation versatility, the Broadway is a powerful and efficient source of heat. Enjoy the expansive viewing area of the rich full flames and easy-to-control heat distribution in the room. Taking form, the bold clean line of the two-layer surround subtly lends the fire into the room. Choose an all black surround combination or accent the fireplace wall with a layer of stainless steel.



For reference only. Installations should be based on installation manuals. Specifications subject to change.

### STANDARD FEATURES

- Direct vent technology
- SIT Pro Flame 2 valve
- High-efficiency heat exchanger with aluminum fins
- Integrated micro-mesh safety screen
- Standard remote control
- Variable-speed blower

### DESIGN OPTIONS

- Design-A-Fire
- Surrounds available in Metallic Black, or Metallic Black with Stainless Steel accent
- Interior: brick, stone or porcelain enamel
- Burner: logset or glass (with or without river rock)
- Regular Surround 37 7/8" (W) x 27" (H)
- Oversize Surround 45 7/8" (W) x 31" (H)

 **DESIGN**

 **EFFICIENCY**

 **SAFETY**

 **DESIGN-A-FIRE**  
A SYSTEM BY PACIFIC ENERGY



**AVAILABLE SURROUNDS**

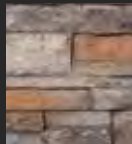


Contemporary



Contemporary  
Stainless Steel

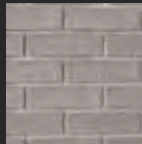
**AVAILABLE FIREBOX PANELS**



Ledgestone



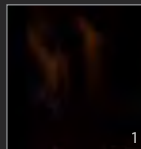
Red Brick



Grey Brick



Grey Fluted



Porcelain



1 BLACK 2 SUNSET RED  
3 COFFEE BEAN BROWN  
4 TITANIUM 5 COPPER

**AVAILABLE BURNERS**



Glass Burner



Standard Logset Burner



Premium Rustic Logset Burner

# BRENTWOOD

**GAS INSERT**  
FOR MEDIUM TO LARGE SPACES

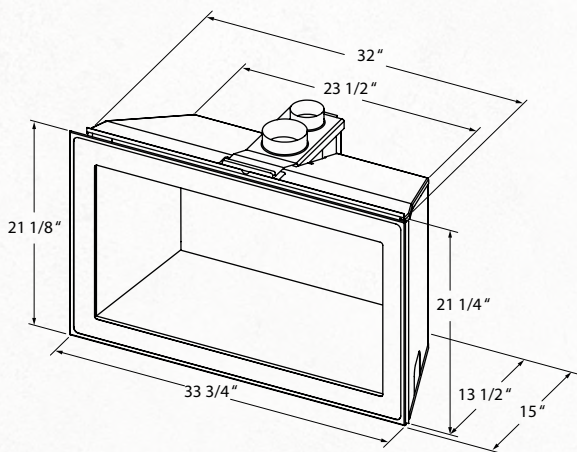
Natural Gas

## 30,000 BTU

26,000 BTU Liquid Propane

P.4 EFFICIENCY NG	74.4%
P.4 EFFICIENCY LP	76.6%
AFUE	76%
GLASS SIZE	430 SQ.IN.

Room for more? The Brentwood fireplace insert makes a great choice when you need to heat a larger space. Offering a large window of flames and high performance energy efficiency, the Brentwood makes a striking effect with a two-layer surround subtly lending the fire into the room. Choose an all black surround combination or accent the fireplace wall with a layer of stainless steel.



For reference only. Installations should be based on installation manuals. Specifications subject to change.

### STANDARD FEATURES

- Direct vent technology
- SIT Pro Flame 2 valve
- High-efficiency heat exchanger with aluminum fins
- Integrated micro-mesh safety screen
- Standard remote control
- Variable-speed blower

### DESIGN OPTIONS

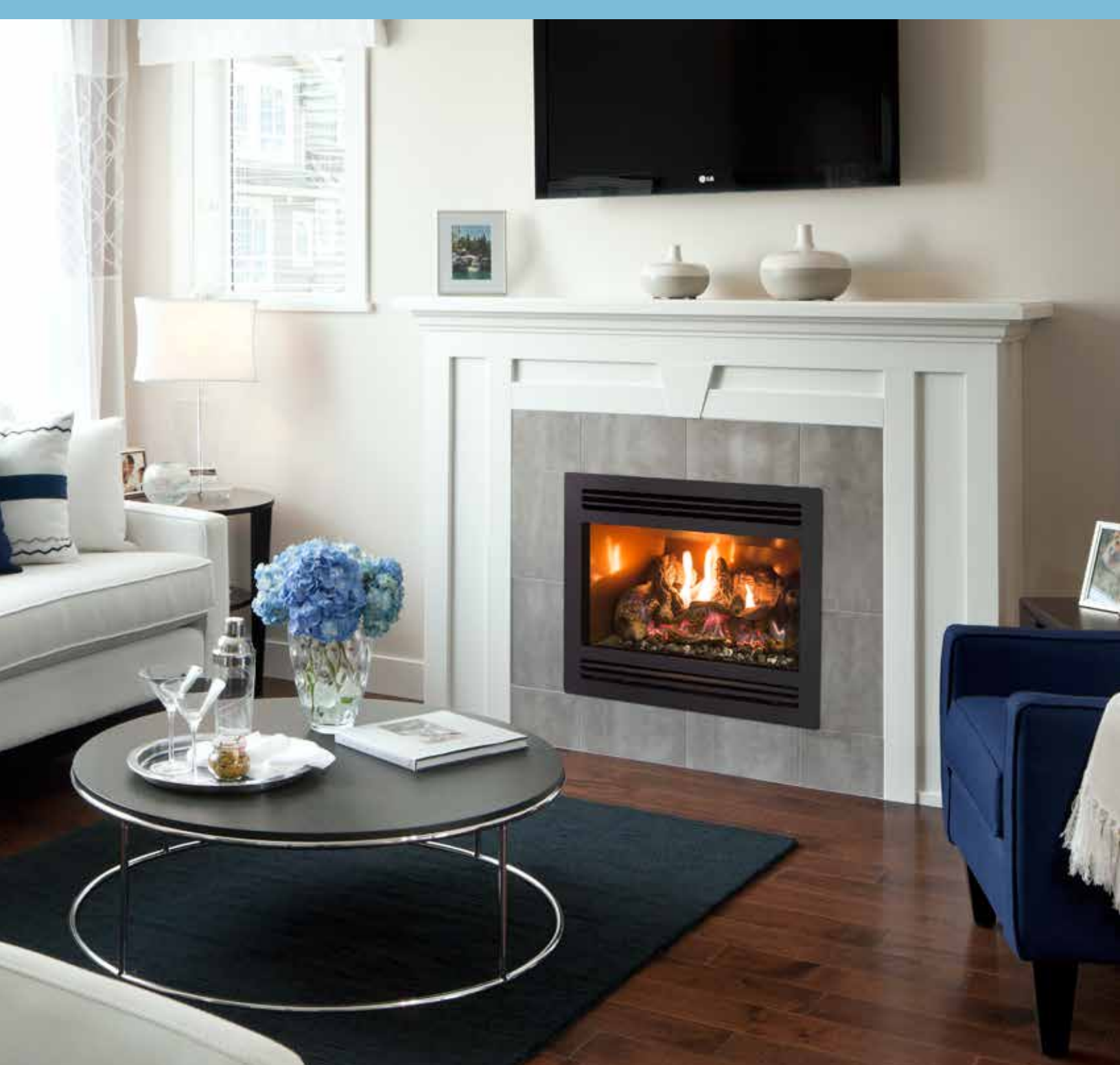
- Design-A-Fire
- Surrounds available in Metallic Black, or Metallic Black with Stainless Steel accent
- Interior: brick, stone or porcelain enamel
- Burner: logset or glass (with or without river rock)
- Regular Surround 45 7/8" (W) x 30" (H)
- Oversize Surround 53 7/8" (W) x 34" (H)

 **DESIGN**

 **EFFICIENCY**

 **SAFETY**

 **DESIGN-A-FIRE**  
A SYSTEM BY PACIFIC ENERGY



**AVAILABLE SURROUNDS**



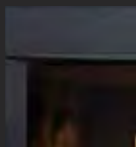
Louvered Grey



Louvered Black

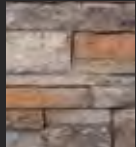


Contoured Grey



Contoured Black

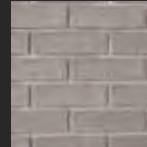
**AVAILABLE FIREBOX PANELS**



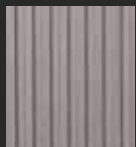
Ledgestone



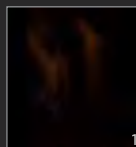
Red Brick



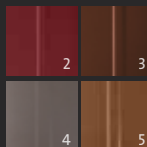
Grey Brick



Grey Fluted



Porcelain



1 BLACK 2 SUNSET RED  
3 COFFEE BEAN BROWN  
4 TITANIUM 5 COPPER

**AVAILABLE BURNERS**



Glass Burner



Standard Logset Burner



Premium Rustic Logset Burner

**GAS FIREPLACE**  
FOR SMALL TO MEDIUM SPACES

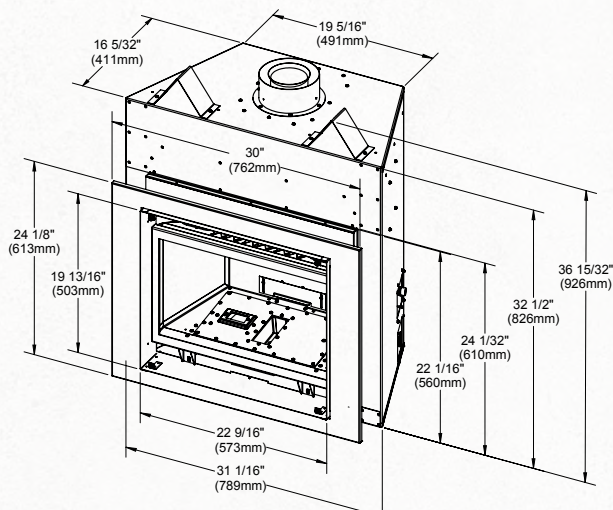
Natural Gas

## 18,000 BTU

17,000 BTU Liquid Propane

P.4 EFFICIENCY NG	72.7%
P.4 EFFICIENCY LP	75%
AFUE	75%
GLASS SIZE	198 SQ.IN.

The Casco is a great solution for rooms needing a smaller, low profile zero clearance gas fireplace. Sitting flush to the wall, this small fireplace offers outstanding performance, easy-to-control heat, and cost saving efficiency. Choose the traditional louvered surround or the pared-down aesthetic of the contour surround – both offering a unique view of the flame.



For reference only. Installations should be based on installation manuals. Specifications subject to change.

### FEATURES

- Pre-installed in a Factory Built Zero Clearance Kit
- Direct Vent Technology
- SIT Pro Flame 2 valve
- High-Efficiency Heat Exchanger with Aluminum Fins
- Integrated Micro-Mesh Safety Screen
- Standard Remote Control
- Variable-speed blower

### DESIGN OPTIONS

- Design-A-Fire
- Interior: brick, stone or porcelain enamel
- Burner: logset or glass (with or without river rock)
- Front Dimensions 24"(W) x 20 1/2"(H)

 DESIGN

 EFFICIENCY

 SAFETY

 DESIGN-A-FIRE  
A SYSTEM BY PACIFIC ENERGY



**AVAILABLE SURROUNDS**



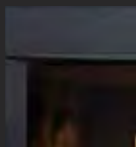
Louvered Grey



Louvered Black

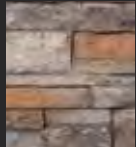


Contoured Grey

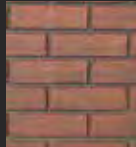


Contoured Black

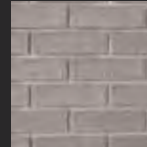
**AVAILABLE FIREBOX PANELS**



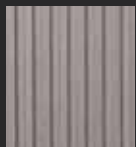
LedgeStone



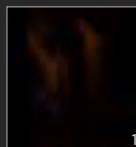
Red Brick



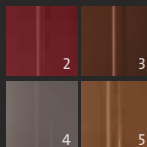
Grey Brick



Grey Fluted



Porcelain



1 BLACK 2 SUNSET RED  
3 COFFEE BEAN BROWN  
4 TITANIUM 5 COPPER

**AVAILABLE BURNERS**



Glass Burner



Standard Logset Burner



Premium Rustic Logset Burner



# CAMDEN

**GAS FIREPLACE**  
FOR MEDIUM TO LARGE SPACES

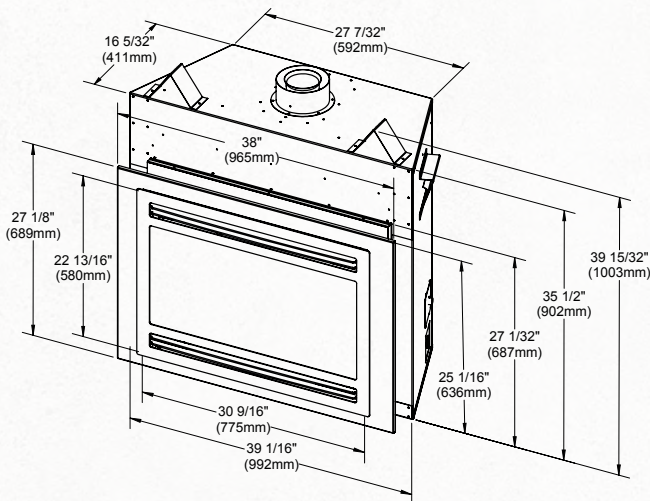
Natural Gas

## 30,000 BTU

26,000 BTU Liquid Propane

P.4 EFFICIENCY NG	74.4%
P.4 EFFICIENCY LP	76.6%
AFUE	76%
GLASS SIZE	430 SQ.IN.

Designed to heat larger spaces, the Camden sets the scene with full-scale flames and next generation efficiency. Easy to control, superior construction and expansive viewing area make the Camden a perfect heating solution when building or renovating your home. Choose the traditional louvered surround or the pared-down aesthetic of the contour surround in matte black or gunmetal grey.



### STANDARD FEATURES

- Direct vent technology
- SIT Pro Flame 2 valve
- High-efficiency heat exchanger with aluminum fins
- Integrated micro-mesh safety screen
- Standard remote control
- Variable-speed blower

### DESIGN OPTIONS

- Design-A-Fire
- Interior: brick, stone or porcelain enamel
- Burner: logset or glass (with or without river rock)
- Surround: louvered, or contoured
- Front Dimensions 32"(W) x 23 1/2"(H)

 **DESIGN**

 **EFFICIENCY**

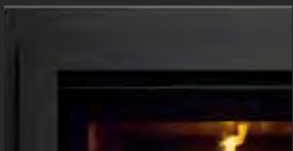
 **SAFETY**

 **DESIGN-A-FIRE**  
A SYSTEM BY PACIFIC ENERGY

For reference only. Installations should be based on installation manuals. Specifications subject to change.



**AVAILABLE SURROUNDS**

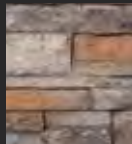


Contemporary



Contemporary  
Stainless Steel

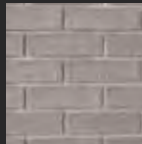
**AVAILABLE FIREBOX PANELS**



Ledge stone



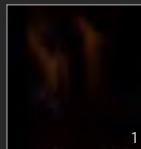
Red Brick



Grey Brick



Grey Fluted



Porcelain



1 BLACK 2 SUNSET RED  
3 COFFEE BEAN BROWN  
4 TITANIUM 5 COPPER

**AVAILABLE BURNERS**



Glass Burner



Standard Logset Burner



Premium Rustic Logset Burner

# ESTEEM

**GAS FIREPLACE**  
FOR SMALL TO MEDIUM SPACES

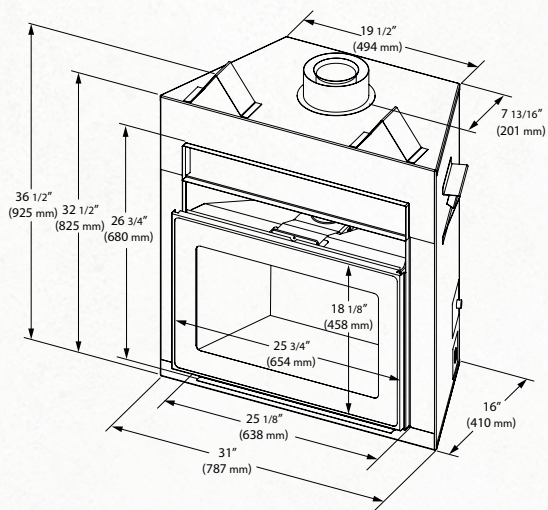
Natural Gas

## 18,000 BTU

17,000 BTU Liquid Propane

P.4 EFFICIENCY NG	72.7%
P.4 EFFICIENCY LP	75%
AFUE	76%
GLASS SIZE	198 SQ.IN.

When wall space is limited, there's the Esteem – the Zero Clearance fireplace for smaller spaces and installations in tight areas with minimal standoffs. Compact in size, the Esteem combines Pacific Energy's high standard of performance with style. An efficient and effective heat source, the Esteem's contemporary design offers a large, unobstructed view of the fire with a dramatic frame. Choose a full frame surround of matte black or stainless steel and matte black.



For reference only. Installations should be based on installation manuals. Specifications subject to change.

### STANDARD FEATURES

- Direct vent technology
- SIT Pro Flame 2 valve
- High-efficiency heat exchanger with aluminum fins
- Integrated micro-mesh safety screen
- Standard remote control
- Variable-speed blower

### DESIGN OPTIONS

- Design-A-Fire
- Surrounds available in Metallic Black, or Metallic Black with Stainless Steel accent
- Interior: brick, stone or porcelain enamel
- Burner: logset or glass (with or without river rock)
- Full Frame Surround 37 7/8" (W) x 32 5/8" (H)

 **DESIGN**

 **EFFICIENCY**

 **SAFETY**

 **DESIGN-A-FIRE**  
A SYSTEM BY PACIFIC ENERGY



**AVAILABLE SURROUNDS**

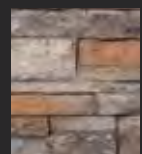


Contemporary

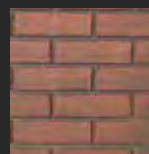


Contemporary  
Stainless Steel

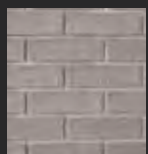
**AVAILABLE FIREBOX PANELS**



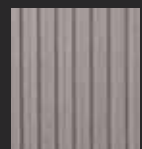
Ledge stone



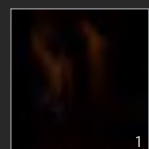
Red Brick



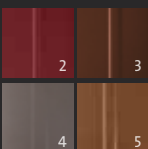
Grey Brick



Grey Fluted



Porcelain



1 BLACK 2 SUNSET RED  
3 COFFEE BEAN BROWN  
4 TITANIUM 5 COPPER

**AVAILABLE BURNERS**



Glass Burner



Standard Logset Burner



Premium Rustic Logset Burner

# ESTATE

**GAS FIREPLACE**  
FOR MEDIUM TO LARGE SPACES

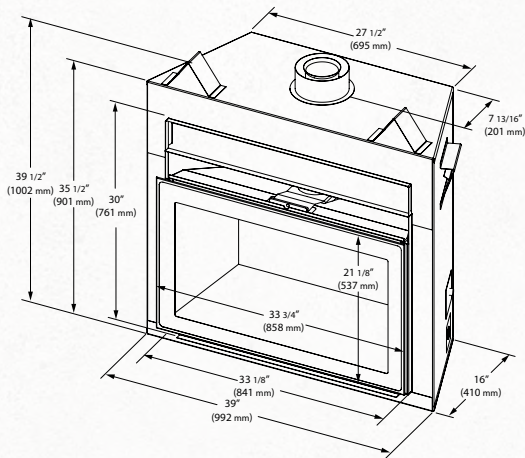
Natural Gas

## 30,000 BTU

26,000 BTU Liquid Propane

P.4 EFFICIENCY NG	74.4%
P.4 EFFICIENCY LP	76.6%
AFUE	76%
GLASS SIZE	430 SQ.IN.

Where wall space is available but depth is limited, the Estate is the solution. A Zero Clearance fireplace that's just over 16 inches deep, Estate was designed for easy installation in new construction and renovations. Its contemporary lines provide a clear view of the flame, and like the smaller Esteem, it's a true Pacific Energy fireplace, with a high-efficiency heat exchanger and user-controlled fans to distribute radiant and convection heat. Its Design-A-Fire options include a selection of burners, surrounds and interiors, to suit virtually any decor.



For reference only. Installations should be based on installation manuals. Specifications subject to change.

### STANDARD FEATURES

- Direct vent technology
- SIT Pro Flame 2 valve
- High-efficiency heat exchanger with aluminum fins
- Integrated micro-mesh safety screen
- Standard remote control
- Variable-speed blower

### DESIGN OPTIONS

- Design-A-Fire
- Surrounds available in Metallic Black, or Metallic Black with Stainless Steel accent
- Interior: brick, stone or porcelain enamel
- Burner: logset or glass (with or without river rock)
- Full Frame Surround 45 7/8"(W) x 35 5/8"(H)

- DESIGN
- EFFICIENCY
- SAFETY
- DESIGN-A-FIRE  
A SYSTEM BY PACIFIC ENERGY



# WOOD

**FREESTANDING STOVES**  
**FIREPLACE INSERTS**  
**FIREPLACES**

For wood-burning comfort with state-of-the-art efficiency, choose Pacific Energy. Our woodstoves, fireplace inserts, and wood-burning fireplaces are clean-burning, economical, easy to use, and warrantied for a limited lifetime. We offer a broad selection of wood stoves, inserts, and fireplaces - each with a myriad of design options from classic to cutting-edge modern.

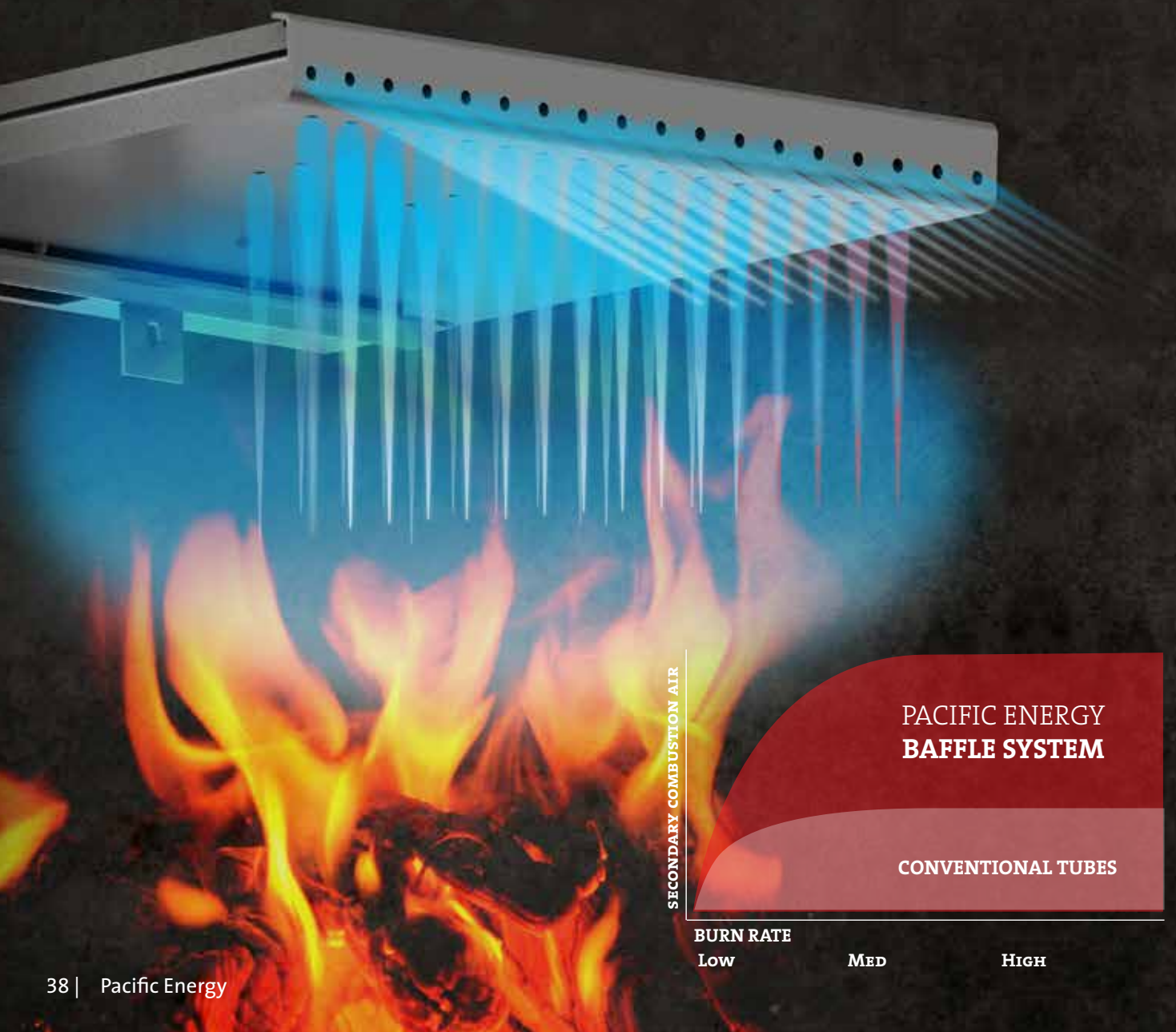
For reference only. Installations should be based on installation manuals. Specifications subject to change.



# BAFFLE SYSTEM

Pacific Energy is a recognized industry leader in “clean burn” technology, as exemplified in our unique high capacity baffle system for preheating secondary combustion air for re-burning. By burning the combustible elements in the air, we improve our stoves’ environmental performance while significantly reducing the amount of wood that is consumed.

The design and construction of our baffles is second to none: these removable hollow chambers are precisely formed and perforated to allow a continuous, controlled flow of secondary air—with no moving parts. Constructed from fully seam-welded 304 grade, non-ferrous stainless steel they ensure efficient combustion of secondary air throughout the entire burn cycle. Like every component in a Pacific Energy stove or insert, they are guaranteed to perform for a lifetime.



SECONDARY COMBUSTION AIR

PACIFIC ENERGY  
BAFFLE SYSTEM

CONVENTIONAL TUBES

BURN RATE

Low

MED

HIGH





# AIR WASH

A SYSTEM BY PACIFIC ENERGY

Soot-covered fireplace glass? Not likely with a Pacific Energy stove or insert. Over 30 years ago, we pioneered the use of glass doors on free standing woodstoves. We followed that with the first effective airwash manifold system, a design that flows pre-heated air to the glass surface to keep it clean.

Over the years we have continued to refine our airwash design: it now creates a high-pressure zone in the center and forces air to flow from above and across the glass. Even at low air settings, we are confident that our airwash system is the most effective available. And that our glass doors are among the cleanest in the industry.





# FLOATING FIREBOX

It may be obvious that a firebox is subjected to wild extremes of temperature. In some stoves, those extremes, and the related expansion and contraction, can lead to premature fatigue, and even failure, of metal components. But not in a Pacific Energy, our floating firebox system is legendary in the industry. Solidly designed with 304 grade stainless steel brick-support rails, it allows key parts to freely expand and contract, which reduces metal fatigue and adds years of life to the entire stove. The stainless steel baffle (part of the clean-burning secondary combustion system) the flame shield (which protects the stove top from intense heat) are all part of the floating firebox system.

It costs more to build a stove this way, but we feel it's well worth it. It's one of the reasons we're confident in offering a limited lifetime warranty on every one of our stoves and inserts. And why our products don't click, tick and ping when they heat and cool.

## FLAME SHIELD

Made from 304 grade stainless steel to protect the stove top from intense heat.

## BAFFLE

High volume secondary air combustion system for maximum efficiency.

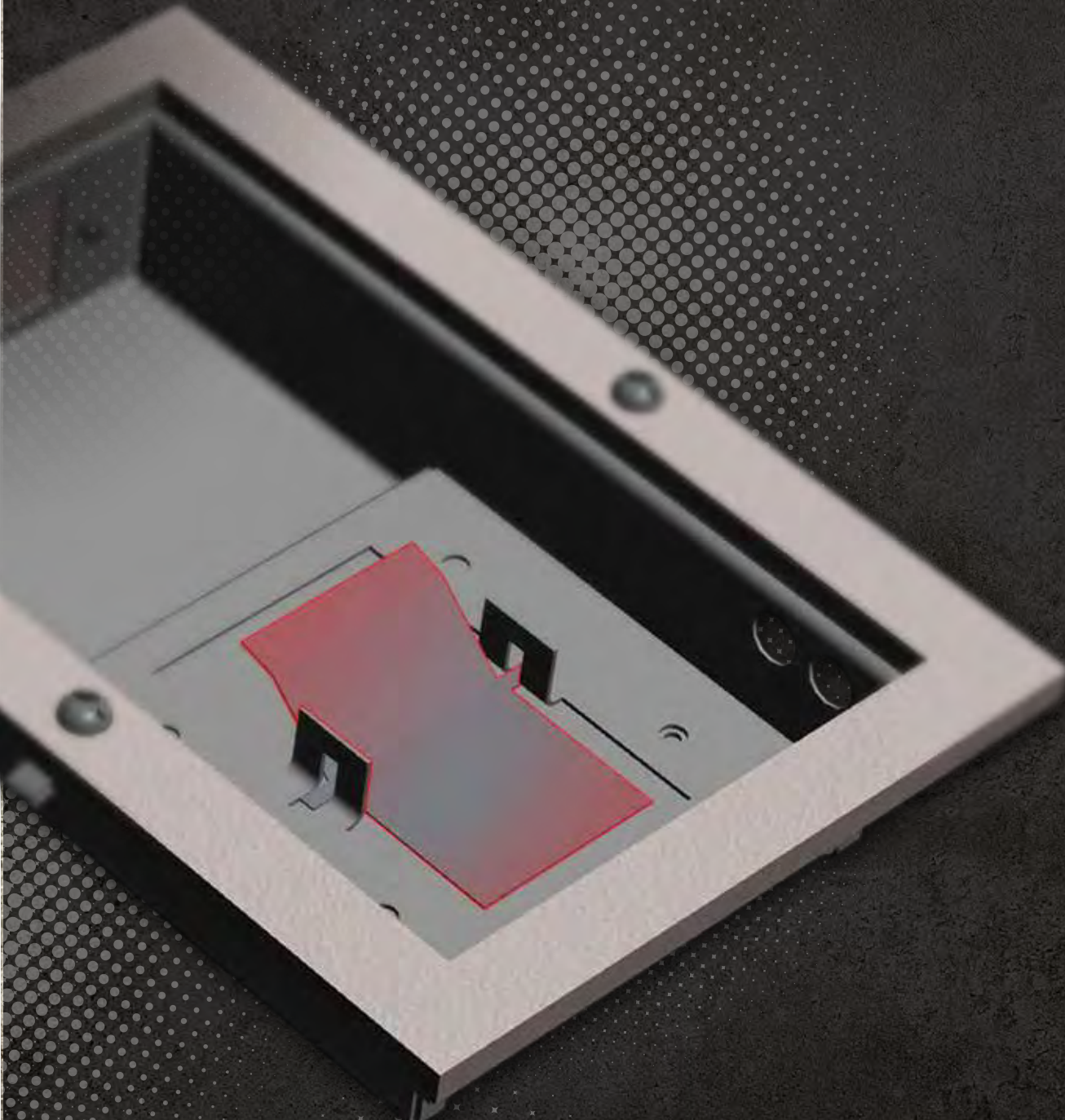
## BRICK RAILS

Allow key parts to freely expand and contract, reducing metal fatigue and adding years of life to the stove.

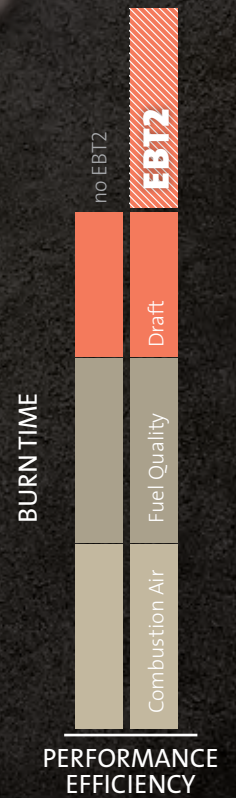


# EBT2 EXTENDED BURN

T E C H N O L O G Y



Our second-generation Extended Burn Technology, or EBT2, precisely regulates secondary airflow based on vacuum created by the chimney for a longer, cleaner, more economical burn. This automatically adjusts the secondary combustion system, for a cleaner, more efficient burn and extended burn time.

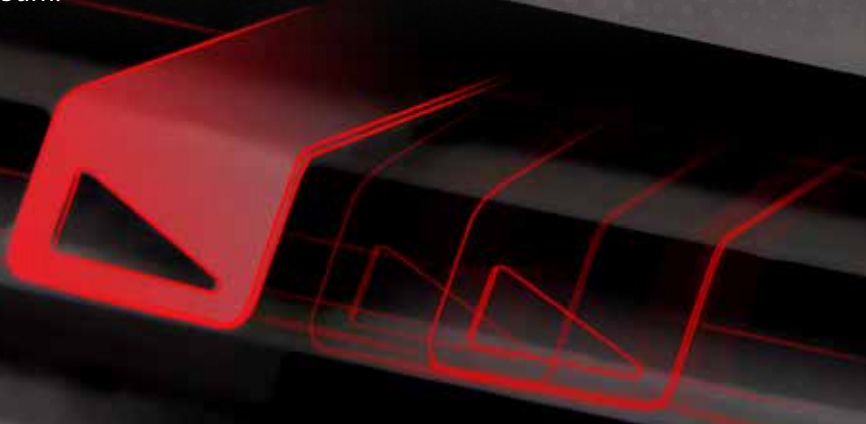


For reference only. Installations should be based on installation manuals. Specifications subject to change.



## SINGLE LEVER AIR CONTROL

It's never been simpler to achieve a clean, efficient flame. With Pacific Energy systems, a single, easy-to-operate air control lever can regulate the entire burn.

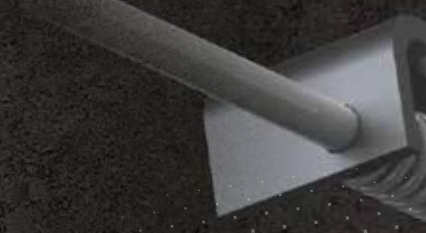


## SELF SEALING ASH DUMP

Our self-sealing ash dump, with its spring-loaded trap door provides a time saving, hassle-free ash removal solution that, frankly, has yet to be equaled.

Serious wood burners utilize ash removal systems. Many stoves simply have a removable cover over their ash removal opening inside the firebox.

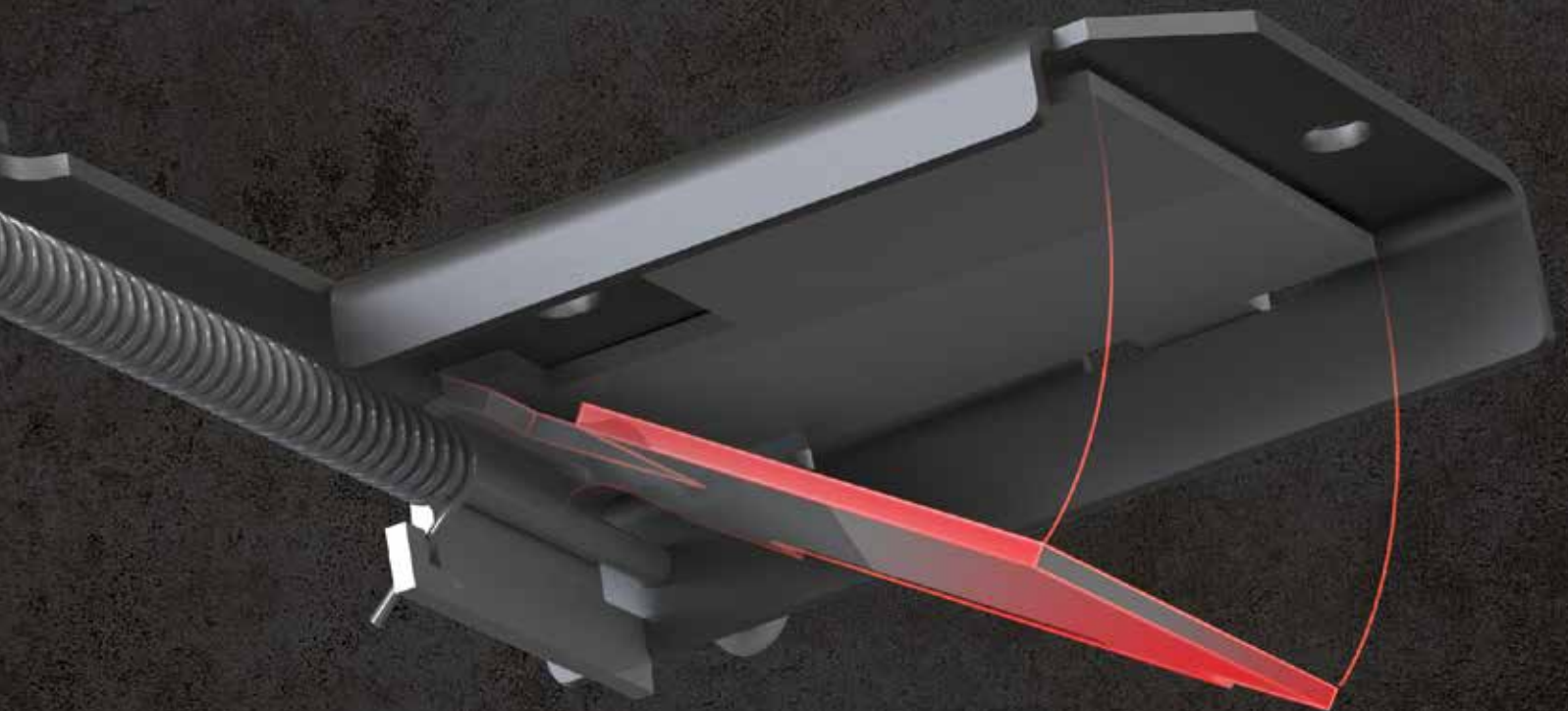
Pacific Energy's machined steel, spring loaded ash removal systems is opened from outside the stove and closes automatically for safety and convenience when you're done.





## KNIFE EDGE DOOR

A formed and welded knife edge opening creates a superior air tight seal to the door gasket while strengthening the stove face. This is a more labor intensive design but our experience has proven this is the best way to manufacture a fireplace.



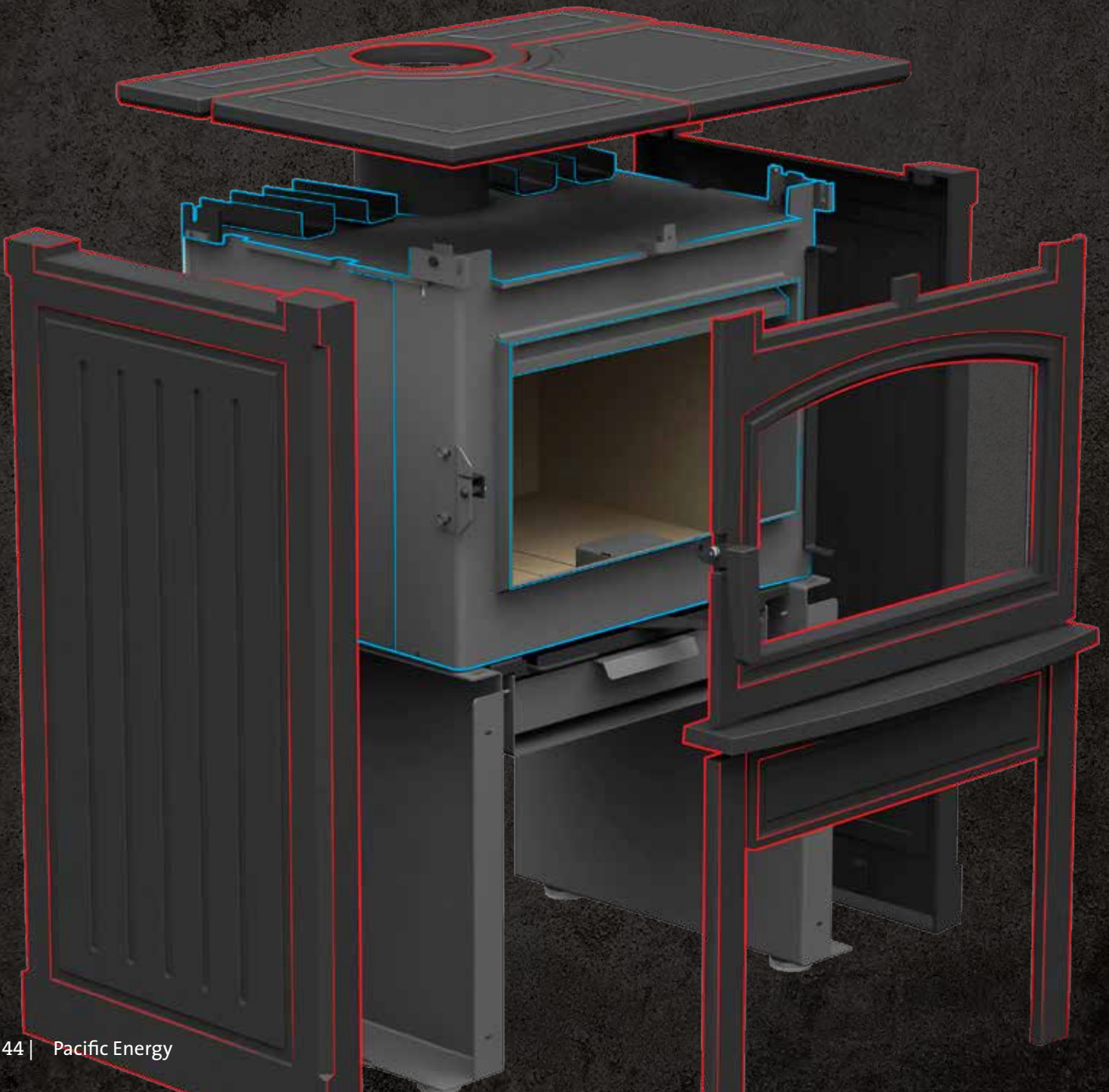
For reference only, installations should be based on installation manuals. Specifications subject to change.



# CAST IRON **OVER** STEEL

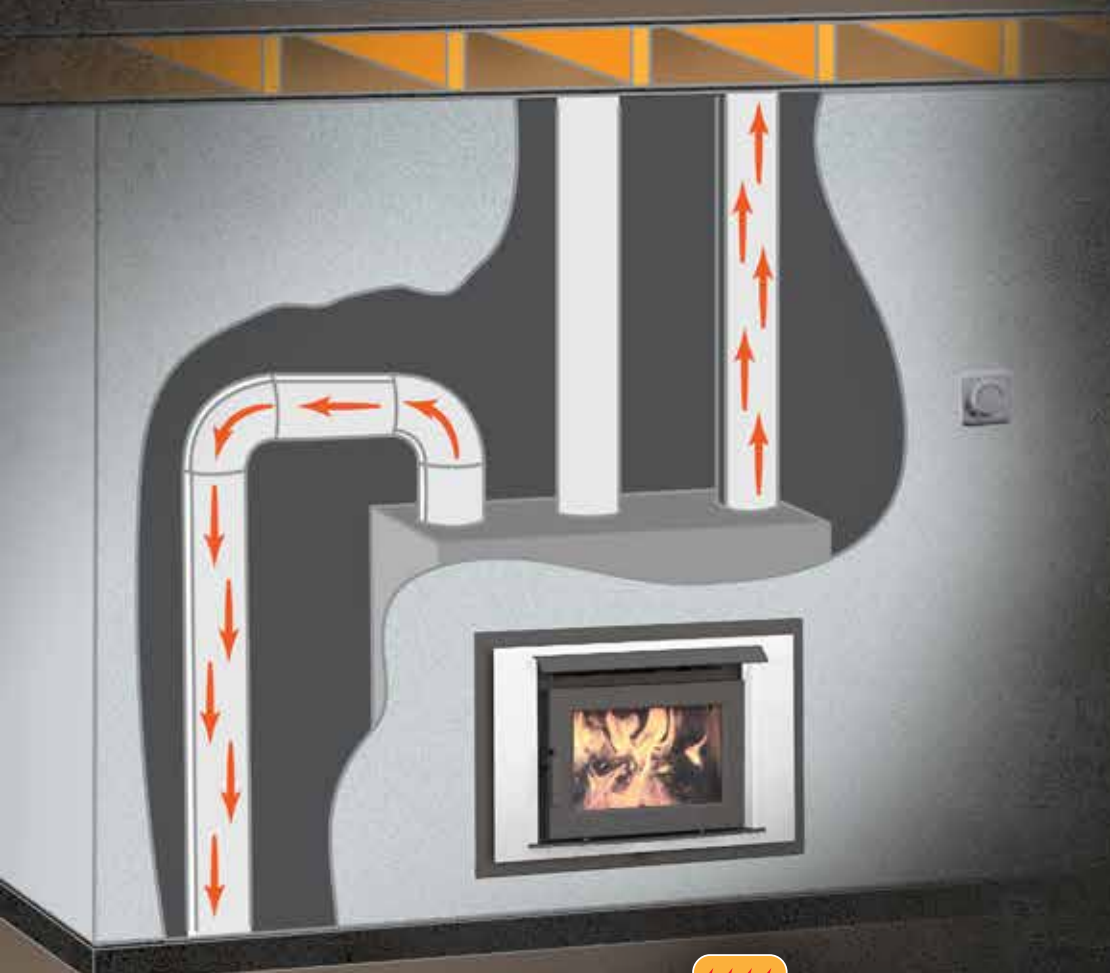
Until we pioneered the Alderlea line, and its revolutionary iron-wrapped steel firebox, a cast-iron stove was just that: cast iron. The Cast Iron Over Steel design makes the most of each metal: the steel stove and floating firebox is free to expand and contract, and its design maximizes convective heat efficiency, while the cast iron wrapping provides lasting, radiant heat.

This superior system greatly extends longevity over an all cast stove. Metal fatigue is no longer a factor, allowing us to offer the industry's first limited lifetime warranty on a cast stove. Our technical innovation lives "under the skin" of the Alderlea and Newcastle lines, maintaining the much loved properties of cast iron with unmatched years of trouble-free performance.



**POWERED HEAT  
DISTRIBUTION SYSTEM**

Above or below grade  
5 to 20 feet

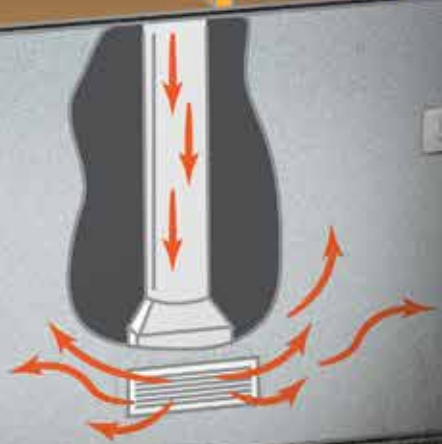


# HEAT DISTRIBUTION

Enjoy heat throughout your home with Pacific Energy's EPA approved Heat Distribution System.

With the FP25 and the FP30, homeowners can supplement their heat source with an optional Heat Distribution System. Using standard "B" vent piping, the powered heat distribution system transfers heat into isolated rooms. Each heat duct is independently switch controlled, allowing for on demand control and comfort.

For FP25 and FP30 Zero Clearance Fireplaces Only



For reference only. Installations should be based on installation manuals. Specifications subject to change.



**DESIGN-A-FIRE**  
A SYSTEM BY PACIFIC ENERGY



## Screen Doors

Expand your burning season with a Screen Door, sized to fit Vista, Super, Summit wood stoves and inserts only.

Black Metallic finish with double handle design for easy placement and removal. Existing door may remain in place during Screen Door use.



## Ash System

Ash disposal is clean and easy with a removable ash drawer – available as an optional extra for the VISTA, SUPER 27, and SUMMIT and a standard feature for most freestanding stoves. Not Available on the NEO 1.2 and Alderlea 1.2



## 8 Porcelain Colours and 3 Trivet finishes for all Classic Models



SUNSET RED



EBONY



COFFEE BEAN BROWN\*



TITANIUM\*



IVORY



COPPER\*



ROYAL BLUE\*



BLACK PEARL\*

\*PREMIUM COLOR

## 4 Finishes for Doors and Legs

Pacific Energy VISTA, SUPER and SUMMIT Wood Stoves are customizable in your choice of door and leg finishes.

*Available in Gold, Nickel, Metallic Black and Brushed Nickel.*

Doors for all Pacific Energy Traditional fireplace insert models are also available in these four finishes.

Two door styles, Arched and Radiant, are available only for the Super Classic and Super Series.



GOLD



NICKEL



METALLIC BLACK



## Blowers

Temperature actuated 140 cfm variable speed blowers are available for all stove models. 80 cfm and 160 cfm variable speed blowers are standard features on Inserts.



Visit **BUILD-MY-STOVE** at [www.pacificenergy.net](http://www.pacificenergy.net)

# WOOD STOVES

## CONTEMPORARY



NEO 1.2..... 52



NEO 1.6..... 54



NEOSTONE 1.6..... 58

## TRADITIONAL



VISTA ..... 62



VISTA CLASSIC..... 62

## CAST IRON OVER STEEL



ALDERLEA 1.2..... 72



ALDERLEA T4..... 74



NEWCASTLE 1.6..... 68



ALDERLEA 1.2 CLASSIC ..... 72



ALDERLEA T4 CLASSIC ..... 74



NEWCASTLE 1.6 CLASSIC ..... 68

Heating Spaces  
600 SQ.FT.

1,500 SQ.FT.



NEO 2.5 .....56



NEOSTONE 2.5 ....60



SUPER 27 .....64



SUMMIT.....66



SUPER CLASSIC ....64



SUMMIT CLASSIC ..66



ALDERLEA T5 ..... 76



NEWCASTLE 2.5 .... 70



ALDERLEA T6..... 78



ALDERLEA T5 CLASSIC ... 76



NEWCASTLE 2.5 CLASSIC .....70

### What is the difference between EPA test fuel and cord wood?

All wood is not created equal and burn results vary due to the type of wood, its density and its moisture content. To reduce burn rate variations, the EPA has developed a standardized wood load for testing. Uniform pieces of Douglas Fir lumber, with specific moisture content, are stacked into a precise configuration to minimize any fluctuations caused by volume and wood type.

For reference only. Installations should be based on installation manuals. Specifications subject to c



# FIREPLACES & INSERTS

Heating Spaces  
600 SQ.FT.

1,500 SQ.FT.

## FIREPLACE INSERTS

CONTEMPORARY

TRADITIONAL

CAST IRON OVER STEEL

## FIREPLACES

CONTEMPORARY

TRADITIONAL



NEO 1.6 INSERT.....80



VISTA INSERT.....84



FP16 .....92



FP16 ARCH.....98



NEO 2.5 INSERT . . . . .82



SUPER INSERT . . . . .86



SUMMIT INSERT . . . . .88



ALDERLEA T5  
INSERT . . . . .90



ALDERLEA T5  
CLASSIC INSERT . . . . .90



FP25 . . . . .94



FP30 . . . . .96



FP25 ARCH . . . . .100



FP30 ARCH . . . . .102

### What is BTU ?

The British thermal unit (symbol BTU or Btu) is a traditional unit of energy equal to about 1,055 joules. It is approximately the amount of energy needed to heat 1 pound (0.454 kg) of water (i.e. exactly one tenth of a UK gallon, or around 0.1198 US gallons) from 39 to 40 ° F (3.8 to 4.4° C). In North America, the term "BTU" is used to describe the heat value (energy content) of fuels, and also to describe the power of heating and cooling systems, such as furnaces, stoves, barbecue grills, and air conditioners.

For reference only. Installations should be based on installation manuals. Specifications subject to change without notice.





CONTEMPORARY SERIES

# NEO 1.2

## FREESTANDING STOVE FOR SMALL TO MEDIUM SPACES

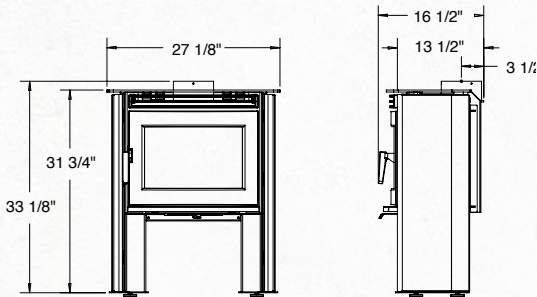
Heat Output Cord Wood

### TBD

EFFICIENCY (LHV)	TBD
EMISSIONS	TBD.
LOG SIZE (MAX)	16 -18 INCHES
FIREBOX SIZE	1.2 CU.FT.
GLASS SIZE	173 SQ.IN.
WEIGHT	TBD.

The Neo 1.2 delivers large heat output on a small scale. Engineered with our highly efficient 1.2 cubic foot steel firebox, this small freestanding stove was designed to heat occasional use rooms, cottages and small spaces requiring short burn times. Its tall profile makes for easy loading and offers a line-of-sight view of the flame, while its modern design ensures it will be the focal point of any room. Choose from painted metallic black side panels or porcelain enamel panels in a variety of colours.

COMING FALL 2015



For reference only. Installations should be based on installation manuals. Specifications subject to change.

#### STANDARD FEATURES

- Reliable, durable non-catalytic technology
- Air wash system for super clean ceramic glass
- High-tech multi-port combustion air injection system
- Inside and outside combustion air capable
- Floating firebox for extended stove life
- Heavy plate-steel top
- Porcelain Enamel, stainless steel, or painted finish
- 304 Stainless Steel Baffle, insulation cover, rails and flame shield
- Boost air for easy lighting
- Integrated heat exchanger
- East-West loading

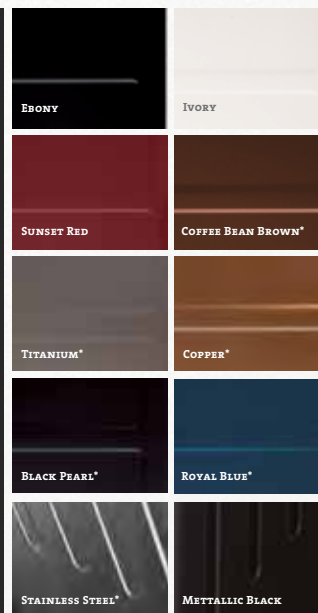
- Leveling Legs
- Removable Cast Iron Trivet
- Mobile Home Approved

#### DESIGN OPTIONS

Side panels in Metallic Black, Stainless Steel, or a choice of eight Porcelain Enamel colors

#### PERFORMANCE OPTIONS

140 cfm temperature actuated variable speed blower







# NEO 1.6

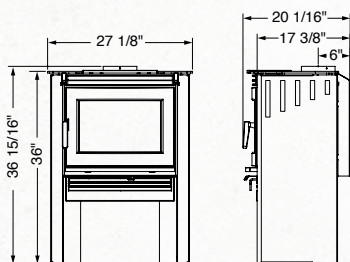
## FREESTANDING STOVE FOR MEDIUM SPACES

### Heat Output Cord Wood **70,000 BTU**

35,000 BTU EPA Test Fuel

EFFICIENCY (LHV)	81.3%
EMISSIONS	3.4 GM/HR.
LOG SIZE (MAX)	16-18 INCHES
FIREBOX SIZE	1.6 CU.FT.
GLASS SIZE	173 SQ.IN.
WEIGHT	337 LB.

Make a bold statement with the innovative freestanding Neo 1.6. Its tall profile makes for easy loading and a line-of-sight view of the flame, while its clean lines and bold design ensure it will be the focal point of any room. Choose from painted side panels or porcelain—in a variety of colors—that provide radiant heat in addition to the Neo's high-efficiency finned heat exchanger. Like its larger cousin the Neo 2.5, is a true heating machine, with Pacific Energy's solid steel construction



For reference only. Installations should be based on installation manuals. Specifications subject to change.

#### STANDARD FEATURES

- Reliable, durable non-catalytic technology
- Air wash system for super clean ceramic glass
- Easy to use ash disposal system
- High-tech multi-port combustion air injection system
- Inside and outside combustion air capable
- Floating firebox for extended stove life
- Heavy plate-steel top
- Porcelain Enamel, stainless steel, or painted finish
- 304 Stainless Steel Baffle, insulation cover, rails and flame shield
- Boost air for easy lighting
- Extended Burn Technology (EBT2)
- Integrated heat exchanger
- East-West loading

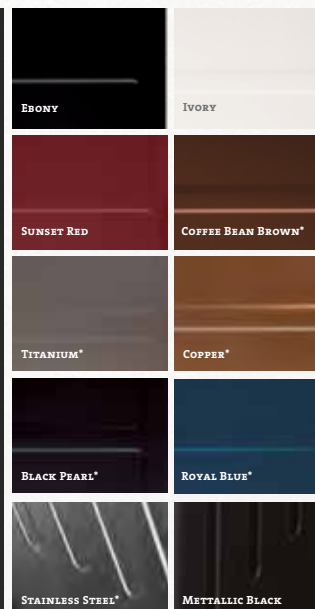
- Leveling Legs
- Removable Cast Iron Trivet over Cooking Surface
- Mobile Home Approved

#### DESIGN OPTIONS

- Side panels in Metallic Black, Stainless Steel, or a choice of eight Porcelain Enamel colors

#### PERFORMANCE OPTIONS

- 140 cfm temperature actuated variable speed blower





CONTEMPORARY SERIES

# NEO 2.5

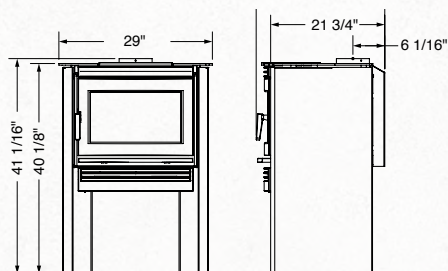
## FREESTANDING STOVE FOR MEDIUM TO LARGE SPACES

### Heat Output Cord Wood **85,000 BTU**

33,000 BTU EPA Test Fuel

EFFICIENCY (LHV)	80.3%
EMISSIONS	2.85 G/HR
LOG SIZE (MAX)	18 INCHES
FIREBOX SIZE	2.5 CU.FT.
GLASS SIZE	184 SQ.IN.
WEIGHT	460 LB.

Neo 2.5 offers elegant, modern lines and a practical tall profile design with a larger firebox and higher heat output. With no-stoop loading, a large glass door, and simplified air control, the Neo 2.5 is a practical wood stove with Pacific Energy's clean-burning technology that reduces emissions while maximizing burn length and fuel efficiency. It includes all the features and convenience of the Neo 1.6, including optional porcelain side panels in dramatic colors, and the ability to use the top as a cook stove. Installation is simplified with leveling legs for uneven surfaces.



For reference only. Installations should be based on installation manuals. Specifications subject to change.

#### STANDARD FEATURES

Reliable, durable non-catalytic technology  
Air wash system for super clean ceramic glass  
Easy to use ash disposal system  
High-tech multi-port combustion air injection system  
Inside and outside combustion air capable  
Floating firebox for extended stove life  
Heavy plate-steel top  
Porcelain Enamel, stainless steel, or painted finish  
304 Stainless Steel Baffle, insulation cover, rails and flame shield  
Boost air for easy lighting  
Extended Burn Technology (EBT2)  
Integrated heat exchanger  
East-West loading

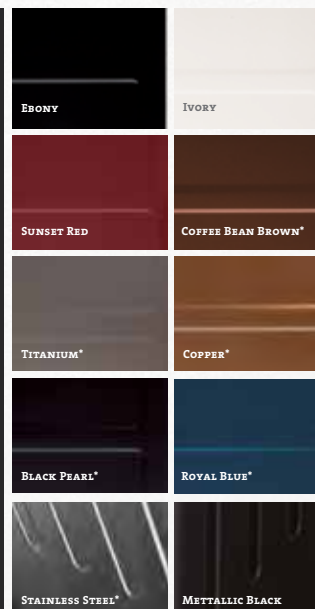
Leveling Legs  
Removable Cast Iron Trivet over Cooking Surface  
Mobile Home Approved

#### DESIGN OPTIONS

Side panels in Metallic Black, Stainless Steel, or a choice of eight Porcelain Enamel colors

#### PERFORMANCE OPTIONS

140 cfm temperature actuated variable speed blower





# NEOSTONE 1.6

**FREESTANDING STOVE**  
FOR MEDIUM SPACES

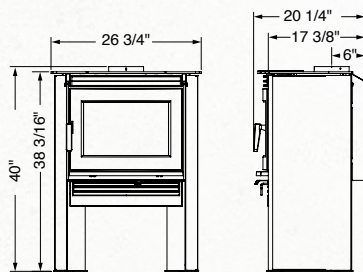
Heat Output Cord Wood  
**70,000 BTU**

35,000 BTU EPA Test Fuel

EFFICIENCY (LHV)	81.3%
EMISSIONS	3.4 GM/HR.
LOG SIZE (MAX)	16-18 INCHES
FIREBOX SIZE	1.6 CU.FT.
GLASS SIZE	173 SQ.IN.
WEIGHT	TBD

Introducing the Neostone 1.6 – our highly efficient Neo 1.6 engine elegantly wrapped in natural soapstone. Each large-scale piece of mined soapstone retains heat while the stove is in use and slowly releases the heat back into the room, even after the stove is out.

Inside, our clean-burning technology reduces emissions while maximizing burn length and fuel efficiency. Raised taller for convenient operation, the Neostone woodstoves are easy to light, easy to load, and easy to use.



For reference only. Installations should be based on installation manuals. Specifications subject to change.

**STANDARD FEATURES**

- Reliable, durable non-catalytic technology
- 35mm thick mined Soapstone top and side panels
- Air wash system for super clean ceramic glass
- Easy to use ash disposal system
- High-tech multi-port combustion air injection system
- Inside and outside combustion air capable
- Floating firebox for extended stove life
- 304 Stainless Steel Baffle, insulation cover, rails and flame shield
- Boost air for easy lighting
- Extended Burn Technology (EBT2)
- Integrated heat exchanger
- East-West loading
- Leveling Legs
- Mobile Home Approved

**PERFORMANCE OPTIONS**

- 140 cfm temperature actuated variable speed blower

**SOAPSTONE**

Mined soapstone characteristics will vary from stove to stove. Being formed in nature, the appearance of the grain and colour cannot be controlled, making each stove unique.





# NEOSTONE 2.5

**FREESTANDING STOVE**  
FOR MEDIUM TO LARGE SPACES

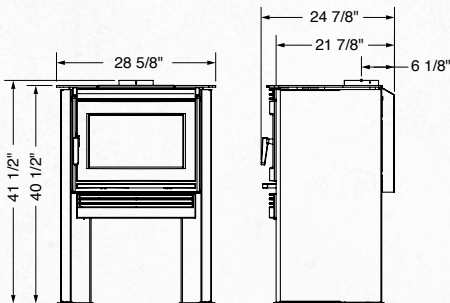
Heat Output Cord Wood  
**85,000 BTU**

33,000 BTU EPA Test Fuel

EFFICIENCY (LHV)	80.3%
EMISSIONS	2.85 G/HR
LOG SIZE (MAX)	18 INCHES
FIREBOX SIZE	2.5 CU.FT.
GLASS SIZE	184 SQ.IN.
WEIGHT	TBD

Powerful performance and natural beauty, introducing the Neostone 2.5 for medium to large spaces. Like its smaller cousin the Neostone 1.6, we took our highly efficient Neo 2.5 engine and elegantly wrapped it in soapstone. The natural properties of each unique large-scale piece of mined soapstone retains heat while the stove is in use and slowly releases the heat back into the room, even after the stove is out.

Inside, our solid steel construction, floating firebox and stainless steel baffle make this a truly effective heater. Clean-burning technology reduces emissions while EBT maximizes burn length and fuel efficiency. Raised taller for convenient operation, the Neostone woodstoves are easy to light, easy to load, and easy to use.



For reference only. Installations should be based on installation manuals. Specifications subject to change.

**STANDARD FEATURES**

- Reliable, durable non-catalytic technology
- 35mm thick mined Soapstone top and side panels
- Air wash system for super clean ceramic glass
- Easy to use ash disposal system
- High-tech multi-port combustion air injection system
- Inside and outside combustion air capable
- Floating firebox for extended stove life
- 304 Stainless Steel Baffle, insulation cover, rails and flame shield
- Boost air for easy lighting
- Extended Burn Technology (EBT2)
- Integrated heat exchanger
- East-West loading
- Leveling Legs
- Mobile Home Approved

**PERFORMANCE OPTIONS**

- 140 cfm temperature actuated variable speed blower

**SOAPSTONE**

Mined soapstone characteristics will vary from stove to stove. Being formed in nature, the appearance of the grain and colour cannot be controlled, making each stove unique.







TRADITIONAL SERIES

# VISTA VISTA CLASSIC

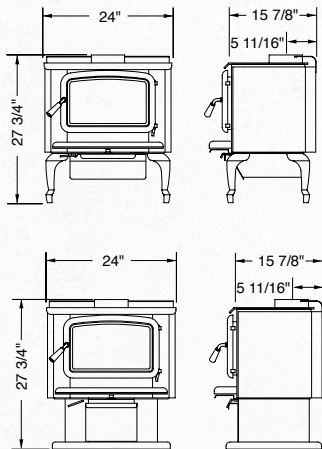
## FREESTANDING STOVE FOR SMALL TO MEDIUM SPACES

### Heat Output Cord Wood **56,000 BTU**

26,300 BTU EPA Test Fuel

EFFICIENCY (LHV)	74%
EMISSIONS	2.9 GM/HR.
LOG SIZE (MAX)	16-18 INCHES
FIREBOX SIZE	1.5 CU.FT.
GLASS SIZE	103 SQ.IN.
WEIGHT	APPROX. 275 LB.

Despite its compact size, this is a high-performance wood-stove, engineered for powerful heat output, high efficiency and ease of use. Combine the features and performance with the ageless beauty of porcelain finish and your choice of door, leg and trivet finish, and you have the Vista Classic. Traditional elegance with state-of-the-art woodburning performance



VISTA



VISTA CLASSIC

For reference only. Installations should be based on installation manuals. Specifications subject to change.

#### FEATURES

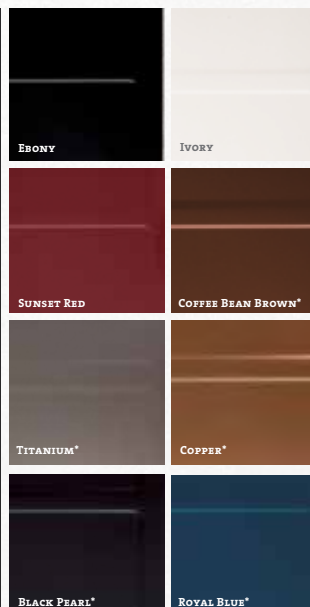
- Reliable, durable Non-Catalytic Technology
- Multi-port Combustion Air Injection System
- Easy one-touch operation
- Steel Baffle and 304 Stainless Steel Insulation cover
- Airwash Technology for clear, clean glass
- Inside and outside combustion air capable
- Heavy plate steel top
- Mobile Home approved
- East-West loading

#### PERFORMANCE OPTIONS

- Temperature-Actuated Variable-Speed Blower
- Easy-to-use ash disposal system (optional on Vista; included with Vista Classic)
- Screen Door

#### DESIGN OPTIONS

- VISTA**
  - Legs: choice of four finishes
  - Pedestal base
  - Arched door: choice of three finishes
- VISTA CLASSIC**
  - Legs: choice of four finishes
  - Arched door: choice of three finishes
  - Porcelain enamel: choice of eight colors
  - Decorative trivet: choice of three finishes





# SUPER 27

## SUPER CLASSIC

### FREESTANDING STOVE FOR MEDIUM SPACES

#### Heat Output Cord Wood

# 72,000 BTU

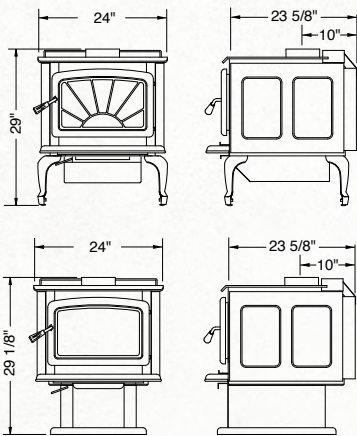
34,600 BTU EPA Test Fuel

EFFICIENCY (LHV)	80.7%
EMISSIONS	3.4 GM/HR.
LOG SIZE (MAX)	18 INCHES
FIREBOX SIZE	2.2 CU.FT.
GLASS SIZE	134 SQ.IN.

#### WEIGHT

SUPER 27	355 LB.
SUPER CLASSIC	340 LB

Our most popular woodburning stove based on our renowned firebox, the Super 27 and Super Classic deliver superb heating performance. With clean air wash technology, our high capacity baffle system and legendary reliability, the Super Series are built for a lifetime of heat. Customize your Super to complement your home; choose from traditional painted metallic black steel with the Super 27, or the Super Classic richly finished in durable porcelain enamel and a choice of decorative trivets. Arched or radiant doors available only on the Super Series.



SUPER 27 MODEL SHOWN



SUPER 27



SUPER CLASSIC

For reference only. Installations should be based on installation manuals. Specifications subject to change.

#### FEATURES

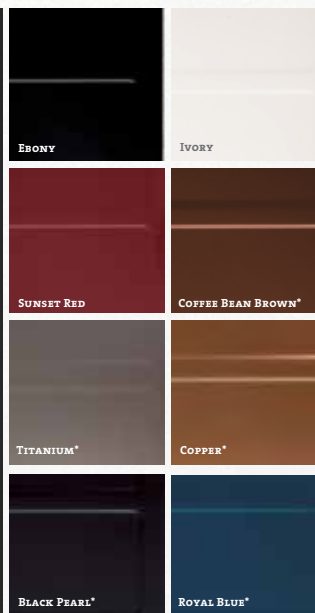
- Reliable Non-Catalytic Technology
- Easy, one-touch operation
- Airwash Technology for clear, clean glass
- Multi-Port Combustion
- Air Injection System
- Inside and outside combustion air capable
- Floating firebox for extended stove life
- Plate-steel top under decorative top
- 304 Stainless Steel Baffle, insulation cover, rails and flame shield
- Boost air for easy lighting
- Mobile Home approved
- North-South loading

#### DESIGN OPTIONS

- SUPER27**
- Legs: choice of four finishes
  - Pedestal base
  - Arched and radiant door: choice of four finishes
  - Metallic black finish
- SUPER CLASSIC**
- Legs: choice of four finishes
  - Arched and radiant door: choice of four finishes
  - Porcelain enamel: choice of eight colors
  - Decorative trivet: choice of three finishes

#### PERFORMANCE OPTIONS

- Easy-to-use ash disposal system (optional on Super; included with Super Classic)
- 140 cfm Temperature-Actuated
- Variable-Speed Blower
- Screen Door





# SUMMIT

## SUMMIT CLASSIC

### FREESTANDING STOVE FOR LARGE SPACES

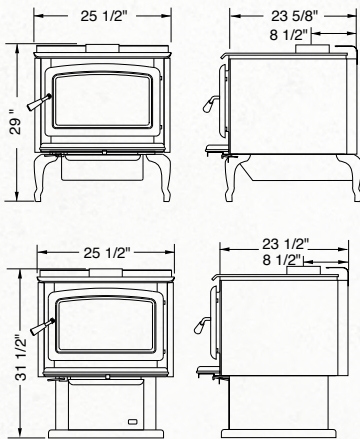
Heat Output Cord Wood

# 99,000 BTU

38,500 BTU EPA Test Fuel

EFFICIENCY (LHV)	80.4%
EMISSIONS	3.5 GM/HR.
LOG SIZE (MAX)	18-20 INCHES
FIREBOX SIZE	3.0 CU.FT.
GLASS SIZE	166 SQ.IN.
WEIGHT	APPROX. 435 LB.

When you need the heating power to keep a large homes warm and comfortable through long winter nights, choose Summit. Crafted for maximum heating capacity with Extended Burn Technology (EBT) for the longest burn time, the Summit, and the Summit Classic in a beautiful, durable porcelain finish, are the wood stoves of choice for bigger spaces and colder nights. Choose a pedestal mount or a variety of leg finishes. Choose the door style and finish. The Summit will welcome you in the morning with a warm, glowing fire.



SUMMIT



SUMMIT CLASSIC

For reference only. Installations should be based on installation manuals. Specifications subject to change.

#### FEATURES

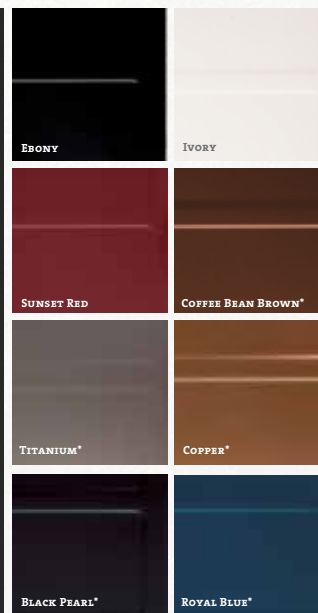
- Reliable Non-Catalytic Technology
- Extended Burn Technology (EBT2)
- Easy one-touch operation
- Airwash Technology for clear, clean glass
- Multi-Port combustion air injection system
- Inside and outside combustion air capable
- Floating firebox for extended stove life
- Safe, easy front-to-back fuel loading
- Heavy plate-steel top
- 304 Stainless Steel Baffle, insulation cover, rails and flame shield
- Boost air for easy lighting
- Mobile home approved
- North-South loading

#### DESIGN OPTIONS

- SUMMIT**
  - Legs: choice of four finishes
  - Pedestal base
  - Arched door: choice of four finishes
  - Metallic black finish
- SUMMIT CLASSIC**
  - Legs: choice of four finishes
  - Arched door: choice of four finishes
  - Porcelain enamel: choice of eight colors
  - Decorative trivet: choice of three finishes

#### PERFORMANCE OPTIONS

- 140 cfm. Temperature-Actuated Variable-Speed Blower
- Easy-to-use ash disposal system (optional on Summit; included with Summit Classic)
- Screen Door





CAST IRON OVER STEEL

# NEWCASTLE 1.6

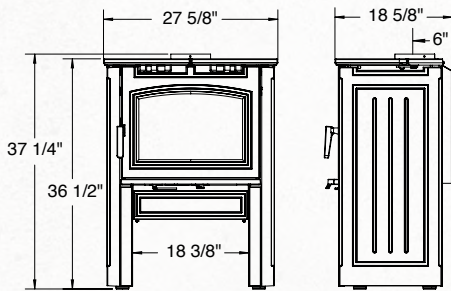
## NEWCASTLE 1.6 CLASSIC

**FREESTANDING STOVE**  
FOR MEDIUM SPACES

Heat Output Cord Wood  
**70,000 BTU**

35,000 BTU EPA Test Fuel

EFFICIENCY (LHV)	81.3%
EMISSIONS	3.4 GM/HR.
LOG SIZE (MAX)	16-18 INCHES
FIREBOX SIZE	1.6 CU.FT.
GLASS SIZE	187 SQ.IN.
WEIGHT	460 LB.



The Newcastle "Cast Iron Over Steel" construction makes the most of each metal; our highly efficient steel stove and firebox are free to expand and contract while the cast iron wrap provides additional radiant heat. This superior system greatly extends longevity over an all cast stove by eliminating metal fatigue. The Newcastle 1.6 wraps a cast iron profile around Pacific Energy's 1.6 cubic foot high performance steel firebox. Raised taller for added convenience, the Newcastle woodstoves are easy to light, easy to load, and easy to use. Uniquely designed with swing-out cast iron warming plates, the Newcastle 1.6 provides a concealed cooktop for maximum utilization during long power outages.



For reference only. Installations should be based on installation manuals. Specifications subject to change.

### STANDARD FEATURES

Reliable, durable non-catalytic technology  
Air wash system for super clean ceramic glass  
Easy to use ash disposal system  
High-tech multi-port combustion air injection system  
Inside and outside combustion air capable  
Floating firebox for extended stove life  
Heavy plate-steel top  
Porcelain Enamel, or painted finish  
304 Stainless Steel Baffle, insulation cover, rails and flame shield  
Boost air for easy lighting  
Extended Burn Technology (EBT2)  
Integrated heat exchanger  
East-West loading

### STANDARD FEATURES

Leveling Legs  
Swing open top  
Mobile Home Approved

### DESIGN OPTIONS

Available in Metallic Black, or a choice of three Porcelain Enamel Colours: Ebony, Majolica or Antique White

### PERFORMANCE OPTIONS

140 cfm temperature actuated variable speed blower

 **CAST IRON OVER STEEL**

 **AIR WASH**  
A SYSTEM BY PACIFIC ENERGY

 **BAFFLE SYSTEM**

 **EBT2 EXTENDED BURN**  
TECHNOLOGY

 **FLOATING FIREBOX**

 **KNIFE EDGE DOOR**

 **SELF SEALING ASH DUMP**

 **SINGLE LEVER**  
AIR CONTROL

METALLIC BLACK

EBONY

MAJOLICA

ANTIQUÉ WHITE





CAST IRON OVER STEEL

# NEWCASTLE 2.5

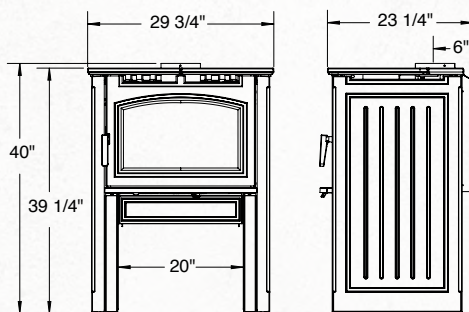
## NEWCASTLE 2.5 CLASSIC

**FREESTANDING STOVE**  
FOR MEDIUM TO LARGE SPACES

Heat Output Cord Wood  
**85,000 BTU**

33,000 BTU EPA Test Fuel

EFFICIENCY (LHV)	80.3%
EMISSIONS	2.85 G/HR
LOG SIZE (MAX)	18 INCHES
FIREBOX SIZE	2.5 CU.FT.
GLASS SIZE	209 SQ.IN.
WEIGHT	580 LB.



The Newcastle 2.5 woodstove is a powerful combination of both radiant and convective heat for medium to large spaces. Its “Cast Iron Over Steel” construction results in a superior system to greatly extend longevity over an all cast stove by eliminating metal fatigue.

The Newcastle 2.5 wraps a cast iron profile around Pacific Energy’s 2.5 cubic foot high performance steel firebox. Raised taller for added convenience, the Newcastle woodstoves are easy to light, easy to load, and easy to use. Uniquely designed with swing-out cast iron warming plates, the Newcastle 2.5 provides a concealed cooktop for added convenience during long power outages.



For reference only. Installations should be based on installation manuals. Specifications subject to change.

### STANDARD FEATURES

- Reliable, durable non-catalytic technology
- Air wash system for super clean ceramic glass
- Easy to use ash disposal system
- High-tech multi-port combustion air injection system
- Inside and outside combustion air capable
- Floating firebox for extended stove life
- Heavy plate-steel top
- Porcelain Enamel, or painted finish
- 304 Stainless Steel Baffle, insulation cover, rails and flame shield
- Boost air for easy lighting
- Extended Burn Technology (EBT2)
- Integrated heat exchanger
- East-West loading

### STANDARD FEATURES

- Leveling Legs
- Swing open top
- Mobile Home Approved

### DESIGN OPTIONS

Available in Metallic Black, or a choice of three Porcelain Enamel Colours: Ebony, Majolica or Antique White

### PERFORMANCE OPTIONS

- 140 cfm temperature actuated variable speed blower

 **CAST IRON OVER STEEL**

 **AIR WASH**  
A SYSTEM BY PACIFIC ENERGY

 **BAFFLE SYSTEM**

 **EBT2 EXTENDED BURN**  
TECHNOLOGY

 **FLOATING FIREBOX**

 **KNIFE EDGE DOOR**

 **SELF SEALING ASH DUMP**

 **SINGLE LEVER**  
AIR CONTROL

METALLIC BLACK

EBONY

MAJOLICA

ANTIQUÉ WHITE



CAST IRON OVER STEEL

# ALDERLEA 1.2

## ALDERLEA 1.2 CLASSIC

**FREESTANDING STOVE**  
FOR SMALL TO MEDIUM SPACES

Heat Output Cord Wood

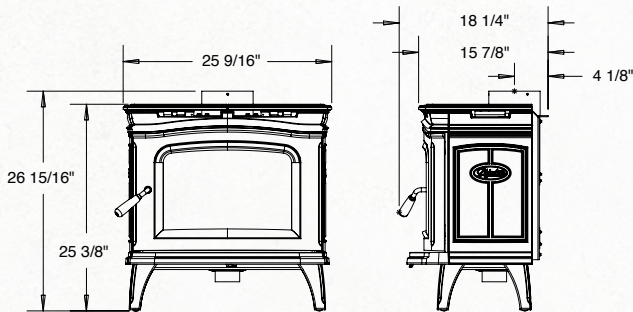
**TBD**

EFFICIENCY (LHV)	TBD
EMISSIONS	TBD.
LOG SIZE (MAX)	16 – 18 INCHES
FIREBOX SIZE	1.2 CU.FT.
GLASS SIZE	173 SQ.IN.
WEIGHT	TBD.

**COMING FALL 2015**

The Alderlea 1.2 takes the tradition of cast iron charm and wraps it over a highly efficient 1.2cubic foot steel firebox. Ideal for the cabin or occasional use rooms, this little stove is designed for heating spaces requiring short burn times. Size does not mean compromise; the Alderlea 1.2 features a wide viewing area, reduced depth for installation flexibility, and a cast iron profile to provide lasting radiant heat.

Choose from a palette of traditional finishes: painted Metallic Black or porcelain enamel in Antique White and Majolica Brown.



ALDERLEA 1.2



ALDERLEA 1.2 CLASSIC

For reference only. Installations should be based on installation manuals. Specifications subject to change.

### STANDARD FEATURES

- Reliable, Durable Non-Catalytic Technology
- Floating Firebox for extended stove life
- Multi-Port Combustion Air Injection System
- Airwash Technology for clear, clean glass
- Swing out food warming shelves
- Inside and outside combustion air capable
- Concealed cooktop
- Steel Baffle and 304 Stainless Steel insulation cover
- Mobile Home approved
- East-West loading

### DESIGN OPTIONS

- 1.2: Metallic black cast iron finish
- 1.2 Classic: Majolica and Antique White porcelain enamel finish

### PERFORMANCE OPTIONS

- Variable-Speed Blower



METALLIC BLACK



MAJOLICA



ANTIQUÉ WHITE



CAST IRON OVER STEEL

# ALDERLEA T4

## ALDERLEA T4 CLASSIC

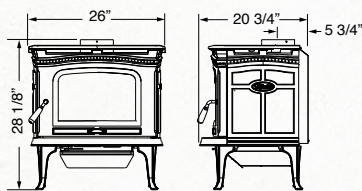
**FREESTANDING STOVE**  
FOR SMALL TO MEDIUM SPACES

Heat Output Cord Wood  
**56,000 BTU**

26,300 BTU EPA Test Fuel

EFFICIENCY (LHV)	74%
EMISSIONS	2.9 GM/HR.
LOG SIZE (MAX)	16-18 INCHES
FIREBOX SIZE	1.4 CU.FT.
GLASS SIZE	118 SQ.IN.
WEIGHT	430 LB.

Alderlea woodstoves redefined the traditional cast iron stove by wrapping a graceful cast iron profile around a high-performance steel firebox, a combination that produces radiant and convection heat, in an efficient, long-burning package. The T4, and the T4 Classic in porcelain enamel, incorporates a huge glass window for a clean view of the flame, warming shelves that swing out to reveal a concealed cook top, efficient heat output and unmatched ease of use. It's a powerful, reliable source of heat with old world charm and unmatched durability.



ALDERLEA T4



ALDERLEA T4 CLASSIC

For reference only. Installations should be based on installation manuals. Specifications subject to change.

### STANDARD FEATURES

- Reliable, Durable Non-Catalytic Technology
- Floating Firebox for extended stove life
- Multi-Port Combustion Air Injection System
- Airwash Technology for clear, clean glass
- Swing out food warming shelves
- Easy cleaning ash system and chute
- Inside and outside combustion air capable
- Concealed cooktop fits 6" x 13" pan
- Fits close wall clearances without heat shields
- Steel Baffle and 304 Stainless Steel
- Insulation cover
- Mobile Home approved
- East-West loading

### PERFORMANCE OPTIONS

- Variable-Speed Blower

### DESIGN OPTIONS

- T4: Metallic black cast iron finish
- T4 Classic: Majolica, Ebony and Antique White porcelain enamel finish

Decorative door inset available for porcelain enamel models



 **CAST IRON OVER STEEL**

 **AIR WASH**  
A SYSTEM OF PORTS FOR ENERGY

 **BAFFLE SYSTEM**

 **FLOATING FIREBOX**

 **KNIFE EDGE DOOR**

 **SELF SEALING ASH DUMP**

 **SINGLE LEVER**  
AIR CONTROL



METALLIC BLACK



EBONY



MAJOLICA



ANTIQUÉ WHITE



CAST IRON OVER STEEL

# ALDERLEA T5

## ALDERLEA T5 CLASSIC

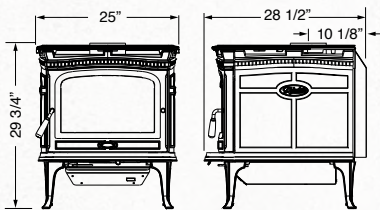
**FREESTANDING STOVE**  
FOR MEDIUM SPACES

Heat Output Cord Wood  
**72,000 BTU**

34,600 BTU EPA Test Fuel

EFFICIENCY (LHV)	80.7%
EMISSIONS	3.4 GM/HR.
LOG SIZE (MAX)	18 INCHES
FIREBOX SIZE	2.2 CU.FT.
GLASS SIZE	196 SQ.IN.
WEIGHT	490 LB.

With elegant, historic styling that adds to the decor of any room, the T5, and the T5 Classic in porcelain enamel, combine the best of cast iron and steel stoves for radiant and convective heat. With a concealed cooktop and a huge glass window for a clean view of the flame, the T5's are easy-to-light, easy-to-use, long-burning wood heaters with old world charm and unmatched durability.



ALDERLEA T5



ALDERLEA T5 CLASSIC

### STANDARD FEATURES

- Reliable, Durable Non-Catalytic Technology
- Floating Firebox for extended stove life
- Multi-port combustion air injection system
- Airwash Technology for clear, clean glass
- Swing out food warming shelves
- Easy cleaning ash system and chute
- Inside and outside combustion air capable
- Boost air for easy lighting
- Concealed cooktop fits 9" x 11" pan
- Fits close wall clearances without heat shields
- 304 Stainless Steel Baffle, insulation cover, rails and flame shield
- Mobile Home approved
- North-South loading

### PERFORMANCE OPTIONS

- 140 cfm Temperature-Actuated
- Variable-Speed Blower

### DESIGN OPTIONS

- T5: Metallic black cast iron finish
- T5 Classic: Majolica, Ebony, and Antique White porcelain enamel finish

Decorative door inset available for porcelain enamel models



 **CAST IRON OVER STEEL**

 **AIR WASH**  
A POWER BY PROTECT ENERGY

 **BAFFLE SYSTEM**

 **FLOATING FIREBOX**

 **KNIFE EDGE DOOR**

 **SELF SEALING ASH DUMP**

 **SINGLE LEVER**  
AIR CONTROL

METALLIC BLACK

EBONY

MAJOLICA

ANTIQUÉ WHITE

For reference only. Installations should be based on installation manuals. Specifications subject to change.





CAST IRON OVER STEEL

# ALDERLEA T6

**FREESTANDING STOVE**  
FOR LARGE SPACES

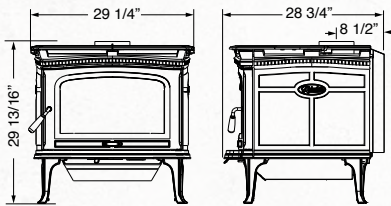
Heat Output Cord Wood

## 99,000 BTU

38,600 BTU EPA Test Fuel

EFFICIENCY (LHV)	80.4%
EMISSIONS	3.5 GM/HR.
LOG SIZE (MAX)	18-20 INCHES
FIREBOX SIZE	3.0 CU.FT.
GLASS SIZE	239 SQ.IN.
WEIGHT	560 LB.

The largest Alderlea woodstove, the T6 is the solution for keeping large spaces warm and comfortable, even through long winter nights. By wrapping a cast iron profile around Pacific Energy's high-performance steel firebox, the T6 produces radiant and convection heat. It's crafted for maximum heating capacity, with Extended Burn Technology (EBT) for all-night burn times, and features a family-sized cooktop and a huge glass window. Like all Pacific Energy woodstoves the T6 is engineered and warranted for a lifetime of wood heat comfort.



For reference only. Installations should be based on installation manuals. Specifications subject to change.

### STANDARD FEATURES

- Reliable, Durable Non-Catalytic Technology
- Floating firebox for extended stove life
- Multi-Port Combustion Air Injection System
- Airwash Technology for clear, clean glass
- Extended Burn Technology (EBT)
- Swing out food warming shelves
- Easy cleaning ash system and chute
- Inside and outside combustion air capable
- Boost air for easy lighting
- Concealed cooktop fits 12" x 15" pan
- fits close wall clearances without heat shields
- 304 Stainless Steel Baffle, insulation cover, rails and flame shield
- Mobile Home approved
- Metallic black cast iron finish
- North-South loading

### PERFORMANCE OPTIONS

- 140 cfm Temperature-Actuated Variable-Speed Blower



 **CAST IRON OVER STEEL**

 **AIR WASH**  
A SYSTEM BY PACIFIC ENERGY

 **BAFFLE SYSTEM**

 **EBT2 EXTENDED BURN**  
EXTENDED BURN TECHNOLOGY

 **FLOATING FIREBOX**

 **KNIFE EDGE DOOR**

 **SELF SEALING ASH DUMP**

 **SINGLE LEVER**  
AIR CONTROL



# NEO 1.6 INSERT

## INSERT

FOR SMALL TO MEDIUM SPACES

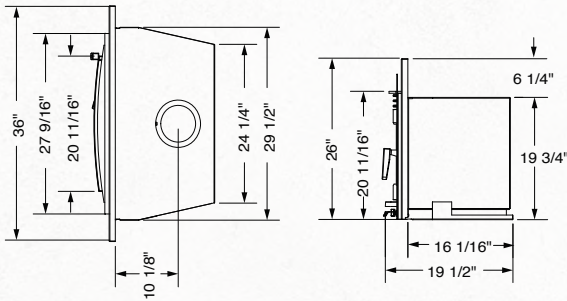
Heat Output Cord Wood

# 70,000 BTU

40,000 BTU EPA Test Fuel

EFFICIENCY (LHV)	81.3%
EMISSIONS	3.4 GM/HR.
LOG SIZE (MAX)	16-18 IN.
FIRBOX SIZE	1.6 CU.FT.
GLASS SIZE	131 SQ.IN.
WEIGHT	285 LBS.

Even a smaller fireplace can be significant source of wood heat, and you don't have to sacrifice contemporary design or the comfort of a fire in the hearth. The Neo 1.6 insert, for existing masonry fireplaces, is a solid, woodburning insert built of heavy-gauge steel with a cast iron door. With advanced heat exchange technology and a secondary combustion baffle, the Neo 1.6 insert delivers exceptionally clean-burning, energy-efficient heating performance... in a flush profile with a large, clear glass window that reveals the flame inside.



For reference only. Installations should be based on installation manuals. Specifications subject to change.

### STANDARD FEATURES

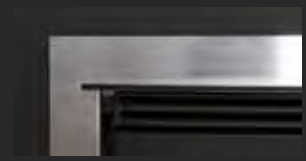
- Reliable, durable non-catalytic technology
- Air wash system for super clean ceramic glass
- High-tech multi-port combustion air injection system
- Inside and outside combustion air capable
- Floating firebox for extended stove life
- Rich Metallic Black finish
- 304 Stainless Steel Baffle, insulation cover, rails and flame shield
- Extended Burn Technology (EBT2)
- Two 45 cfm temperature actuated variable speed blower/s
- Single-Lever Air Control
- Removable Cast-Iron Flue Collar
- East-West loading
- Integrated Heat Exchanger

### DESIGN OPTIONS

- Contemporary Surround in Metallic Black or Stainless Steel (36" x 26")
- Oversize Surround (46" x 30")



### AVAILABLE SURROUNDS





# NEO 2.5 INSERT

## INSERT

FOR MEDIUM TO LARGE SPACES

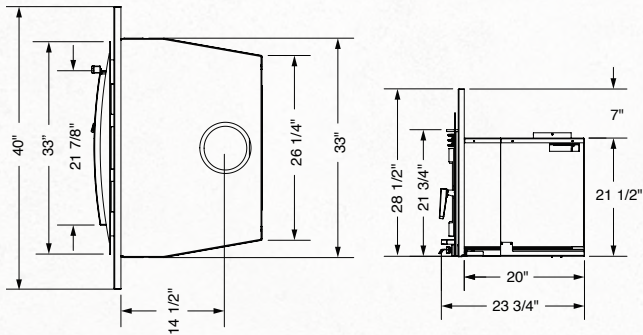
Heat Output Cord Wood

# 85,000 BTU

45,000 BTU EPA Test Fuel

EFFICIENCY (LHV)	80.3%
EMISSIONS	2.85 GM/HR.
LOG SIZE (MAX)	18 IN.
FIRBOX SIZE	2.5 CU.FT.
GLASS SIZE	166 SQ.IN.
WEIGHT	~390 LBS.

Transforms an energy-wasting fireplace into a cost-saving source of heat, without sacrificing the comfort and appeal of the home fire. Accommodating existing masonry fireplaces, the Neo 2.5 insert has Pacific Energy's trusted overbuilt steel construction, including a smooth opening cast iron door, boost air for easy lighting and a one-lever air control for simple operation and maximum burning efficiency. With all the features of the Neo 1.6 in a larger, higher-output format, the Neo 2.5 inserts deliver exceptional performance and durability.



For reference only. Installations should be based on installation manuals. Specifications subject to change.

### STANDARD FEATURES

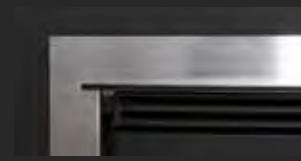
- Reliable, durable non-catalytic technology
- Air wash system for super clean ceramic glass
- High-tech multi-port combustion air injection system
- Inside and outside combustion air capable
- Floating firebox for extended stove life
- Rich Metallic Black finish
- 304 Stainless Steel Baffle, insulation cover, rails and flame shield
- Extended Burn Technology (EBT2)
- 2x80 cfm temperature-actuated variable-speed blower
- Single-Lever Air Control
- Removable Cast-Iron Flue Collar
- East-West loading
- Integrated Heat Exchanger

### DESIGN OPTIONS

- Contemporary Surround in Metallic Black or Stainless Steel (40" x 28")
- Oversize Surround (48" x 32")



### AVAILABLE SURROUNDS





TRADITIONAL SERIES  
**VISTA**  
**INSERT**

**INSERT**  
 FOR SMALL TO MEDIUM SPACES

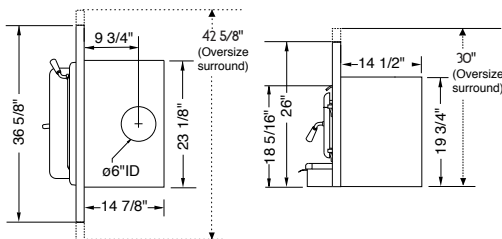
Heat Output Cord Wood

**56,000 BTU**

26,300 BTU EPA Test Fuel

EFFICIENCY (LHV)	74%
EMISSIONS	2.9 GM/HR.
LOG SIZE (MAX)	16-18 IN.
FIRBOX SIZE	1.4 C.FT.
GLASS SIZE	9103 SQ.IN.
WEIGHT	255 LBS.

For woodstove heating in smaller masonry or factory-built fireplaces, choose the Vista Insert. Designed to deliver efficient combustion and controlled heat, it raises the burn temperature while extending the burn time, providing more heat from less fuel. Like all Pacific Energy inserts it's easy to light, easy to use, and provides a clear view of the flame. With a variable speed fan, clean-glass airwash technology and heavy-gauge overbuilt construction, the Vista will provide many years of comfort and enjoyment.



For reference only. Installations should be based on installation manuals. Specifications subject to change.

**STANDARD FEATURES**

- Reliable, durable non-catalytic technology
- Single-Lever Air Control
- Airwash Technology for clear, clean glass
- Floating firebox for extended stove life
- Plate-steel top
- Steel Baffle and 304 Stainless Steel
- Insulation cover
- Boost air for easy lighting
- 80 cfm temperature-actuated
- variable-speed blower
- East-West loading

**DESIGN OPTIONS**

- Arched door: choice of four finishes
- Embossed Surround, Standard Size (36.5" x 26")
- Embossed Surround, Oversize (42" x 30")
- Flat Surround, Oversize (42" x 30")







TRADITIONAL SERIES  
**SUPER  
 INSERT**

**INSERT**  
 FOR MEDIUM SPACES

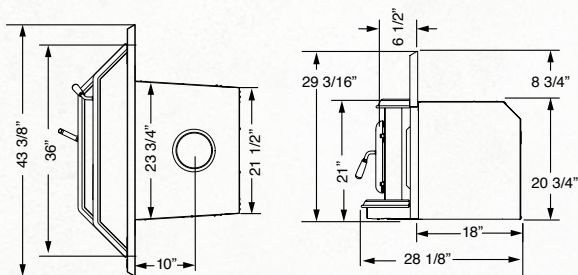
Heat Output Cord Wood

**72,000 BTU**

34,600 BTU EPA Test Fuel

EFFICIENCY (LHV)	80.7%
EMISSIONS	3.4 GM/HR.
LOG SIZE (MAX)	18 IN.
FIRBOX SIZE	2.2 CU.FT.
GLASS SIZE	122 SQ.IN.
WEIGHT	345 LBS.

Pacific Energy's best selling wood insert lets you enjoy efficient heating without losing the ambience of an open fire. The Super Insert, with its large, ceramic glass door gives you the full comfort and view of your log fire. Transform your drafty fireplace into an easy-to-light, easy-to-load reliable source of heat.



**STANDARD FEATURES**

- Reliable, durable non-catalytic technology
- Single-Lever Air Control
- Air wash system for super clean ceramic glass
- High-tech multi-port combustion air injection system
- Inside and outside combustion air capable
- Floating firebox for extended stove life
- Rich Metallic Black finish
- 304 Stainless Steel Baffle, insulation cover, rails and flame shield
- 2x80 cfm temperature-actuated variable speed blowers
- Boost air for easy lighting
- Cast iron warming shelf and ash lip
- North-South loading

**DESIGN OPTIONS**

- Arched or Radiant door in four finishes
- Embossed Surround, Standard Size (43" x 29")
- Embossed Surround, Oversize (48" x 33")
- Flat Surround, Oversize (48" x 33")



For reference only. Installations should be based on installation manuals. Specifications subject to change.



# SUMMIT INSERT

**INSERT**  
FOR LARGE SPACES

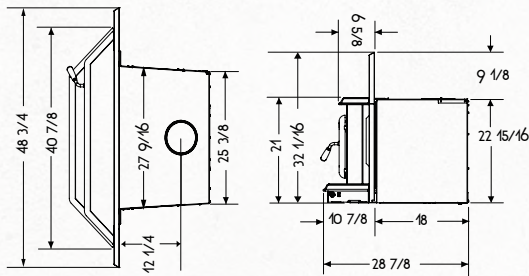
Heat Output Cord Wood

## 99,000 BTU

38,500 BTU EPA Test Fuel

EFFICIENCY (LHV)	80.4%
EMISSIONS	3.5 GM/HR.
LOG SIZE (MAX)	18-20 IN.
FIRBOX SIZE	3.0 CU.FT.
GLASS SIZE	151 SQ.IN.
WEIGHT	465 LBS.

For heating large spaces with an existing masonry fireplace, the Summit Insert is the solution. The first insert with patented Extended Burn Technology, the Summit provides ten full hours of controlled burning for a full night of wood-heated comfort. An efficient, clean-burning heat source, the Summit insert is easy to light, easy to use, and offers a large window that provides a clear view of the flame. With a variable speed fans, clean-glass airwash technology and heavy-gauge overbuilt construction, the Summit will provide many years of comfort and enjoyment.



### STANDARD FEATURES

- Reliable, durable non-catalytic technology
- Single-Lever Air Control
- Airwash Technology for clear, clean glass
- Multi-port combustion air injection system
- Inside and outside combustion air capable
- Floating firebox for extended stove life
- Safe, easy front-to-back fuel loading
- Metallic black finish
- Cast iron warming shelf & ash lip
- 304 Stainless Steel Baffle, insulation cover, rails and flame shield
- Boost air for easy lighting
- 2x80 cfm temperature-actuated variable-speed blowers
- Extended Burn Technology (EBT2)
- North-South loading

### DESIGN OPTIONS

- Arched door: choice of four finishes
- Embossed Surround, Standard Size (50" x 32")
- Embossed Surround, Oversize (54" x 34")
- Flat Surround, Oversize (54" x 34")





# T5 INSERT

## T5 INSERT CLASSIC

**INSERT**  
FOR MEDIUM SPACES

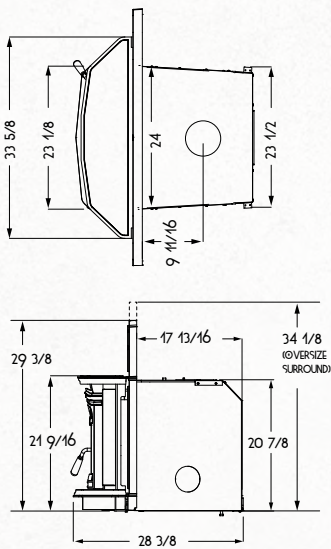
Heat Output Cord Wood

# 72,000 BTU

34,600 BTU EPA Test Fuel

EFFICIENCY (LHV)	80.7%
EMISSIONS	3.4 GM/HR.
LOG SIZE (MAX)	18 IN.
FIRBOX SIZE	2.2 CU.FT.
GLASS SIZE	196 SQ.IN.
WEIGHT	345 LBS.

Transform your fireplace into an efficient heating system with traditional cast iron styling of the T5 Insert, or the beauty and charm of the T5 Classic Insert in lustrous porcelain enamel. Designed to deliver efficient combustion and controlled heat, T5 inserts raise the burn temperature while extending the burn time, providing more heat from less fuel. Like all Pacific Energy inserts they are easy to light, easy to use, and provides a clear view of the flame. With a variable speed fan, clean-glass airwash technology and heavy-gauge overbuilt construction, the T5 Inserts will provide many years of comfort and enjoyment.



ALDERLEA T5



ALDERLEA T5 CLASSIC

### STANDARD FEATURES

- Reliable, durable non-catalytic technology
- Floating firebox for extended stove life
- Airwash Technology for clear, clean glass
- Safe, easy straight-in loading
- Single-Lever Air Control
- 304 Stainless Steel Baffle, insulation cover, rails and flame shield
- Inside and outside combustion air capable
- 2x80 cfm temperature-actuated variable-speed blowers
- Metallic black cast iron finish (T5 Insert)
- North-South loading

### DESIGN OPTIONS

- T5 Classic Insert: Majolica, Ebony or Ivory porcelain enamel finish
- Surround top: standard or oversized
- Standard Surround Top (42 1/2"W x 30 3/8" H)
- Oversized Surround Top (42 1/2"W x 34 1/8" H)

**CAST IRON OVER STEEL**

**AIR WASH**  
A POWER BY PACIFIC ENERGY

**BAFFLE SYSTEM**

**FLOATING FIREBOX**

**KNIFE EDGE DOOR**

**SINGLE LEVER**  
AIR CONTROL

METALLIC BLACK

EBONY

MAJOLICA

IVORY

For reference only. Installations should be based on installation manuals. Specifications subject to change.



# FP16

## FIREPLACE

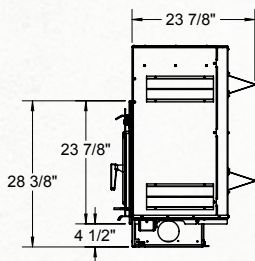
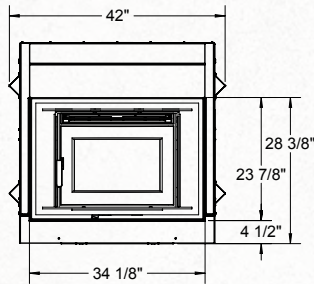
FOR SMALL – MEDIUM SPACES

### Heat Output Cord Wood 70,000 BTU

35,000 BTU EPA Test Fuel

EFFICIENCY (LHV)	70.2%
EMISSIONS	3.09 GM/HR.
LOG SIZE (MAX)	16–18 INCHES
FIREBOX SIZE	1.6 CU.FT.
GLASS SIZE	173 SQ.IN.
WEIGHT	TBD

Built for a lifetime of clean woodburning heat, the FP16 is an exceptional heating solution for small to medium spaces. Highly efficient and EPA Certified, the FP16 zero clearance woodburning fireplace features Pacific Energy’s renowned heavy gauge steel floating firebox, high capacity stainless steel baffle system, EBT2 for extended burn times, and famous clean airwash technology. A powerful performer, the FP16 ensures comfort and enjoyment all throughout the season.



For reference only. Installations should be based on installation manuals. Specifications subject to change.

#### STANDARD FEATURES

- Reliable, durable non-catalytic technology
- Air wash system for super clean ceramic glass
- Boost air for easy lighting
- Oversize glass viewing window
- Floating firebox for extended stove life
- 304 Stainless Steel Baffle, insulation cover, rails and flame shield
- High-tech multi-port combustion air injection system
- Extended Burn Technology (EBT2)
- Integrated heat exchanger
- East-West loading
- 2x45 cfm temperature actuated blowers
- Single-Lever Air Control
- Cast iron door
- Inside and outside combustion air capable
- Mobile Home Approved
- EPA Certified







# FP25

**FIREPLACE**  
FOR MEDIUM SPACES

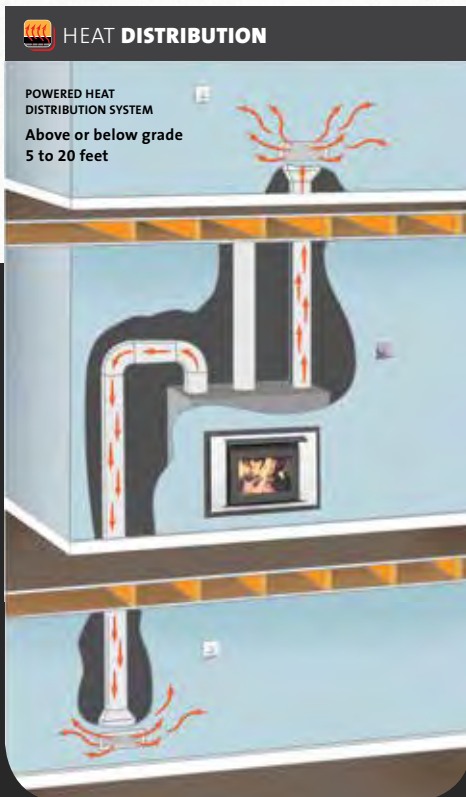
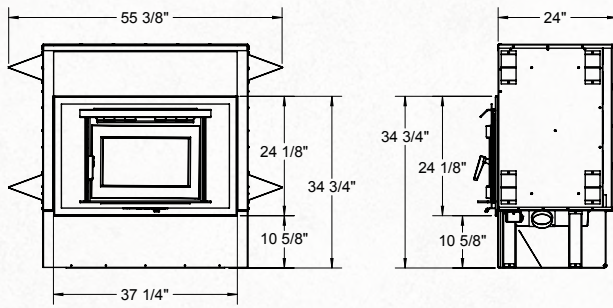
Heat Output Cord Wood  
**85,000 BTU**

33,000 BTU EPA Test Fuel

EFFICIENCY (LHV)	72.6%
EMISSIONS	3.47 GM/HR.
LOG SIZE (MAX)	18 INCHES
FIREBOX SIZE	2.5 CU.FT.
GLASS SIZE	184 SQ.IN.
WEIGHT	TBD

Heat medium spaces with the reduced footprint of a wall-mount fireplace. The FP25 offers exceptional wood heat performance with a large contemporary cast iron door and viewing area. Crafted with a floating firebox of heavy gauge steel, a high capacity baffle system, and EBT2 extended burn technology, this full-featured zero clearance fireplace is easy to load, easy to light, and will offer years of reliable heat for your home.

Homeowners can supplement their heat source with an optional Heat Distribution System with the FP25 Each heat duct is independently switch controlled, transferring heat into isolated rooms, and allowing for on demand control and comfort.



**STANDARD FEATURES**

- Reliable, durable non-catalytic technology
- Air wash system for super clean ceramic glass
- Boost air for easy lighting
- Oversize glass viewing window
- Floating firebox for extended stove life
- 304 Stainless Steel Baffle, insulation cover, rails and flame shield
- High-tech multi-port combustion air injection system
- Extended Burn Technology (EBT2)
- Integrated heat exchanger
- East-West loading
- 2x80 cfm temperature actuated blowers
- Single-Lever Air Control
- Cast iron door
- Inside and outside combustion air capable
- Mobile Home Approved
- EPA Certified

**PERFORMANCE OPTIONS**

EPA Certified Powered Heat Distribution System

- AIR WASH  
A SYSTEM BY PACIFIC ENERGY
- BAFFLE SYSTEM
- EBT2 EXTENDED BURN  
ELECTRONIC TECHNOLOGY
- FLOATING FIREBOX
- HEAT DISTRIBUTION
- KNIFE EDGE DOOR
- SINGLE LEVER  
AIR CONTROL

For reference only. Installations should be based on installation manuals. Specifications subject to change.



# FP30

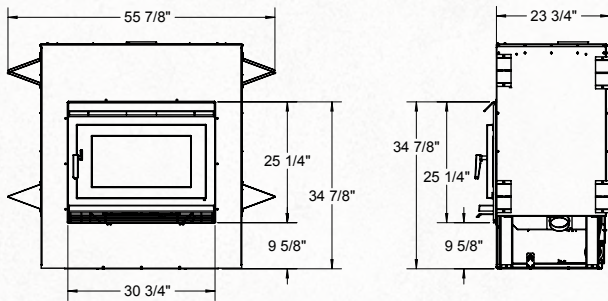
**FIREPLACE**  
FOR LARGE SPACES

Heat Output Cord Wood  
**99,000 BTU**

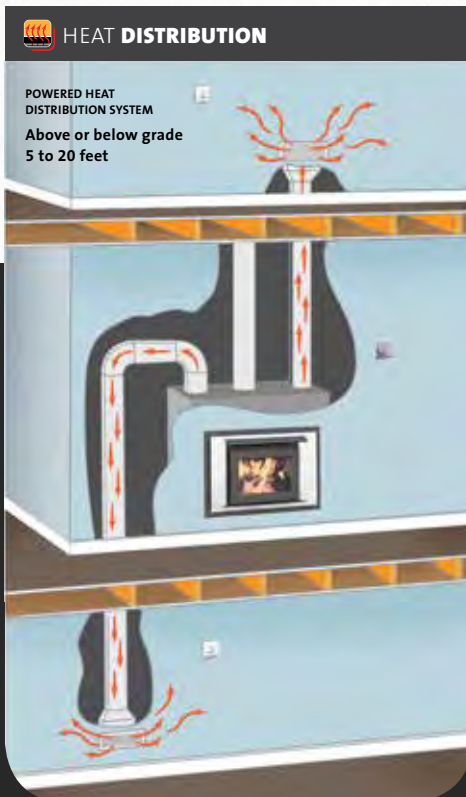
38,500 BTU EPA Test Fuel

EFFICIENCY (LHV)	76.8%
EMISSIONS	2.47 GM/HR.
LOG SIZE (MAX)	18-20 INCHES
FIREBOX SIZE	3.0 CU.FT.
GLASS SIZE	246 SQ.IN.
WEIGHT	APPROX. 626 LB.

**NEW DESIGN AND CLEARANCES FOR 2015**



Heat larger spaces with the reduced footprint of a wall-mount fireplace: the FP30 offers the best of traditional wood heat, with a contemporary look and all the Pacific Energy extras. Handcrafted with a floating firebox of heavy gauge steel, a high capacity baffle system, and EBT2 extended heat technology, this full-featured unit is designed for a lifetime of efficient, effective heating. And with clean, uncluttered lines and a huge viewing window (that remains clear with Airwash technology) it meets the highest expectations for form and function.



**STANDARD FEATURES**

- Reliable, durable non-catalytic technology
- Air wash system for super clean ceramic glass
- Boost air for easy lighting
- Oversize glass viewing window
- Floating firebox for extended stove life
- 304 Stainless Steel Baffle, insulation cover, rails and flame shield
- High-tech multi-port combustion air injection system
- Extended Burn Technology (EBT2)
- Integrated heat exchanger
- North-South loading
- 2x80 cfm temperature actuated blowers
- Single-Lever Air Control
- Cast iron door with ash lip (Contemporary)
- Inside and outside combustion air capable
- Mobile Home Approved
- EPA Certified

**PERFORMANCE OPTIONS**

- EPA Certified Powered Heat Distribution System
- AIR WASH**  
A SYSTEM BY PACIFIC ENERGY
- BAFFLE SYSTEM**
- EBT2 EXTENDED BURN**  
TECHNOLOGY
- FLOATING FIREBOX**
- HEAT DISTRIBUTION**
- KNIFE EDGE DOOR**
- SINGLE LEVER**  
AIR CONTROL

For reference only. Installations should be based on installation manuals. Specifications subject to change.



# FP16 ARCH

## FIREPLACE

FOR SMALL – MEDIUM SPACES

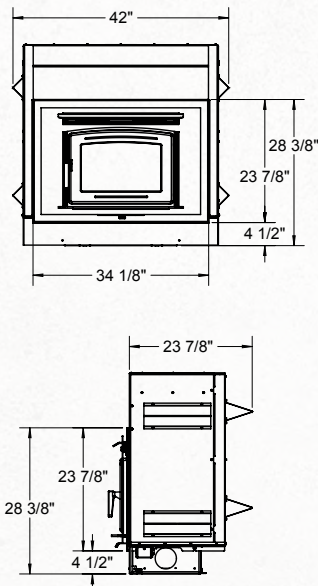
### Heat Output Cord Wood

# 70,000 BTU

35,000 BTU EPA Test Fuel

EFFICIENCY (LHV)	70.2%
EMISSIONS	3.09 GM/HR.
LOG SIZE (MAX)	16–18 INCHES
FIREBOX SIZE	1.6 CU.FT.
GLASS SIZE	173 SQ.IN.
WEIGHT	TBD

Enjoy the fire through a large traditional arched door with the FP16 ARCH. Boasting all the extraordinary features of the FP16, the FP16 ARCH is designed for a lifetime of trouble-free, clean woodburning heat. Highly efficient and EPA Certified, the FP16 ARCH is powered by our renowned floating firebox, high capacity baffle system, and EBT2 for extended burn times. Choose from a surround trim of Metallic Black or Stainless Steel.



### STANDARD FEATURES

Reliable, durable non-catalytic technology  
 Air wash system for super clean ceramic glass  
 Boost air for easy lighting  
 Oversize glass viewing window  
 Floating firebox for extended stove life  
 304 Stainless Steel Baffle, insulation cover, rails and flame shield  
 High-tech multi-port combustion air injection system  
 Extended Burn Technology (EBT2)  
 Integrated heat exchanger  
 East-West loading  
 2x45 cfm temperature actuated blowers  
 Single-Lever Air Control  
 Cast iron door  
 Inside and outside combustion air capable  
 Mobile Home Approved  
 EPA Certified





# FP25 ARCH

**FIREPLACE**  
FOR MEDIUM SPACES

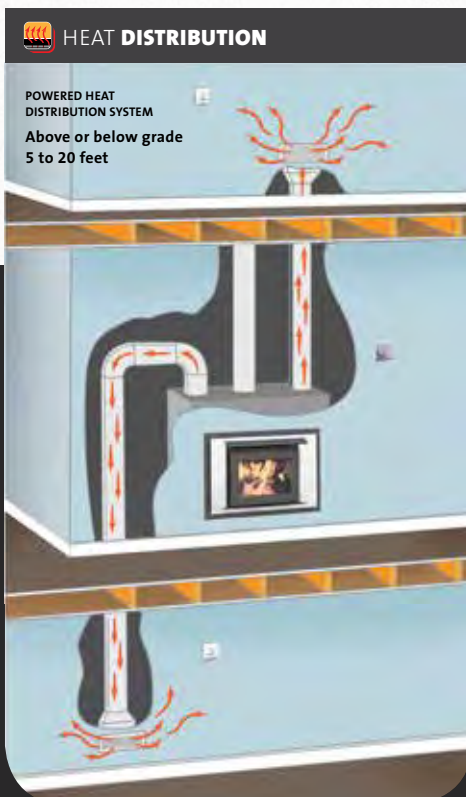
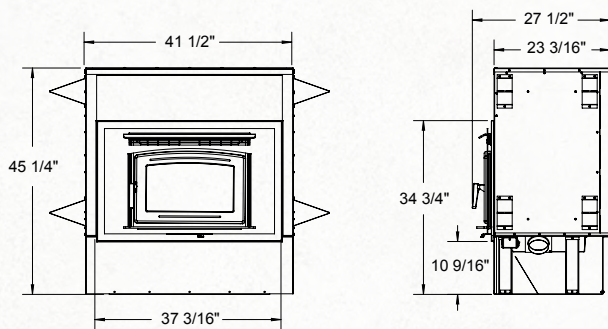
## Heat Output Cord Wood 85,000 BTU

33,000 BTU EPA Test Fuel

EFFICIENCY (LHV)	72.6%
EMISSIONS	3.47 GM/HR.
LOG SIZE (MAX)	18 INCHES
FIREBOX SIZE	2.5 CU.FT.
GLASS SIZE	184 SQ.IN.
WEIGHT	TBD

When looking for a more traditional fireplace design for your home, the bold play of the FP25 ARCH combines the modern convenience of a wall-mounted fireplace with classic arched detail. Highly efficient and EPA Certified, the FP25 ARCH is powered by our renowned floating firebox, high capacity baffle system, and EBT2 for extended burn times.

Homeowners can supplement their heat source with an optional Heat Distribution System with the FP25 ARCH. Each heat duct is independently switch controlled, transferring heat into isolated rooms, and allowing for on demand control and comfort.



### STANDARD FEATURES

- Reliable, durable non-catalytic technology
- Air wash system for super clean ceramic glass
- Boost air for easy lighting
- Oversize glass viewing window
- Floating firebox for extended stove life
- 304 Stainless Steel Baffle, insulation cover, rails and flame shield
- High-tech multi-port combustion air injection system
- Extended Burn Technology (EBT2)
- Integrated heat exchanger
- East-West loading
- 2x80 cfm temperature actuated blowers
- Single-Lever Air Control
- Cast iron door
- Inside and outside combustion air capable
- Mobile Home Approved
- EPA Certified

### PERFORMANCE OPTIONS

EPA Certified Powered Heat Distribution System



For reference only. Installations should be based on installation manuals. Specifications subject to change.





# FP30 ARCH

**FIREPLACE**  
FOR LARGE SPACES

Heat Output Cord Wood

## 99,000 BTU

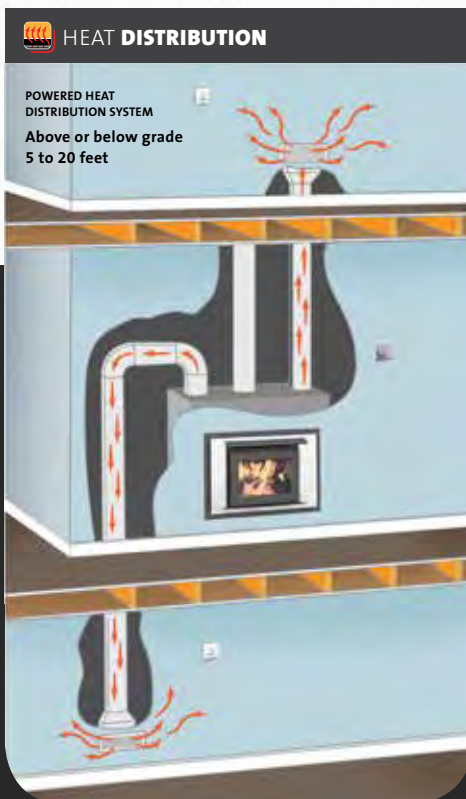
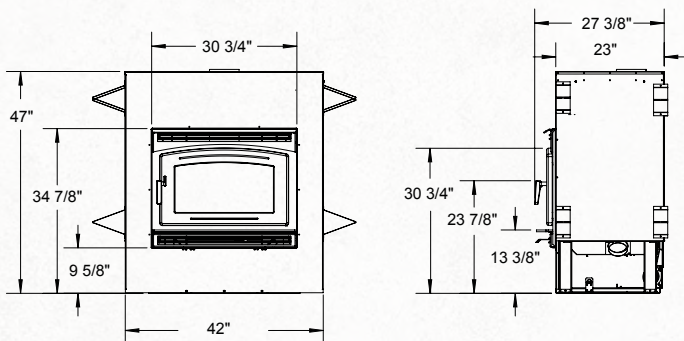
38,500 BTU EPA Test Fuel

EFFICIENCY (LHV)	76.8%
EMISSIONS	2.47 GM/HR.
LOG SIZE (MAX)	18-20 INCHES
FIREBOX SIZE	3.0 CU.FT.
GLASS SIZE	246 SQ.IN.
WEIGHT	APPROX. 626 LB.

**NEW DESIGN AND CLEARANCES FOR 2015**

Enjoy the full size and performance of the FP30 ARCH zero clearance fireplace with a classic arched door to complement traditional homes. With uncompromised features and performance; a floating firebox of heavy gauge steel, high capacity baffle system, and EBT2 extended heat technology, the FP30 Arch meets the need for high-capacity wood heat, with the space savings and convenience of a wall-mounted fireplace.

Homeowners can supplement their heat source with an optional Heat Distribution System with the FP30 ARCH. Each heat duct is independently switch controlled, transferring heat into isolated rooms, and allowing for on demand control and comfort.



### STANDARD FEATURES

- Reliable, durable non-catalytic technology
- Air wash system for super clean ceramic glass
- Boost air for easy lighting
- Oversize glass viewing window
- Floating firebox for extended stove life
- 304 Stainless Steel Baffle, insulation cover, rails and flame shield
- High-tech multi-port combustion air injection system
- Extended Burn Technology (EBT2)
- Integrated heat exchanger
- North-South loading
- 2x80 cfm temperature actuated blowers
- Single-Lever Air Control
- Cast iron door with ash lip (Contemporary)
- Inside and outside combustion air capable
- Mobile Home Approved
- EPA Certified

### PERFORMANCE OPTIONS

EPA Certified Powered Heat Distribution System

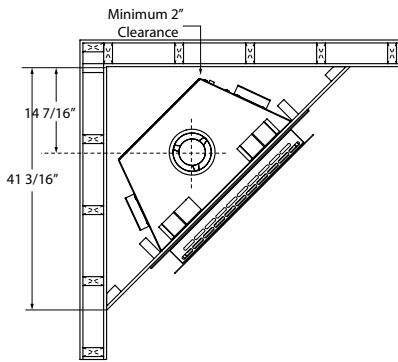
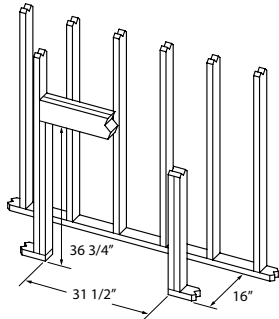
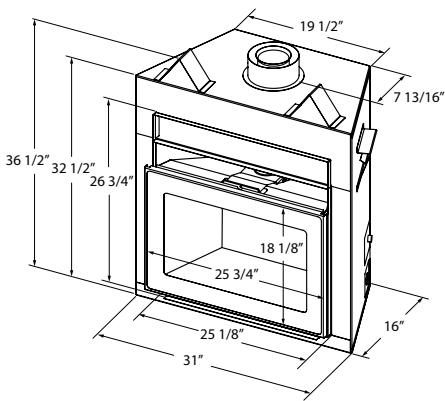


For reference only. Installations should be based on installation manuals. Specifications subject to change.

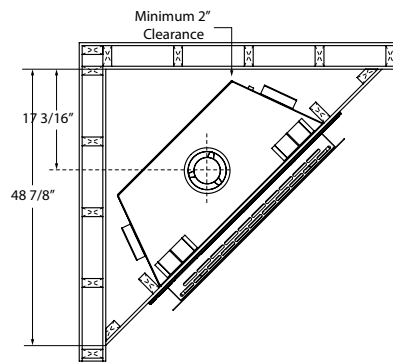
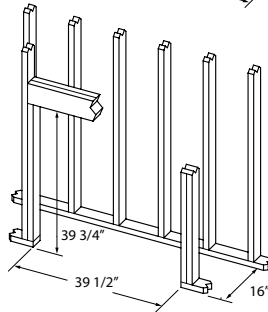
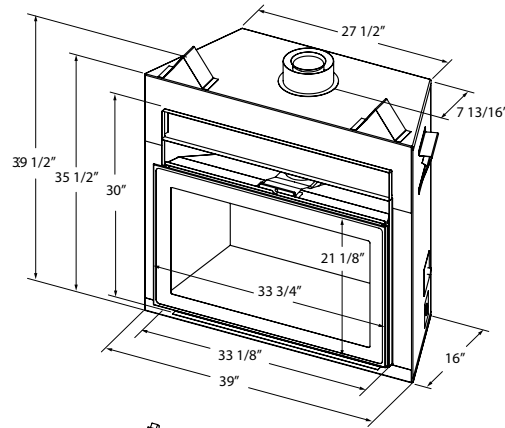
# GAS APPLIANCE DIMENSIONS & FRAMING GUIDE

For reference only. Installation instructions must be consulted before framing. Specifications subject to change without notice.

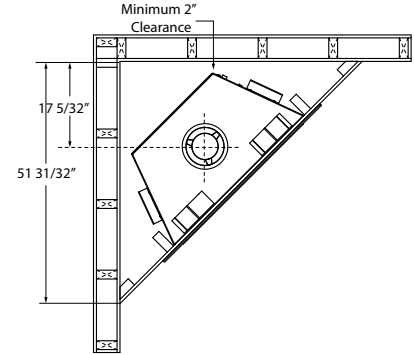
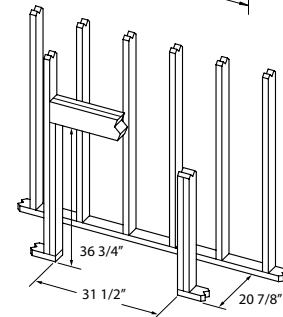
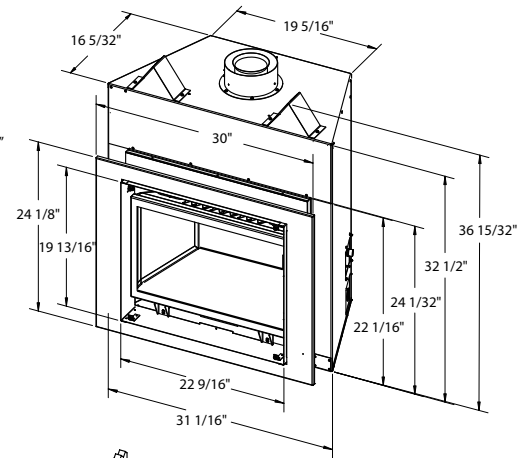
## ESTEEM



## ESTATE



## CASCO

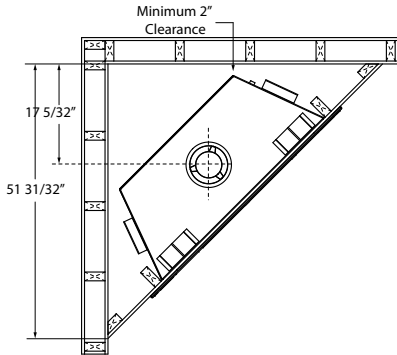
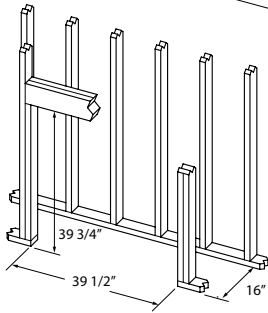
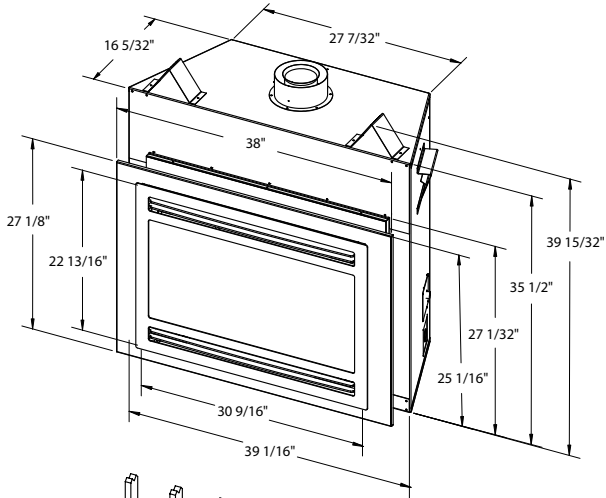


## MINIMUM CLEARANCES TO COMBUSTIBLE MATERIAL

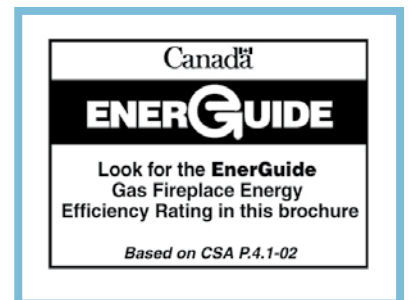
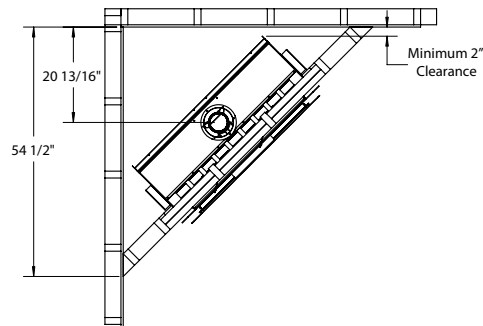
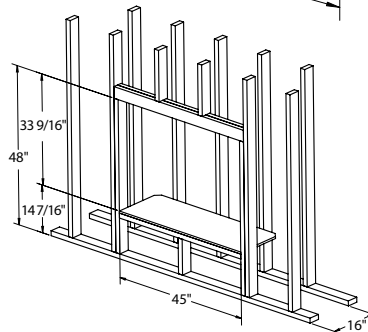
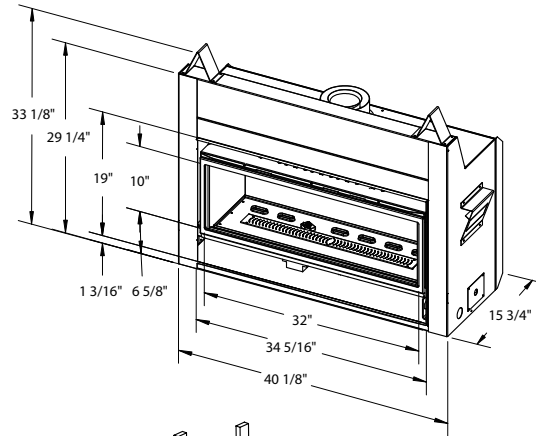
For reference only. Installation instructions must be consulted before framing. Specifications subject to change without notice.

	ESTEEM, ESTATE, CASCO, CAMDEN	ESPRIT
Enclosed Side Wall	1.75"	1.75"
Enclosed Back Wall	no clearance required	no clearance required
Enclosed Ceiling	4"	4"
Enclosed Front Wall	no clearance required	24" non combustible from top lip of unit
Exposed Side Wall	8"	8" from side of the glass
Vent Enclosure	1"	1"
Exterior Soffit	30"	16"

## CAMDEN



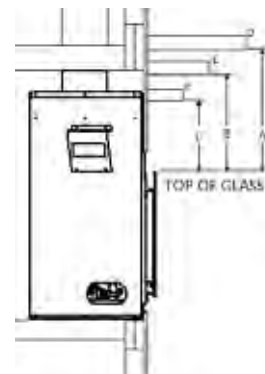
## ESPRIT



## MANTEL CLEARANCES – GAS FIREPLACES

For reference only. Installation instructions must be consulted before framing. Specifications subject to change without notice.

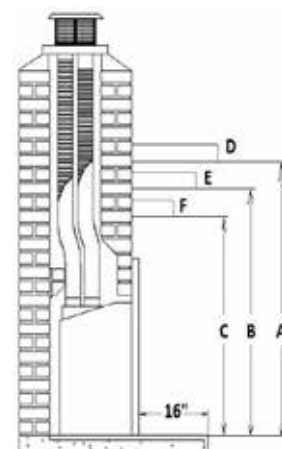
	ESTEEM	ESTATE	CASCO (louvered)	CASCO (contoured)	CAMDEN (louvered)	CAMDEN (contoured)	ESPRIT
A	19"	21"	12"	15"	26"	15"	36"
B	19"	21"	12"	14.5"	24.5"	14.5"	36"
C	19"	21"	12"	15"	23"	15"	36"
D	12"	12"	12"	12"	12"	12"	12"
E	9"	9"	9"	9"	9"	9"	9"
F	6"	6"	6"	6"	6"	6"	6"



## MANTEL CLEARANCES – GAS FIREPLACE INSERTS

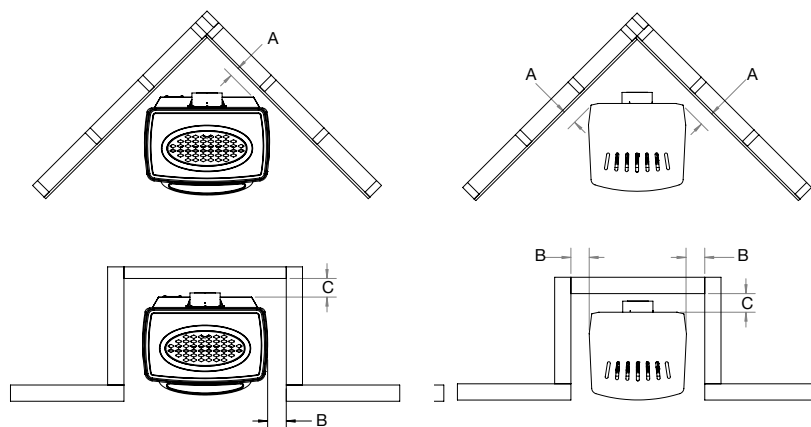
For reference only. Installation instructions must be consulted before framing. Specifications subject to change without notice.

	BROADWAY	BRENTWOOD	BRISTOL (louvered) flat   bevelled surround	BRISTOL (contoured) flat   bevelled surround	BEDFORD (louvered) flat   bevelled surround	BEDFORD (contoured) flat   bevelled surround
	from top of glass		from floor			
A	20.5"	32"	37"   33"	30"   30"	45"   45"	37"   33"
B	16"	32"	36"   33"	29"   29"	44"   44"	36.5"   33"
C	11"	32"	35"   33"	28"   28"	43"   43"	36"   33"
D	12"	12"	12"	12"	12"	12"
E	9"	9"	9"	9"	9"	9"
F	6"	6"	6"	6"	6"	6"
Sidewall Clear.	8"	8"	8"	8"	8"	8"



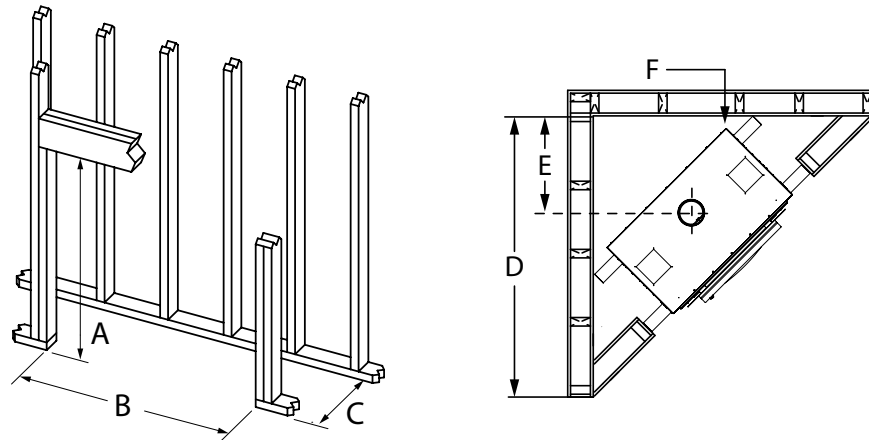
## CLEARANCES TO COMBUSTABLES – GAS STOVES

	TRENTON	MIRAGE 18	MIRAGE 30
A	2"	3"	3"
B	4"	4"	4"
C	4"	4"	4"



# ZERO CLEARANCE FIREPLACES FRAMING GUIDE

For reference only. Installation instructions must be consulted before framing. Specifications subject to change without notice.



## MINIMUM FRAMING DIMENSIONS

	FP16	FP16 Arch	FP25	FP25 Arch	FP30	FP30 Arch
A	55 1/2"	55 1/2"	62"	62"	63 1/2"	63 1/2"
B <sup>1</sup>	42"	42"	56"	56"	56"	56"
C <sup>1,2</sup>	24"	24"	24"	24"	24"	24"
D	57 3/8"	57 3/8"	68 3/8"	68 3/8"	73 1/2"	73 1/2"
E	21 1/2"	21 1/2"	23 7/8"	23 7/8"	25 1/4"	25 1/4"
F	2"	2"	3 1/8"	3 1/8"	5 1/2"	5 1/2"

1) NOT INCLUDING CHASE LINING IF USED 2) NOT INCLUDING FACING MATERIALS

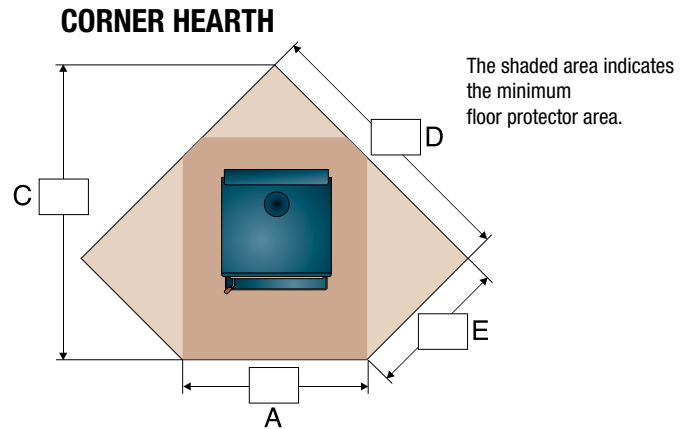
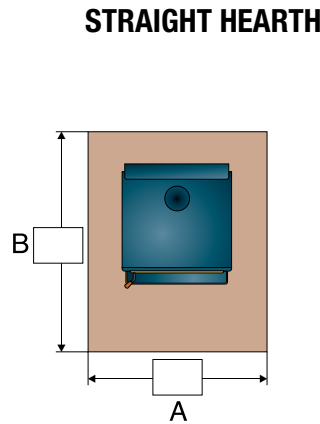
## MANTLE CLEARANCES

MANTLE DEPTH	HEIGHT FROM BASE OF UNIT					
	FP16	FP16 Arch	FP25	FP25 Arch	FP30	FP30 Arch
4"	46 1/2"	46 1/2"	50 3/4"	50 3/4"	51"	51"
5"	47"	47"	50 3/4"	50 3/4"	51 1/2"	51 1/2"
6"	47 1/2"	47 1/2"	50 3/4"	50 3/4"	52"	52"
7"	48"	48"	50 3/4"	50 3/4"	52 1/2"	52 1/2"
8"	48 1/2"	48 1/2"	50 3/4"	50 3/4"	53"	53"
9"	49"	49"	50 3/4"	50 3/4"	53 1/2"	53 1/2"
10"	49 1/2"	49 1/2"	50 3/4"	50 3/4"	54"	54"
11"	50"	50"	50 3/4"	50 3/4"	54 1/2"	54 1/2"
12"	50 1/2"	50 1/2"	50 3/4"	50 3/4"	55"	55"

# WOOD APPLIANCE FLOOR PROTECTOR - CANADA



The charts shown below give the required dimensions of floor protector sizes based on various appliance installations.



	Alderlea T4 (Classic)					Alderlea T5 (Classic)					Alderlea T6				
	A	B	C	D	E	A	B	C	D	E	A	B	C	D	E
Minimum (Not extended to back wall)	40"	43 1/4"	-	-	-	40"	50 1/2"	-	-	-	43"	50 1/2"	-	-	-
Residential, single wall, vertical connector	40"	50 1/4"	60 7/8"	57 1/4"	29"	40"	54 1/2"	67 7/8"	62 1/8"	33 7/8"	43"	51 1/2"	66"	62"	31 1/2"
Residential, single wall, horizontal connector	40"	48 1/4"	60 7/8"	57 1/4"	29"	40"	50 1/2"	67 7/8"	62 1/8"	33 7/8"	43"	51 1/2"	66"	62"	31 1/2"
Residential, double wall, vertical connector	40"	42 1/4"	51"	50 1/4"	22"	40"	47 1/2"	58"	55 1/8"	26 7/8"	43"	50"	64 3/4"	61"	30 1/2"
Alcove, double wall, connector	40"	46 1/4"	-	-	-	40"	52 1/2"	-	-	-	43"	52 1/2"	-	-	-
Mobile home	40"	47 1/4"	58 1/8"	55 1/4"	27"	40"	50 1/2"	63 5/8"	59 1/8"	30 7/8"	43"	52 1/2"	69"	64"	33 1/2"

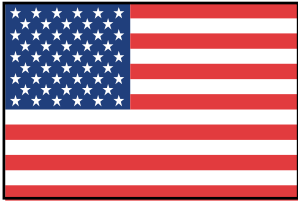
	Neo 1.6					Neo 2.5					Newcastle 1.6				
	A	B	C	D	E	A	B	C	D	E	A	B	C	D	E
Minimum (Not extended to back wall)	43 1/8"	45 5/8"	-	-	-	45 3/8"	49 3/8"	-	-	-	42 1/2"	44"	-	-	-
Residential, single wall, vertical connector	43 1/8"	49 5/8"	59 7/8"	57 5/8"	27 1/8"	45 3/8"	53 3/8"	62 3/8"	60 1/8"	28"	42 1/2"	48"	60 1/8"	58"	27 1/8"
Residential, single wall, horizontal connector	43 1/8"	49 5/8"	59 7/8"	57 5/8"	27 1/8"	45 3/8"	53 3/8"	62 3/8"	60 1/8"	28"	42 1/2"	48"	60 1/8"	58"	27 1/8"
Residential, double wall, vertical connector	43 1/8"	42 5/8"	52 3/4"	52 1/2"	22"	45 3/8"	46 3/8"	55 1/4"	55 1/8"	23"	42 1/2"	41"	51 3/4"	51 5/8"	21 5/8"
Alcove, double wall, connector	43 1/8"	42 5/8"	-	-	-	45 3/8"	46 3/8"	-	-	-	42 1/2"	41"	-	-	-
Mobile home	43 1/8"	42 5/8"	52 3/4"	52 1/2"	22"	45 3/8"	46 3/8"	55 1/4"	55 1/8"	23"	42 1/2"	41"	51 3/4"	51 5/8"	21 5/8"

	Newcastle 2.5					Super 27 (Super Classic)					Summit (Classic)				
	A	B	C	D	E	A	B	C	D	E	A	B	C	D	E
Minimum (Not extended to back wall)	44 1/2"	48 1/2"	-	-	-	40"	50 1/2"	-	-	-	41 1/2"	51 1/2"	-	-	-
Residential, single wall, vertical connector	44 1/2"	52 3/8"	64"	61"	29 1/2"	40"	54 1/2"	67 7/8"	62 1/8"	33 7/8"	41 1/2"	52 1/2"	62 1/2"	58 7/8"	29 1/2"
Residential, single wall, horizontal connector	44 1/2"	52 3/8"	64"	61"	29 1/2"	40"	50 1/2"	67 7/8"	62 1/8"	33 7/8"	41 1/2"	52 1/2"	61 1/16"	57 7/8"	28 1/2"
Residential, double wall, vertical connector	44 1/2"	45 3/8"	57"	56"	24 1/2"	40"	47 1/2"	58"	55 1/8"	26 7/8"	41 1/2"	51"	65 5/16"	60 7/8"	31 1/2"
Alcove, double wall, connector	44 1/2"	45 3/8"	-	-	-	40"	52 1/2"	-	-	-	41 1/2"	53 1/2"	-	-	-
Mobile home	44 1/2"	45 3/8"	57"	56"	24 1/2"	40"	50 1/2"	63 5/8"	59 1/8"	30 7/8"	41 1/2"	53 1/2"	65 5/16"	60 7/8"	31 1/2"

	Vista (Classic)				
	A	B	C	D	E
Minimum (Not extended to back wall)	40"	43 1/4"	-	-	-
Residential, single wall, vertical connector	40"	50 1/4"	59 5/8"	56 1/4"	28"
Residential, single wall, horizontal connector	40"	48 1/4"	59 5/8"	56 1/4"	28"
Residential, double wall, vertical connector	40"	42 1/4"	49 3/4"	49 1/2"	21"
Alcove, double wall, connector	40"	46 1/4"	-	-	-
Mobile home	40"	47 1/4"	56 3/4"	54 1/4"	26"

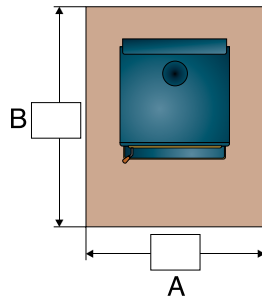
Note: In most practical applications the floor protection will extend to the back wall. In Canada and U.S.A. it is not required that the floor protection extend to the wall and in such cases floor protector sizes may vary slightly. Please refer to manual for details. Manuals are available on our website: [www.pacificenergy.net](http://www.pacificenergy.net)

# WOOD APPLIANCE FLOOR PROTECTOR – USA

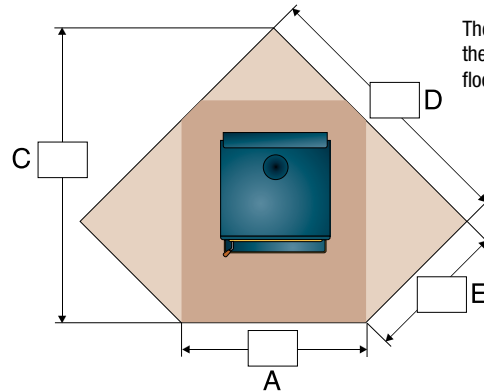


The charts shown below give the required dimensions of floor protector sizes based on various appliance installations.

## STRAIGHT HEARTH



## CORNER HEARTH



The shaded area indicates the minimum floor protector area.

	Alderlea T4 (Classic)					Alderlea T5 (Classic)					Alderlea T6				
	A	B	C	D	E	A	B	C	D	E	A	B	C	D	E
Minimum (Not extended to back wall)	32"	33 1/4"	-	-	-	34"	40 1/2"	-	-	-	36"	40 1/2"	-	-	-
Residential, single wall, vertical connector	32"	48 1/4"	58 7/8"	53"	30 3/8"	34"	52 1/2"	65 7/8"	58 3/8"	34 1/4"	36"	49 1/2"	60"	54 3/4"	30"
Residential, single wall, horizontal connector	32"	46 1/4"	58 7/8"	53"	30 3/8"	34"	48 1/2"	65 7/8"	58 3/8"	34 1/4"	36"	49 1/2"	60"	54 3/4"	30"
Residential, double wall, vertical connector	32"	40 1/4"	49"	46"	23 3/8"	34"	45 1/2"	55 5/8"	51 3/8"	27 1/4"	36"	48"	58 1/2"	53 3/4"	29"
Alcove, double wall, connector	32"	44 1/4"	-	-	-	34"	50 1/2"	-	-	-	36"	50 1/2"	-	-	-
Mobile home	32"	45 1/4"	56 1/8"	51"	28 3/8"	34"	48 1/2"	61 1/4"	55 3/8"	31 1/4"	36"	50 1/2"	62 3/4"	56 3/4"	32"

	Neo 1.6					Neo 2.5					Newcastle 1.6				
	A	B	C	D	E	A	B	C	D	E	A	B	C	D	E
Minimum (Not extended to back wall)	33 3/8"	32 3/4"	-	-	-	35"	37 3/8"	-	-	-	33 3/8"	32 3/4"	-	-	-
Residential, single wall, vertical connector	33 3/8"	44 3/4"	55"	50 3/4"	27 1/8"	35"	49 3/8"	60 3/8"	55"	30 3/8"	33 3/8"	44 3/4"	55 5/8"	51 1/4"	27 1/2"
Residential, single wall, horizontal connector	33 3/8"	44 3/4"	55"	50 3/4"	27 1/8"	35"	49 3/8"	60 3/8"	55"	30 3/8"	33 3/8"	44 3/4"	55 5/8"	51 1/4"	27 1/2"
Residential, double wall, vertical connector	33 3/8"	37 3/4"	48"	45 3/4"	22 1/8"	35"	42 3/8"	55 3/8"	50"	25 3/8"	33 3/8"	37 3/4"	48 5/8"	46 1/4"	22 1/2"
Alcove, double wall, connector	33 3/8"	37 3/4"	-	-	-	35"	42 3/8"	-	-	-	33 3/8"	37 3/4"	-	-	-
Mobile home	33 3/8"	37 3/4"	48"	45 3/4"	22 1/8"	35"	42 3/8"	53 3/8"	50"	25 3/8"	33 3/8"	37 3/4"	48 5/8"	46 1/4"	22 1/2"

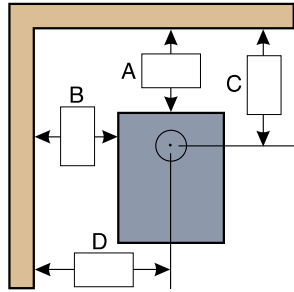
	Newcastle 2.5					Super 27 (Super Classic)					Summit (Classic)				
	A	B	C	D	E	A	B	C	D	E	A	B	C	D	E
Minimum (Not extended to back wall)	35"	37 3/8"	-	-	-	34"	40 1/2"	-	-	-	35"	40 1/2"	-	-	-
Residential, single wall, vertical connector	35"	49 3/8"	61 1/4"	55 5/8"	30 7/8"	34"	52 1/2"	65 7/8"	58 3/8"	34 1/4"	35"	49 1/2"	60"	53 5/8"	30 3/16"
Residential, single wall, horizontal connector	35"	49 3/8"	61 1/4"	55 5/8"	30 7/8"	34"	48 1/2"	65 7/8"	58 3/8"	34 1/4"	35"	49 1/2"	58 9/16"	53 5/8"	29 3/16"
Residential, double wall, vertical connector	35"	42 3/8"	54"	50 5/8"	25 7/8"	34"	45 1/2"	55 5/8"	51 3/8"	27 1/4"	35"	48"	62 7/8"	56 5/8"	32 3/16"
Alcove, double wall, connector	35"	42 3/8"	-	-	-	34"	50 1/2"	-	-	-	35"	50 1/2"	-	-	-
Mobile home	35"	42 3/8"	54"	50 5/8"	25 7/8"	34"	48 1/2"	61 1/4"	55 3/8"	31 1/4"	35"	50 1/2"	62 7/8"	56 5/8"	32 3/16"

	Vista (Classic)				
	A	B	C	D	E
Minimum (Not extended to back wall)	32"	33 1/4"	-	-	-
Residential, single wall, vertical connector	32"	48 1/4"	57 7/8"	52"	29 1/2"
Residential, single wall, horizontal connector	32"	46 1/4"	57 7/8"	52"	29 1/2"
Residential, double wall, vertical connector	32"	40 1/4"	47 3/4"	45"	22 1/2"
Alcove, double wall, connector	32"	44 1/4"	-	-	-
Mobile home	32"	45 1/4"	54 3/4"	50"	27 1/2"

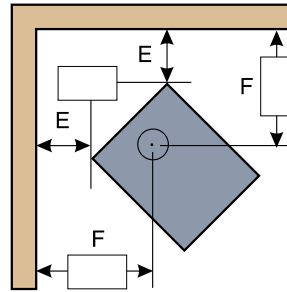
Note: In most practical applications the floor protection will extend to the back wall. In Canada and U.S.A. it is not required that the floor protection extend to the wall and in such cases floor protector sizes may vary slightly. Please refer to manual for details. Manuals are available on our website: [www.pacificenergy.net](http://www.pacificenergy.net)

# WOOD APPLIANCE MINIMUM CLEARANCES TO COMBUSTIBLES

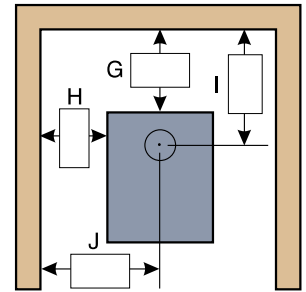
**STRAIGHT**



**CORNER**



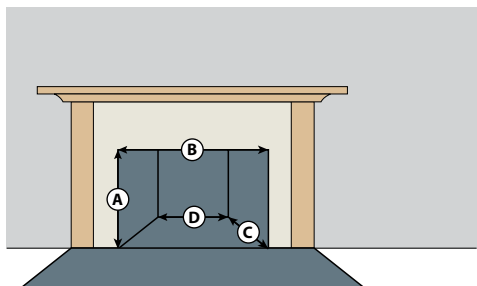
**ALCOVE**



		From top of stove to ceiling	STRAIGHT (VERTICAL CONNECTOR)				STRAIGHT (HORIZONTAL CONNECTOR)				CORNER		ALCOVE			
			A	B	C	D	A	B	C	D	E	F	G	H	I	J
<b>RESIDENTIAL</b> SINGLE WALL CONNECTOR	<b>Alderlea T4 (Classic)</b>	56 3/4"	15"	14"	20 3/4"	26"	13"	14"	18 3/4"	26"	10"	22 5/8"	N/A	N/A	N/A	N/A
	<b>Alderlea T5 (Classic)</b>	55 1/4"	12"	18"	22"	30"	8"	14"	18"	26"	11"	25"	N/A	N/A	N/A	N/A
	<b>Alderlea T6</b>	56 1/2"	9"	14"	17 3/4"	28 3/4"	9"	14"	17 3/4"	28 3/4"	6"	20 1/4"	N/A	N/A	N/A	N/A
	<b>Neo 1.6</b>	50"	12"	12"	18"	25 1/2"	12"	12"	18"	25 1/2"	8"	20"	N/A	N/A	N/A	N/A
	<b>Neo 2.5</b>	46"	12"	12"	18"	26 1/2"	12"	12"	18"	26 1/2"	8"	20 5/8"	N/A	N/A	N/A	N/A
	<b>Newcastle 1.6</b>	49"	12"	12"	18"	25 1/2"	12"	12"	18"	25 1/2"	8"	20"	N/A	N/A	N/A	N/A
	<b>Newcastle 2.5</b>	45"	12"	12"	18"	26 1/2"	12"	12"	18"	26 1/2"	8"	20 5/8"	N/A	N/A	N/A	N/A
	<b>Super 27 / Super Classic</b>	56"	12"	18"	22"	30"	8"	14"	18"	26"	11"	25"	N/A	N/A	N/A	N/A
	<b>Summit (Classic)</b>	54"	9"	14"	17 1/2"	26 3/4"	9"	14"	17"	26 3/4"	6"	20 3/4"	N/A	N/A	N/A	N/A
	<b>Vista (Classic)</b>	58"	15"	14"	20 3/4"	26"	13"	14"	18 3/4"	26"	10"	22 5/8"	N/A	N/A	N/A	N/A
<b>RESIDENTIAL</b> DOUBLE WALL CONNECTOR	<b>Alderlea T4 (Classic)</b>	56 3/4"	7"	12"	12 3/4"	24"	7"	12"	12 3/4"	24"	3"	15 5/8"	11"	12"	16 3/4"	24"
	<b>Alderlea T5 (Classic)</b>	55 1/4"	5"	14"	15"	26"	5"	14"	15"	26"	4"	18"	10"	16"	20"	28"
	<b>Alderlea T6</b>	56 1/2"	7 1/2"	13"	16 1/4"	27 3/4"	7 1/2"	13"	16 1/4"	27 3/4"	5"	19 1/4"	10"	16"	18 3/4"	30 3/4"
	<b>Neo 1.6</b>	50"	5"	8"	11"	21 1/2"	5"	8"	11"	21 1/2"	3"	15"	5"	8"	11"	21 1/2"
	<b>Neo 2.5</b>	46"	5"	8"	11"	22 1/2"	5"	8"	11"	22 1/2"	3"	15 5/8"	5"	8"	11"	22 1/2"
	<b>Newcastle 1.6</b>	49"	5"	8"	11"	21 1/2"	5"	8"	11"	21 1/2"	3"	15"	5"	8"	11"	21 1/2"
	<b>Newcastle 2.5</b>	45"	5"	8"	11"	22 1/2"	5"	8"	11"	22 1/2"	3"	15 5/8"	5"	8"	11"	22 1/2"
	<b>Super 27 / Super Classic</b>	56"	5"	14"	15"	26"	5"	14"	15"	26"	4"	18"	10"	16"	20"	28"
	<b>Summit</b>	54"	7 1/2"	13"	16"	25 3/4"	7 1/2"	13"	16"	25 3/4"	5"	19 3/4"	10"	16"	18 1/2"	28 3/4"
	<b>Vista (Classic)</b>	58"	7"	12"	12 3/4"	24"	7"	12"	12 3/4"	24"	3"	15 5/8"	11"	12"	16 3/4"	24"
<b>MOBILE HOME</b> DOUBLE WALL CONNECTOR	<b>Alderlea T4 (Classic)</b>	56 3/4"	12"	12"	17 3/4"	24"	N/A	N/A	N/A	N/A	8"	20 5/8"	N/A	N/A	N/A	N/A
	<b>Alderlea T5 (Classic)</b>	55 1/4"	8"	16"	18"	28"	N/A	N/A	N/A	N/A	8"	22"	N/A	N/A	N/A	N/A
	<b>Alderlea T6</b>	56 1/2"	10"	18"	18 3/4"	32 3/4"	N/A	N/A	N/A	N/A	8"	22 1/4"	N/A	N/A	N/A	N/A
	<b>Neo 1.6</b>	50"	5"	8"	11"	21 1/2"	5"	8"	11"	21 1/2"	3"	15"	5"	8"	11"	21 1/2"
	<b>Neo 2.5</b>	46"	5"	8"	11"	22 1/2"	5"	8"	11"	22 1/2"	3"	15 5/8"	5"	8"	11"	22 1/2"
	<b>Newcastle 1.6</b>	50"	5"	8"	11"	21 1/2"	5"	8"	11"	21 1/2"	3"	15"	5"	8"	11"	21 1/2"
	<b>Newcastle 2.5</b>	46"	5"	8"	11"	22 1/2"	5"	8"	11"	22 1/2"	3"	15 5/8"	5"	8"	11"	22 1/2"
	<b>Super 27 / Super Classic</b>	56"	8"	16"	18"	28"	N/A	N/A	N/A	N/A	8"	22"	N/A	N/A	N/A	N/A
	<b>Summit (Classic)</b>	54"	10"	18"	18 1/2"	30 3/4"	N/A	N/A	N/A	N/A	8"	22 3/4"	N/A	N/A	N/A	N/A
	<b>Vista (Classic)</b>	58"	12"	12"	17 3/4"	24"	N/A	N/A	N/A	N/A	8"	20 5/8"	N/A	N/A	N/A	N/A



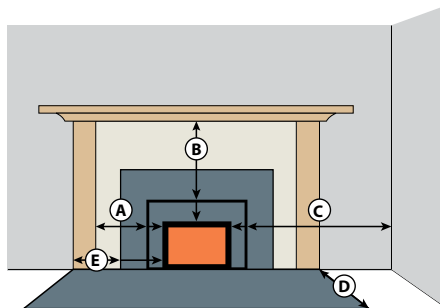
## WOOD INSERTS – MINIMUM FIREPLACE OPENING



	A	B	C	D
NEO 1.6 INSERT	20"	30"	16 1/4"	24 3/4"
NEO 2.5 INSERT	22"	34"	20"	26 1/2"
VISTA INSERT	20"	24"	15"	24"
SUPER INSERT	21"	24"	18"	22"
SUMMIT INSERT	23 1/8"	28"	18"	26"
ALDERLEA T5 INSERT	21"	24 1/2"	18"	22"

\* Measurements are rounded up.

## WOOD INSERTS – CLEARANCES TO COMBUSTIBLES



	A	B	C	D (Can)	D (USA)	E
NEO 1.6 INSERT (distance from door's edge to combustibles)	9 3/4"	16"	13 1/2"	18"	16"	8"
NEO 2.5 INSERT (distance from door's edge to combustibles)	11 1/2"	16"	15"	18"	16"	8"
VISTA INSERT	9"	15"	9"	18"	16"	8"
SUPER INSERT	6 1/2"	15"	10"	18"	16"	8"
SUMMIT INSERT	8"	15"	8"	18"	16"	8"
ALDERLEA T5 INSERT	6 1/2"	16"	20 1/2"	18"	16"	8"

## WOOD INSERTS – SURROUND SIZES

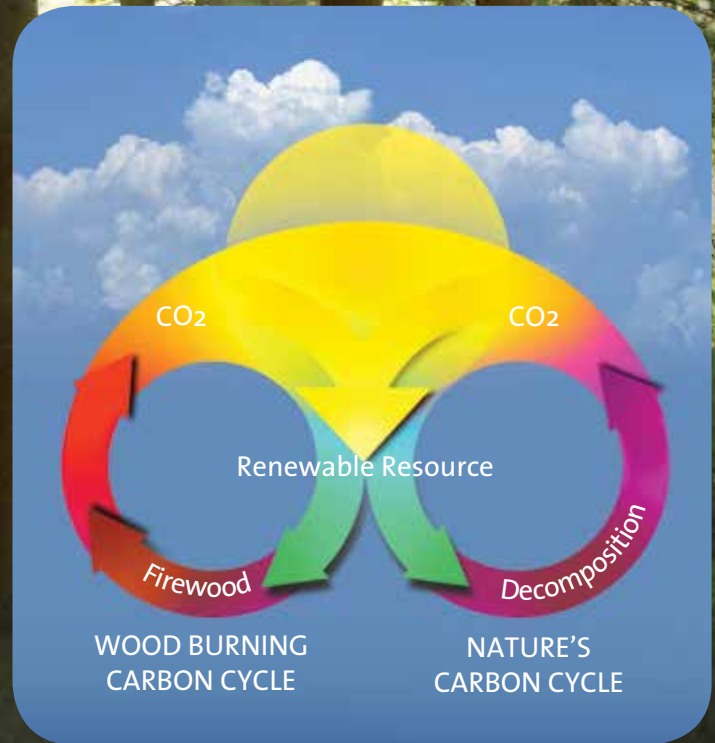
	STANDARD		OVERSIZE		FLAT OVERSIZE	
	Width	Height	Width	Height	Width	Height
NEO 1.6 INSERT	36"	26"	46"	30"	n/a	n/a
NEO 2.5 INSERT	40"	28 1/2"	48"	32"	n/a	n/a
VISTA INSERT	36 1/2"	26"	42 5/8"	30"	42"	30"
SUPER INSERT	43 3/8"	29 3/16"	48 3/8"	33 3/16"	48"	33"
SUMMIT INSERT	50 3/8"	32 3/16"	54 3/8"	34 3/16"	54"	34"
ALDERLEA T5 INSERT	42 1/2"	30 3/8"	42 1/2"	34 1/8"	n/a	n/a

# ENVIRONMENT



Firewood is a renewable energy resource like wind, solar and hydroelectric power

Wood heat is a responsible choice and is a renewable and sustainable fuel source which does not contribute to global warming. When wood is burned as a substitute for fossil fuels, the result is a net reduction in CO<sub>2</sub> emissions.



By choosing a Pacific Energy woodstove and responsible wood heating, you are making a difference. For over 35 years, a strong dedication to the environment and woodheat science has made Pacific Energy a recognized leader in hearth product innovation and clean burn technology. Our unique firebox design and stainless steel encapsulated baffle system burn clean and efficiently with results meeting and exceeding US EPA and CSA emission standards, and industry recognized LHV (lower heating value) efficiency test methods.

# COMMITMENT

We at Pacific Energy are justifiably proud of our decades of leadership. Our home heating systems combine reliability, efficiency and beauty, and provide homes with the unmatched comfort, atmosphere and warmth of a fire in the hearth.

Our success is a direct result of our commitment to quality, customer service, and ongoing innovation. We build every Pacific Energy unit with care and craft. We use the highest quality materials: heavier gauge steel, thicker porcelain finishes, sturdier handles and

## **A HISTORY OF INNOVATION**

For over 35 years, our mission has been to design and develop cleaner, more efficient, and more beautiful fireplace heating solutions. We are relentless innovators, with a tradition for challenging conventions, and overturning traditional assumptions.

## **A TEAM OF INNOVATORS**

Our dedicated team of engineers and craftspeople continue to improve on the state-of-the-art for cleaner, longer-burning, environmentally-responsible woodburning fireplaces, and energy-efficient, aesthetically-pleasing gas fireplaces.

fittings, and back our products with a limited lifetime warranty. We listen to our customers and work with our dealers to provide more choice, in sizes, heat production and features so that more homes can experience the pleasure of a fireplace and the comfort of a reliable, energy-efficient heat source.

And, above all, we continue to improve our products, to innovate in aesthetics and engineering. We are committed to remaining a leader in our field, and to continue to earn our customers' trust.

## **ENVIRONMENTAL CONSCIOUSNESS**

Since 1978, Wood heat science, and the concept of environmental responsibility, has been an essential part of Pacific Energy's product development. Today, improving environmental performance and energy efficiency continues to be Pacific Energy's primary focus.

## **LIMITED LIFETIME WARRANTY**

Our staff of highly trained, experienced craftspeople ensures uncompromised quality and consistency, from component parts through to manufacture, and gives us the confidence to back our products with a limited lifetime warranty.





**SINCE 1979**

Proudly made in the Pacific Northwest – sold and coveted worldwide. For over 35 years Pacific Energy has been a trusted manufacturer of fireplace heating solutions. We handcraft each fireplace with uncompromised quality and consistency to ensure lasting, reliable service. Superbly engineered for performance and efficiency, the right choice is Pacific Energy.



[www.pacificenergy.net](http://www.pacificenergy.net)



Printed in Canada, PROA.CATGPW 2/15/40M