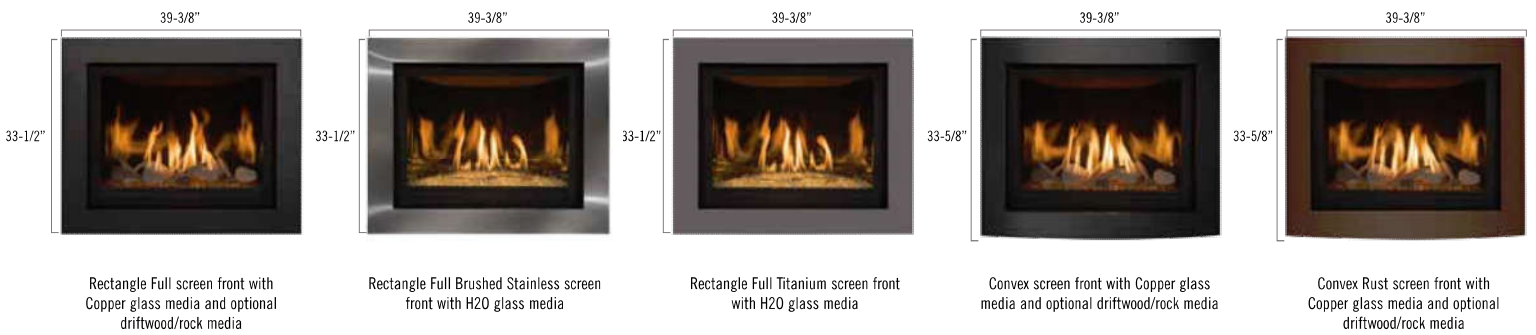


FIREPLACE OPTIONS

Fronts

Delano 36S



Nicollet 195S








ACCESSORIES & CONTROL



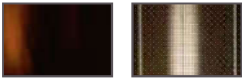
KOMFORT KONTROL

The Komfort Kontrol remote gives you the ability to bring comfort and green technology all together into your home. With the Komfort Kontrol remote, all you have to do is decide a comfortable set point temperature on your remote and when the room temperature gets closer to the point you desire, the Komfort Kontrol remote will turn the flames down accordingly! And with our zone heating, you can save energy and enjoy time in the room you use the most by just turning down the central heat, setting your Komfort Kontrol remote, and enjoy your time around the fireplace with friends, family, or just a good book! That way you'll get to have heat where and when you need it while saving energy and money with just a click of the Komfort Kontrol remote!

Remote control features:

-  Thermostat function
-  Flame height modulation
-  Fan speed modulation
-  Light kit modulation
-  IPI to continuous pilot

Refractory Options



Black enamel (curved) Brushed Stainless (curved)

Black Enamel Standard

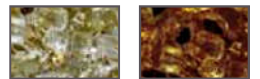
Glass Media

Oval Beads



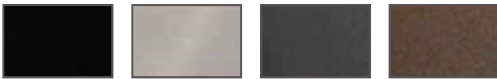
Black Cobalt Blue H2O Copper White Frost

Crystals



Glacier Amber

Finish Options



Black Brushed Stainless Titanium Rust

Burn Videos



Delano 36S



Nicollet 195S

Optional Accent Media



Driftwood/Rock



Beach Accent Kit
(Delano 36S only)

SPECIFICATIONS

Model	Delano 36S	Nicollet 195S
Height	32"	31-1/2"
Width	35-7/8"	18-1/2"
Back Width	27-7/8"	5-5/16"
Depth	15-1/4"	14-3/8"
Weight	150 lbs	76 lbs
Viewing Area	27" x 21-1/16"	11-7/8" x 16-15/16"
BTU NG High / Low	26,000 / 13,000	12,500 / 6,500
BTU LP High / Low	26,500 / 12,500	13,000 / 6,500
Efficiencies NG / LP	79.8% / 81.18%	69.09% / 71.07%
ENERGUIDE P.4	75.2% / 77%	64.19% / 65.94%
Valve System	IPI	IPI
Standard Refractory	Enamel	Enamel
Optional Refractory	Brushed Stainless	Brushed Stainless
Glass Media	(Required) Glass Beads or Crystals	(Required) Glass Beads
Accent Media	(Optional) Beach Accent Kit or Driftwood/ Rock	N/A
Accent Light Kit	Standard	Standard
Fan Kit	Optional	Optional
Screen Front	Required	Required

Features, Options & Specifications are subject to change.

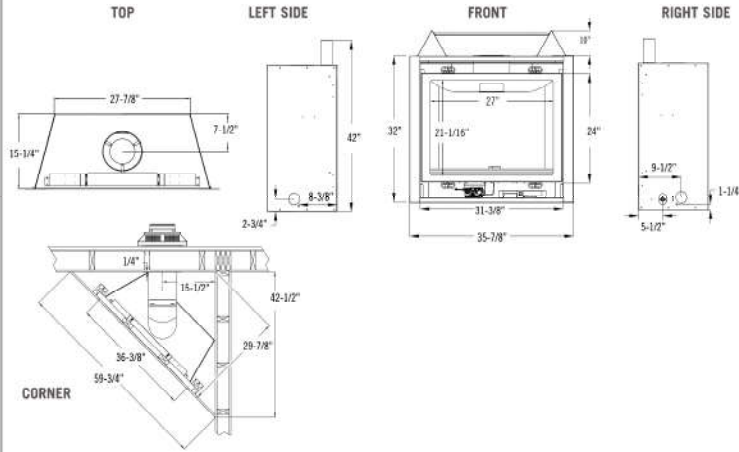
Clearances

Model	Delano 36S	Nicollet 195S
From fireplace to top 3/4 trim	10"	2-1/4"
Fireplace left and side stand-offs	0"	0"
Fireplace left & right sides & back	1/4"	1/2"
Fireplace top to ceiling	31"	31"
Fireplace side to adjacent sidewall	1-1/2"	3"
Mantel 4" deep from top of fireplace	16"	7-1/2"
Mantel 12" deep from top of fireplace	20-3/16"	7-1/2"

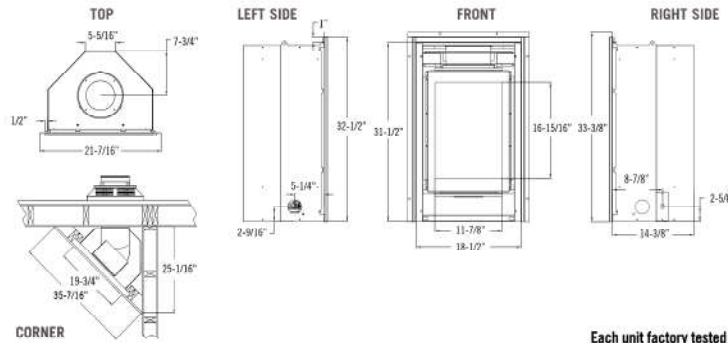
Refer to the installation manuals for complete installation & venting requirements. See additional mantel clearance configurations in the installation manual.

The Delano 36S and the Nicollet 195S (Electronic Ignition) comes standard with a decorative black curved firebox lining, remote modulating valve system with flame & fan adjustment. Remote control & light kit included.

Delano 36S



Nicollet 195S



Each unit factory tested

Vent System Approval & Requirements

This fireplace is manufactured to accept 5" x 8" pipe only.

- Simpson Dura-Vent™ DV-PRO Pipe – 5" x 8" to 4" x 6-5/8" reducer (Delano 36S only)
- Selkirk – Model DT 5" x 8" to 4" x 6-5/8" reducer (Delano 36S only)
- American Metal Products 5" x 8"
- Metal Fab™ 5" x 8"
- Security™ 5" x 8"
- ICC™ 5" x 8"
- Kozy Heat Flexible #800 series Vent Kits* - 5" x 8" (Delano 36S only)
- BDM 5" x 8"

Delano Only: A 5" x 8" to a 4" x 6-5/8" vent reducer may be used for horizontal or vertical vent runs for DuraVent and Selkirk vent systems

IMPORTANT: Kozy Heat Part #800-WPT or #800-WPT2, must be used on ALL Horizontal vent runs.

The included Horizontal Vent Heat Shield must be installed when using a 90° elbow to horizontally position the vent system. This includes corner installation.

Elbows: For each additional 90° elbow used after the first elbow, 3' must be subtracted from the maximum venting allowed. For each additional 45° elbow used after the first elbow, 11' must be subtracted from the maximum venting allowed.

Note: (2) 45° elbows = (1) 90° elbow.

Horizontal Terminations:

Delano 36S: Minimum: 6" Maximum: 25"
*30" maximum allowed when using stainless steel pipe

Nicollet 195S: Minimum: 6" Maximum: 20"
*Horizontal vent sections require 1/4" rise for every 12"

Vertical Terminations:

Delano 36S: Minimum: 4" Maximum: 50"
Delano Only: 4" x 6-5/8" Reducer Vertical Terminations
Minimum: 5" x 8" Vertical Length: 6"
Minimum: 4" x 6-5/8" Vertical Length: 4"
Maximum: 4" x 6-5/8" Vertical Length: 50"

Nicollet 195S: Minimum: 3" Maximum: 50"

Horizontal / Vertical COMBO:

Delano 36S: 50' = 25' maximum horizontal / 25' maximum vertical (consult the horizontal & vertical combination venting chart in the installation manual)

Nicollet 195S: 50' = 25' maximum horizontal / 25'

*Refer to the installation manuals for complete installation & venting requirements.

In order to continually provide the highest quality product available, features/options, specifications & dimensions are subject to change. Refer to the unit installation manual for complete installation instructions. Installation must conform with local building codes. In some regions it may be possible that this appliance qualifies for an energy rebate. See your local dealer for details regarding promotions and qualifications.

Product Line:



For complete information on the Kozy Heat product line, please contact us at:

Manufactured by Hussong Mfg. Co., Inc.
204 Industrial Park Drive, Lakefield, MN 56150
Phone 1-800-253-4904 www.kozyheat.com

12-16

