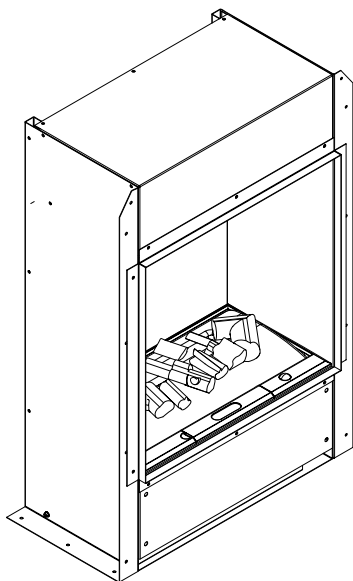




Better solutions through innovation



Owner's Manual

Model

BOF4056

BOF4068

BOF6056









IMPORTANT SAFETY INFORMATION: Always read this manual first before attempting to install or use the wall mount engine. For your safety, always comply with all warnings and safety instructions contained in this manual to prevent personal injury or property damage.

To view the full line of Dimplex products, please visit www.dimplex.com

7213470100R03



Table of Contents

 Welcome & Congratulations	3
 IMPORTANT INSTRUCTIONS	4
 Installation	6
 Assembly	10
 Operation	12
 Maintenance	15
 Warranty	17
 Replacement Parts	19

Always use a qualified technician or service agency to repair this engine.

! NOTE: Procedures and techniques that are considered important enough to emphasize.

⚠ CAUTION: Procedures and techniques which, if not carefully followed, will result in damage to the equipment.

⚡ WARNING: Procedures and techniques which, if not carefully followed, will expose the user to the risk of fire, serious injury, or death.

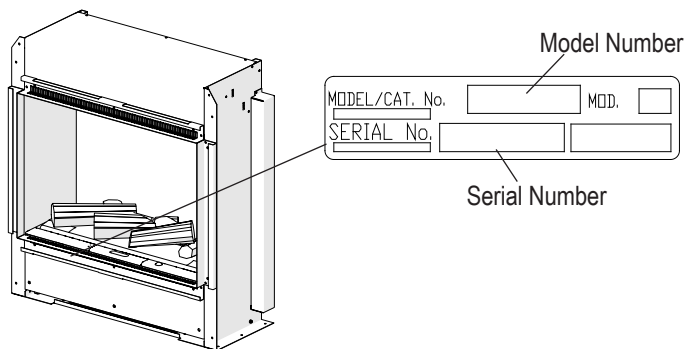
Welcome & Congratulations

Thank you and congratulations for choosing to purchase an Optimyst® Pro engine from Dimplex, the world leader in electric fireplaces.

Please carefully read and save these instructions.


⚠ CAUTION: Read all instructions and warnings carefully before starting installation. Failure to follow these instructions may result in a possible electric shock, fire hazard and will void the warranty.


Please record your model and serial numbers below for future reference: model and serial numbers can be found on the Model and Serial Number Label of your wall mount engine.



NO NEED TO RETURN TO THE STORE


Questions with operation or assembly? Require Parts Information?
Product Under Manufacturer's Warranty?

Contact us at:  www.dimplex.com/customer_support
For Troubleshooting and Technical Support

OR  **Toll-Free 1-888-DIMPLEX (1-888-346-7539)**
Monday to Friday 8:00 a.m. to 4:30 p.m. EST
Please have your model number and product serial number ready. (See above)

IMPORTANT INSTRUCTIONS

When using electrical appliances, basic precautions should always be followed to reduce the risk of fire, electric shock, and injury to persons, including the following:

- ① Read all instructions before using the engine.
- ② The heater is hot when in use. To avoid burns, do not let bare skin touch hot surfaces. The trim around the heater outlet becomes hot during heater operation.
 DANGER: High temperatures may be generated under certain abnormal conditions. Do not partially or fully cover the front of this heater.
- ③ Extreme caution is necessary when any heater is used by or near children or invalids and whenever the unit is left operating and unattended.
- ④ Always unplug the engine when not in use.
- ⑤ Do not operate any unit with a damaged cord or plug, or if the engine has been dropped or damaged in any manner. Contact Dimplex Technical Service at 1-888-346-7539.
- ⑥ Do not use outdoors.

⑦ Never locate unit where it may fall into a bathtub or other water container.

⑧ To disconnect the unit, turn the controls off, then remove the plug from the outlet or disconnect power at the service panel.

⑨ Always use properly grounded, fused and polarized outlets.

⑩ Do not insert or allow foreign objects to enter any ventilation or exhaust opening as this may cause an electric shock or fire, or damage to the heater.

⑪ To prevent a possible fire, do not block air intake or exhaust in any manner. Do not use on soft surfaces, like a bed, where openings may become blocked.

⑫ All electrical heaters have hot and arching or sparking parts inside. Do not use in areas where gasoline, paint, or flammable liquids are used or stored or where the unit will be exposed to flammable vapors.

⑬ Do not modify the engine. Use it only as described in this manual. Any other use not recommended by the manufacturer may cause fire, electric shock or injury to persons.

IMPORTANT INSTRUCTIONS

⑭ To reduce the risk of electric shock, this appliance must be grounded. Avoid the use of an extension cord. Extension cords may overheat and cause a risk of fire. Always plug heaters directly into a wall outlet/receptacle. Never use with an extension cord or relocatable power tap (outlet/power strip).

⑮ Do not burn wood or other materials in the engine.


⑯ Always use a certified electrician should new circuits or outlets be required.


⑰ Disconnect the power supply before performing any cleaning, maintenance or relocation of the unit.

⑱ When transporting or storing the unit and cord, keep in a dry place, free from excessive vibration and store so as to avoid damage.

⑲ The wall mount engine must not be located directly below a socket outlet.

⑳ The wall mount engine must be positioned so that the plug is accessible.

 **WARNING:** Remote control contains small batteries. Keep away from children. If swallowed, seek medical attention immediately.

 **WARNING:** Do not install battery backwards, charge, put in fire or mix with used or other battery types - may explode or leak causing injury.

! NOTE: Changes or modifications not expressly approved by the party responsible for compliance could void user's authority to operate the equipment.



CAUTION
RISK OF ELECTRIC SHOCK
DO NOT OPEN
NO USER-SERVICEABLE PARTS INSIDE



SAVE THESE INSTRUCTIONS

Installation

The Optimyst Pro is supplied in an assembled state and is designed to be permanently installed. The unit comes ready for hardwire installation.

⚠ WARNING: Construction and electrical outlet wiring must comply with local building codes and other applicable regulations to reduce the risk of fire, electric shock and injury to persons.

⚠ WARNING: To reduce the risk of fire, do not store or use gasoline or other flammable vapors or liquids in the vicinity of the heater.

! NOTE: A 15 Amp, 120 Volt circuit is required. A dedicated circuit is preferred but not essential in all cases. A dedicated circuit will be required if, after installation, the circuit breaker trips or the fuse blows on a regular basis when the heater is operating. Additional appliances on the same circuit may exceed the current rating of the circuit breaker.

⚠ WARNING: Failure to install the fireplace as instructed below may result in damage to the equipment and or may expose the user to the risk of

fire, serious injury, illness or death.

⚠ WARNING: Do not attempt to wire your own new outlets or circuits. To reduce the risk of fire, electric shock or injury to persons, always use a licensed electrician.

⚠ WARNING: Ensure that the On/Off switch is set to the Off position (refer to Operation section) and that the circuit on which the fireplace is to be installed has the power cut off at the service panel until installation is complete.

! NOTE: Please read all instructions before installing.

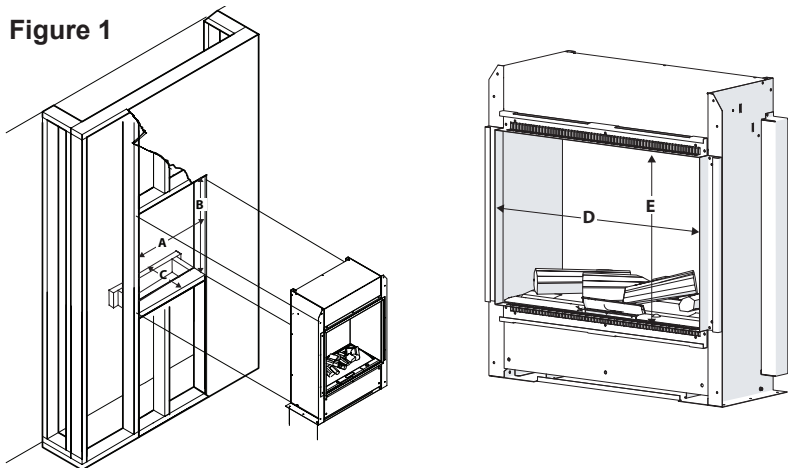
1. For rough in framing, the opening should follow the recommended dimensions located in Figure 1.

! NOTE: Dimensions provided are minimum clearances and will vary depending on type of support framing and finishing options.

! NOTE: It is recommended that the bottom of the unit not be mounted higher than 40 in. (1020 mm) from the ground to maintain an optimized viewing angle of the flame (Figure 2).

Installation

Figure 1



	A	B	C	D	E
BOF4056	19.5in. (495mm)	27.8in. (706mm)	11.0in. (279mm)	16.3in. (413mm)	15.6in. (395mm)
BOF4068	19.5in. (495mm)	32.6in. (828mm)	11.0in. (279mm)	16.3in. (413mm)	20.4in. (517mm)
BOF6056	25.8in. (655mm)	27.8in. (706mm)	11.0in. (279mm)	22.4in. (569mm)	15.6in. (395mm)

! NOTE: If installation in a custom mantel is desired, a power cord accessory is available (BOF-PLUGKIT) to plug the unit directly into a wall outlet.

2. Allow up to 4 ft. (121.9 cm) of service cable for connecting a power supply wire to the cable clamp on fireplace when installing before finishing wall.

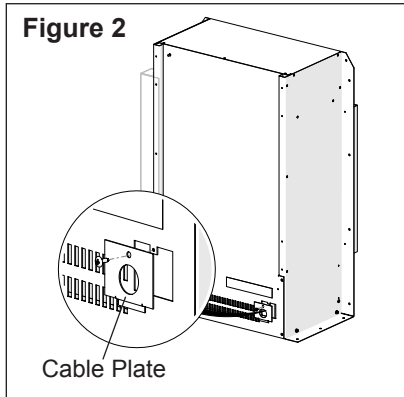
! CAUTION: Use two conductor, non-metallic sheath cable with ground wire (3 wires total) for the incoming power supply on fireplace inserts. Use appropriate

wire to meet local and national electrical codes for rated power.

! NOTE: It is recommended that all drywall installation and finishing be completed after unit is fully installed.

3. On the back of the unit remove the cable clamp, by removing the screw at the top (Figure 2).
4. Install a 3/8 in. (10 mm) or 1/2 in. (13 mm) cable connector, not included, suitable for mounting in a 7/8 in. (22 mm) hole, to the cable plate and

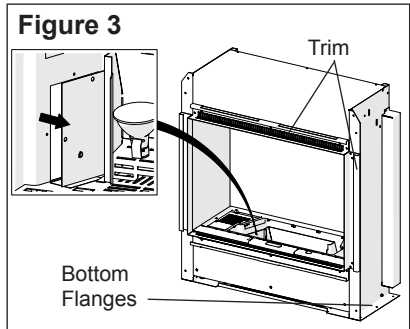
Installation



feed the supply cable through the connector and secure.

5. Remove the 3 wires from within the unit.
6. Connect the black wire (live) from the unit to the black wire from power supply.
7. Connect the white wire (neutral) from the unit to the white wire from power supply.
8. Connect the two green wires (ground) from the unit to the green wire from power supply.
9. Place all connectors inside the unit and secure the cable clamp to unit. Ensure that the cable clamp grips only the jacket of service cable.

! NOTE: Once the unit has been fully installed there is an access



panel in the water reservoir cavity where the wiring can be accessed from the front following installation (Figure 3).

10. Install the unit into the roughed in framing.

⚠ CAUTION: When inserting the unit take care not to damage or pinch any of the power cables that are concealed in the wall.

⚠ WARNING: Ensure the power wiring is not installed so that it is pinched or against a sharp edge and ensure that the power wiring is stored or secured to avoid tripping or snagging to reduce the risk of fire, electric shock or injury to persons.

11. Secure the unit to the framing through the bottom flanges with 6 of the provided screws (Figure 3).

Installation

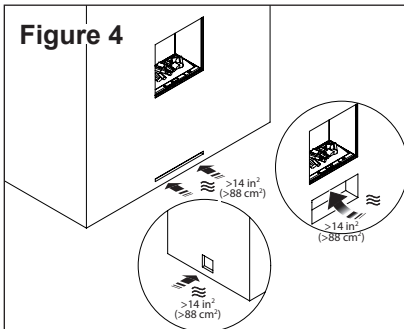
12. Finish surrounding wall. There are 3 different options for finishing the wall:

CAUTION: Do not remove the trim around the opening of the unit (Figure 3).

- **Permanent** - install drywall right up to the flange that surrounds the opening (Figure 4).

NOTE: An air inlet that is a minimum of 14 in² (88 cm²) is required for optimum mist production, for minimum dimensions (Figure 4).

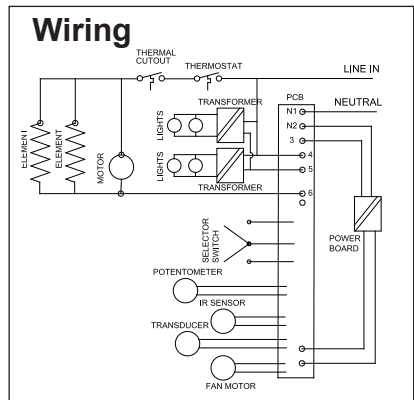
- **Semi Permanent** - finish around edge using flashing material (not included).
- **Flexible** - create opening big enough to access mounting flanges and a false front that can be removed.



Bathroom Installation

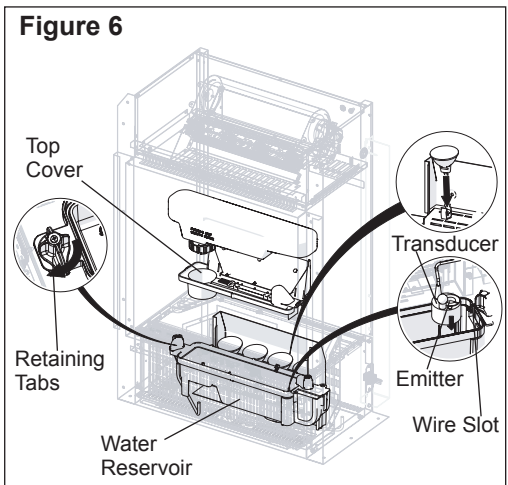
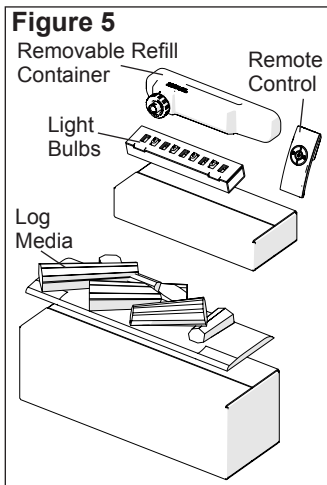
This firebox must be protected by a GFI circuit. If a receptacle is used it must be readily accessible.

To prevent electrical shock this unit is an electrical appliance that is not watertight and must be installed as to prevent water from entering the unit. This unit must be installed away from showers, tubs, etc. Never locate fireplace where it may fall into a bathtub or other water containers. Keep towels and other combustible materials 3 feet (0.9 m) away from the front of the unit.



Assembly

1. Carefully unpack all of the components from the box. (Figure 5)
 2. Remove top cover by turning the retaining tabs on both ends of the water reservoir. (Figure 6)
 3. Install the light bulbs by aligning the pins on the bulbs and the fixture and pressing down until they are fully inserted. (Figure 7)
 4. Install the transducer so that it is sitting level in the circular holding area in the reservoir.
! NOTE: The transducer is packed in the water reservoir and wrapped to protect it during shipping.
 5. Orient transducer wire so that it does not sit directly above the emitter and the wire passes through the slot in the side of the tank. (Figure 6)
 6. Reinstall the top cover and ensure both retaining tabs have been turned so that they are pointing inwards.
 7. Fill and install the Refill Container.
- ! NOTE:** Normal tap water can be used in the Optimyst® as long as the tap water is not considered to be hard water. In the event



Assembly

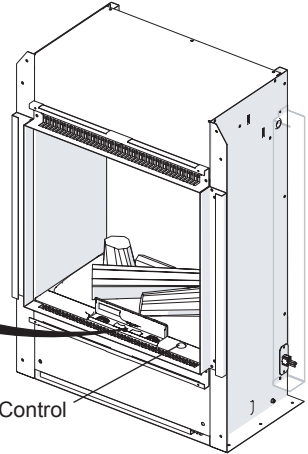
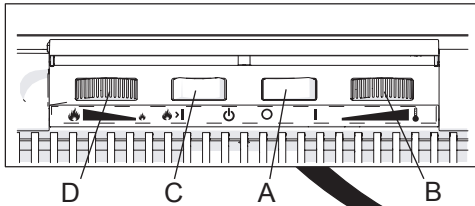
your tap water is hard, you may use softened water or distilled water with 1/8 tsp of salt (0.5 mL) added to the water reservoir. (The addition of additional salt should only be used when you notice that the unit is not producing mist as expected.)

! NOTE: During initial installation, the Refill Container should be refilled after the Reservoir has filled to ensure the maximum operating time.

8. Install the media tray and arrange the log media on top.

Operation

Figure 7



! NOTE: When the engine is used in an environment where background noise is very low, it may be possible to hear a sound which is related to the operation of the flame effect. This is normal and should not be a cause for concern.

! NOTE: Always ensure that the appliance is fixed to the framing in a level position.

The manual controls for the unit are located below the control cover in front of the log grate (Figure 7).

A. On/Off Switch

Supplies power to the engine.

B. Thermostat Control

To adjust the temperature to your individual requirements, turn the thermostat control backwards all the way to turn on the heater.

Remote Control
Sensor


When the room reaches the desired temperature, turn the thermostat knob forward until you hear a click. Leave thermostat in this position to maintain the room temperature at this setting. For additional heat, turn clockwise until you hear the click again and the heater will turn on.

C. Mode Selector Switch

Press once to turn on the flame effect. This will be indicated by an audible “beep”. Although the lights turn on immediately it will take 30 seconds before the flame effect starts.

- Press again to give flame effect and full heat. This will be indicated by two “beeps”.

Operation

- Press again to return to flame effect only. This will be indicated by one “beep”.
- Press  to put fire in to standby mode. This will be indicated by one “beep”.

D. Flame Intensity Control

Adjusts the intensity of the flame and smoke effect when the heater has been activated.

Turning the control knob clockwise decreases the intensity of the flame and smoke effect. Turning the control counterclockwise will increase the flame and smoke effect.

! NOTE: Give the flame generator some time to react to changes you may make on the flame control knob.

! NOTE: When the water tank is empty the unit will turn off after 30 seconds. See instructions under Maintenance Section for refilling tank. When this procedure is complete, the main lamps will illuminate but it will take 30 seconds before the flames return.

Resetting the Temperature Cutoff Switch

Should the heater overheat, an automatic cut out will turn the

fireplace off and it will not come back on without being reset. It can be reset by switching the On/Off Switch to Off and waiting ten (10) minutes before switching the unit back on.

⚠ CAUTION: If you need to continuously reset the heater, unplug the unit and call Dimplex North America Limited at 1-888-346-7539 for technical support. Please have your model and serial number ready when calling.

Remote Control

The On/Off Switch must be in the ‘ON’ (I) position in order for the remote control to operate. There are 3 buttons on the remote control. (Figure 8)

! NOTE: To operate correctly the remote control must be pointed towards the remote control sensor.

The remote control functions are as follows:



Press once to turn on Flame effect only. This will be indicated by one beep.



Press once to turn on Full heat and Flame effect. This will be indicated by two

🔑 Operation

beeps.

🔌 Standby - This will be indicated by one beep.

! NOTE: Once the mist has been activated, the unit will have to be turned Off, using either the momentary button, on the unit, or the Off button on the remote control, then back on to return to Level 1 - Logs and Light only operation.

Battery Replacement

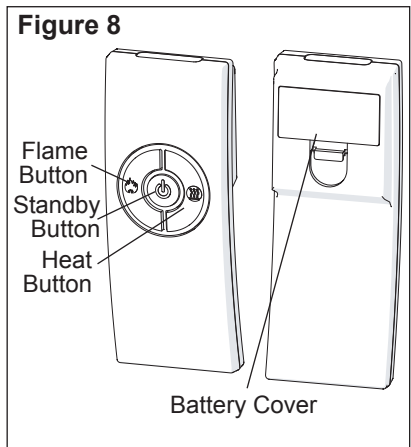
To replace the battery:

1. Slide battery cover open on the remote control (Figure 8).
2. Install two 1.5 Volt (AAA) battery in the battery holder.
3. Close the battery cover.



Battery must be recycled or disposed of properly. Check with your Local

Authority or Retailer for recycling advice in your area.





Maintenance

⚠ WARNING: Disconnect power before attempting any maintenance or cleaning to reduce the risk of fire, electric shock or damage to persons.

Filling the water tank

When the water tank is empty, the flame effect shuts off and you will hear 2 audible beeps, follow these steps.

⚠ CAUTION: Allow at least five minutes for components to cool before disassembling the unit to refill.

1. Turn the On/Off switch to the off position (0) (Figure 7)
2. Gently remove the log media and place it carefully on the ground.
3. Remove the refill container by lifting upwards and outwards.
4. Refill the container with tap water.

! NOTE: Normal tap water can be used in the Optimyst® as long as the tap water is not considered to be hard water. In the event your tap water is hard, you may use softened water or distilled water with 1/8 tsp of salt (0.5 mL) added to the water reservoir. (The addition of additional salt should only be when you notice

that the unit is not producing mist as expected.)

5. Screw the cap back on, **do not overtighten**.
6. Return the refill container to the sump, with the tank cap facing down and the flat side of the tank facing outward.
7. Gently place the log media back into position.
8. Turn the On/Off switch to the off position (I). (Figure 7)

If you do not intend on using the unit for longer than 2 weeks, empty and drain the unit of water, and dry all of the water containing components.

Replacing the Light bulbs

If a large amount of the smoke appears grey or colourless it may be that one or more of the light bulbs have burnt out.

⚠ CAUTION: Allow at least twenty minutes for light bulbs to cool before touching bulbs to avoid accidental burning of skin.

1. Leaving the flame effect on, remove the log media and water tank (Figure 9) and lift out the top cover (Figure 6)
2. View the lamps from a distance in front of the fire and observe which lamp needs to



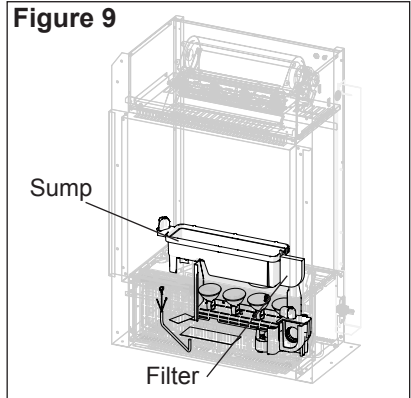
Maintenance

- be changed.
3. Turn the unit off, and unplug the engine.
 4. Leave the appliance for 20 minutes to allow the lamps to cool down before removing them.
 5. Remove the water tank and sump (Figure 9) by lifting upwards and placing to the side.
 6. Remove the defective bulb, by gently lifting vertically and disengaging the pins from the lamp holder.
- ! NOTE:** Replacement light bulbs can be obtained by contacting Dimplex Customer Service at 1-888-346-7539.
7. Carefully insert the two pins of the new bulb into the two holes in the lamp holder. Push lamp firmly in place.
 8. Replace the top cover, refill container and log media.

Cleaning

It is recommended that all of the components that contain water are cleaned with soap and water on a **biweekly** basis. A small brush has been included to assist in cleaning difficult items/areas, i.e. the transducer.

Figure 9



! CAUTION: Do not put plastic components in the dishwasher.

Filter Cleaning

The air filter can be removed and gently rinsed with water to clean and dried on a towel before reinstalling.

! NOTE: Replace the filter so that the coarse black filter is facing the front of the engine.

Surface Cleaning

Use a warm damp cloth only to clean surfaces of the engine. Do not use abrasive cleaners.

! NOTE: If you need to move the unit ensure that all of the components that contain water have been emptied before relocating.

Warranty

Two Year Limited Warranty

Products to which this limited warranty applies

This limited warranty applies to the following models of your newly purchased Dimplex **Optimyst® Pro** and to newly purchased Dimplex fireplace surrounds (mantels) and trims. This limited warranty applies only to purchases made in any province of Canada *except* for Yukon Territory, Nunavut, or Northwest Territories or in any of the 50 States of the USA (and the District of Columbia) *except* for Hawaii and Alaska. This limited warranty applies to the original purchaser of the product only and is not transferable.

Products excluded from this limited warranty

Light bulbs are not covered by this limited warranty and are the sole responsibility of the owner/purchaser. Products purchased in Yukon Territory, Nunavut, Northwest Territories, Hawaii, or Alaska are not covered by this limited warranty. Products purchased in these States, provinces, or territories are sold AS IS without warranty or condition of any kind (including, without limitation, any implied warranties or conditions of merchantability or fitness for a particular purpose) and the entire risk of as to the quality and performance of the products is with the purchaser, and in the event of a defect the purchaser assumes the entire cost of all necessary servicing or repair.

What this limited warranty covers and for how long

Products, other than fireplace surrounds (mantels) and trims, covered by this limited warranty have been tested and inspected prior to shipment and, subject to the provisions of this warranty, Dimplex warrants such products to be free from defects in material and workmanship for a period of 2 years from the date of the first purchase of such products.

Dimplex fireplace surrounds (mantels) and trims covered by this limited warranty have

been tested and inspected prior to shipment and, subject to the provisions of this warranty, Dimplex warrants such products to be free from defects in material and workmanship for a period of 1 year from the date of first purchase of such products.

The limited 2 year warranty period for products other than fireplace surrounds (mantels) and trims and the limited 1 year warranty period for fireplace surrounds (mantels) and trims also applies to any implied warranties that may exist under applicable law. Some jurisdictions do not allow limitations on how long an implied warranty lasts, so the above limitation may not apply to the purchaser.

What this limited warranty does not cover

This limited warranty does not apply to products that have been repaired (except by Dimplex or its authorized service representatives) or otherwise altered. This limited warranty does further not apply to defects resulting from misuse, abuse, accident, neglect, incorrect installation, improper maintenance or handling, or operation with an incorrect power source.

What you must do to get service under this limited warranty

Defects must be brought to the attention of Dimplex Technical Service by contacting Dimplex at 1-888-DIMPLEX (1-888-346-7539), or 1367 Industrial Road, Cambridge Ontario, Canada N1R 7G8. Please have proof of purchase, catalogue/model and serial numbers available when calling. Limited warranty service requires a proof of purchase of the product.

What Dimplex will do in the event of a defect

In the event a product or part covered by this limited warranty is proven to be defective in material or workmanship during (i) the 2 year limited warranty period for products other than fireplace surrounds (mantels) and trims, and (ii) the 1 year limited warranty period for surrounds (mantels) and trims, you have the following rights:

- Dimplex will in its sole discretion either

Warranty

repair or replace such defective product or part without charge. If Dimplex is unable to repair or replace such product or part, or if repair or replacement is not commercially practicable or cannot be timely made, Dimplex may, in lieu of repair or replacement, choose to refund the purchase price for such product or part.

- Limited warranty service will be performed solely by dealers or service agents of Dimplex authorized to provide limited warranty services.
- **For products other than surrounds (mantels) and trims**, this 2 year limited warranty entitles the purchaser to on-site or in-home warranty services. Accordingly, Dimplex will be responsible for all labour and transportation associated with repairing or replacing the product or part except as follows: (i) charges which may be levied for travel costs incurred to travel to the purchaser's site where the product is located if the purchaser's site is beyond 30 miles (48 km) from the closest service depot of Dimplex's dealer or service agent; and (ii) the purchaser is solely responsible for providing clear access to all serviceable parts of the product.
- **For surrounds (mantels) and trims**, this 1 year limited warranty does not entitle the purchaser to on-site or in-home warranty services. The purchaser is responsible for removal and transportation of the surrounds (mantels) and trims (and any repaired or replacement product or part) to and from the authorized dealer's or service agent's place of business. On-site or in-home services for surrounds (mantels) and trims may be performed at the purchaser's specific request and expense at Dimplex's then-current rates for such services. Dimplex will not be responsible for, and this limited warranty shall not include, any expense incurred for installation or removal of the surrounds (mantels) or trims or any part thereof (or any

replacement product or part) including, without limitation, all shipping costs and transportation costs to and from the authorized dealer's or service agent's place of business and all labour costs. Such costs shall be the purchaser's responsibility.

What Dimplex and its dealers and service agents are also not responsible for:

IN NO EVENT WILL DIMPLEX, OR ITS DIRECTORS, OFFICERS, OR AGENTS, BE LIABLE TO THE PURCHASER OR ANY THIRD PARTY, WHETHER IN CONTRACT, IN TORT, OR ON ANY OTHER BASIS, FOR ANY INDIRECT, SPECIAL, PUNITIVE, EXEMPLARY, CONSEQUENTIAL, OR INCIDENTAL LOSS, COST, OR DAMAGE ARISING OUT OF OR IN CONNECTION WITH THE SALE, MAINTENANCE, USE, OR INABILITY TO USE THE PRODUCT, EVEN IF DIMPLEX OR ITS DIRECTORS, OFFICERS, OR AGENTS HAVE BEEN ADVISED OF THE POSSIBILITY OF SUCH LOSSES, COSTS OR DAMAGES, OR IF SUCH LOSSES, COSTS, OR DAMAGES ARE FORESEEABLE. IN NO EVENT WILL DIMPLEX, OR ITS OFFICERS, DIRECTORS, OR AGENTS BE LIABLE FOR ANY DIRECT LOSSES, COSTS, OR DAMAGES THAT EXCEED THE PURCHASE PRICE OF THE PRODUCT.

SOME JURISDICTIONS DO NOT ALLOW THE EXCLUSION OR LIMITATION OF INCIDENTAL OR CONSEQUENTIAL DAMAGES, SO THE ABOVE LIMITATION OR EXCLUSION MAY NOT APPLY TO THE PURCHASER.

How State and Provincial law apply

This limited warranty gives you specific legal rights, and you may also have other rights which vary from jurisdiction to jurisdiction. The provisions of the United Nations Convention on Contracts for the Sale of Goods shall not apply to this limited warranty or the sale of products covered by this limited warranty.



Replacement Parts

Remote Control	9600385600RP
Remote Control Receiver	9600580100RP
Log Media Assembly (BOF40XX)	9600720100RP
Log Media Assembly (BOF60XX)	9600730100RP
Heating Assembly (with cutout)	9600680100RP
Light Holder Assembly	9600610100RP
Removable Refill Container with Cap	0441440100RP
Cap for Refill Container	0441440300RP
Top Cover Assembly	9600670100RP
Water Reservoir (Sump)	0441380100RP
Fan Assembly	5300300100RP
Fan Housing Assembly	9600540100RP
Fan Filter	8600300100RP
Transducer	3800040100RP
On/Off Switch	9600383500RP
3-Position Switch	9600383600RP
Transformers	9600690100RP
Potentiometer	9600640100RP
Thermostat Assembly	9600620100RP
Control Knob	9600630200RP
Power Board	9600590100RP
IR Receiver with Lens	9600630200RP
Light Bulbs	RB400



Dimplex North America Limited

1367 Industrial Road

Cambridge ON

Canada N1R 7G8

© 2015 Dimplex North America Limited