

FIREPLACE OPTIONS, ACCESSORIES & CONTROLS

Fronts

Birchwood 20



Full Rectangle screen front with Traditional Brick refractory



Prairie screen front with Black Enamel refractory



Arched Mission screen front with Masonry refractory

Base Options



Traditional Legs (Standard)



Pedestal Base (Birchwood Only)



Contemporary Base (Birchwood Only)

Oakport 18



Standard screen front



Prairie Design Overlay with Black Enamel refractory



Arched Prairie Design Overlay with Black Enamel refractory

Optional Refractory



Traditional Brick (Birchwood Only)



Masonry (Birchwood Only)



Black Enamel



Finish

Black

IPI Control

(Birchwood 20-L Only)



Komfort Kontrol Remote



Vent System Approval & Requirements

This fireplace is manufactured to accept 4" x 6-5/8" pipe only.

- American Metal Products 4" x 6-5/8"
- BDM 4" x 6-5/8" (Except Cap 940264 on Oakport 18 only)
- ICC - EXCELDirect 4" x 6-5/8" - (Except CAP TM-4VT on Birchwood 20 only)
- Metal Fab 4" x 6-5/8"
- Olympia Chimney Supply, Inc. 4" x 6-5/8" - Vertical only
- Security 4" x 6-5/8" - Vertical only
- Selkirk 4" x 6-5/8"
- Simpson DuraVent 4" x 6-5/8" DV-GS (Except CAP 46DVASNK1.4 on Oakport 18 only)



Touch Screen Thermostat Remote Control



Deluxe On/Off Remote



Wired or Wireless Wall Mount Thermostat



Wireless wall switch

Millivolt Option Controls

(Excludes Birchwood 20 - L)

Burn Video



Birchwood 20



Oakport 18

The horizontal heat shield included with this fireplace must be installed when incorporating minimum horizontal venting

Elbows: Venting configurations vary between NG & LP Gas, please consult the installation manual for requirements.

Note: (2) 45° elbows = (1) 90° elbow

Maximum number of elbows for ALL vent configurations = 5

Horizontal Terminations: Venting configurations vary between NG & LP Gas, please consult the installation manual for requirements.

Vertical Terminations:
Minimum: 3' Maximum: 50'

Horizontal/Vertical Combo: Venting configurations vary between NG & LP Gas, please consult the installation manual for requirements.

SPECIFICATIONS

Model	Birchwood 20	Oakport 18
Height		
Traditional Legs	30-3/4"	26-3/4"
Pedestal & Contemporary Base	35-15/16"	N/A
Width		
Traditional Legs	25-15/16"	22-7/16"
Pedestal & Contemporary Base	27-3/4"	N/A
Depth	17-13/16"	16-5/16"
Weight	155 lbs.	114 lbs.
Viewing Area	14-1/8" x 20-1/16"	11-1/8" x 16-9/16"
BTU NG High / Low	32,500 / 15,750	24,500 / 15,500
BTU LP High / Low	32,500 / 15,750	24,500 / 19,000
Efficiencies NG / LP	69.44% / 65.16%	75% / 77%
ENERGUIDE P4 NG / LP	65.83% / 66.04%	73.76% / 76.49%
Valve System	Millivolt & IPI	Millivolt & IPI
Standard Base	Traditional Legs	Traditional Legs
Optional Bases	Pedestal & Contemporary	N/A
Optional Refractory	Traditional Brick, Masonry, Black Enamel	Black Enamel
Tile Frame Kit	Optional	N/A
Fan Kit	IPI - Standard IW - Optional	Optional
Screen Front	Required	Included

Features, Options & Specifications are subject to change.

Clearances

Model	Birchwood 20	Oakport 18
From appliance top corners to side wall	1"	1"
From appliance top to back wall	5"	5"
From appliance top to ceiling	35-3/4"	37-1/4"
From top of horizontal pipe surface to ceiling	3-1/8"	3-1/8"

In order to continually provide the highest quality product available, features/options, specifications & dimensions are subject to change. Refer to the unit installation manual for complete installation instructions. Installation must conform with local building codes. In some regions it may be possible that this appliance qualifies for an energy rebate. See your local dealer for details regarding promotions and qualifications.

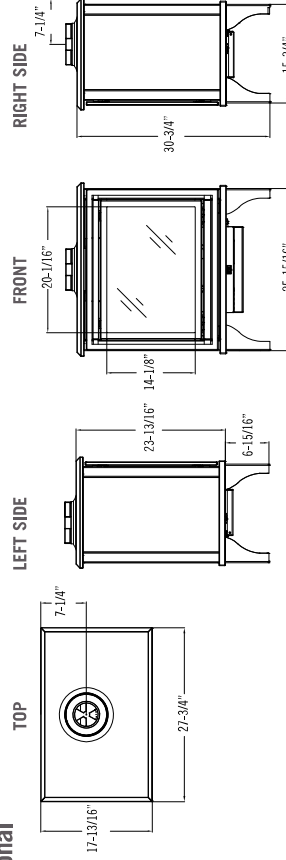


Manufactured by Husson Mfg. Co., Inc.
204 Industrial Park Drive, Lakefield, MN 56150
Phone 1-800-253-4904 www.kozyheat.com

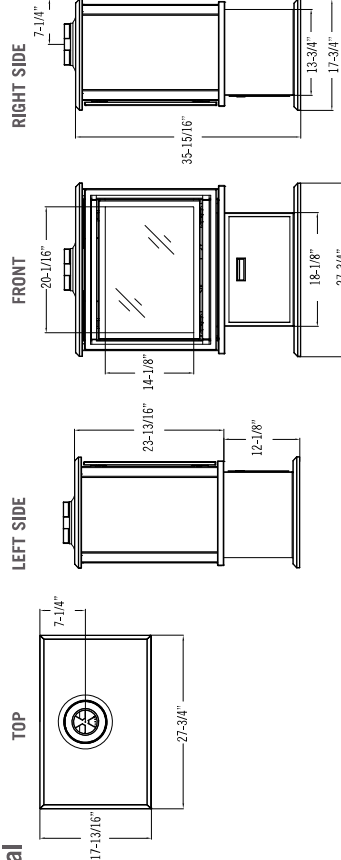
2-17

Birchwood 20

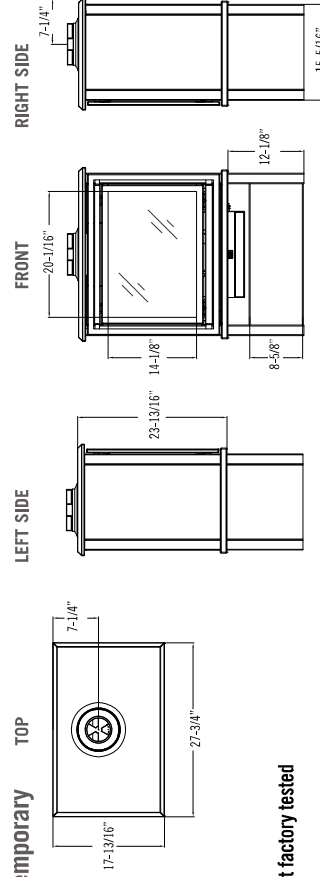
Traditional Legs



Pedestal



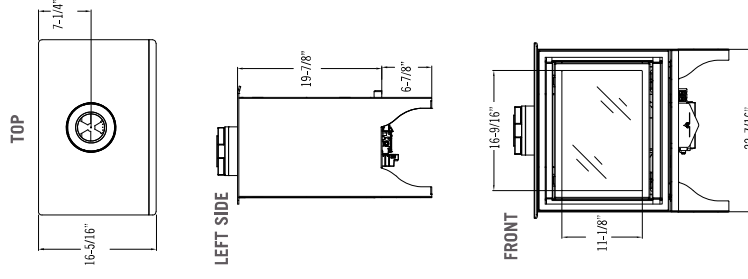
Contemporary



Each unit factory tested

Refer to the installation manuals for complete installation & venting requirements. See additional mantel clearance configurations in the installation manual.

Oakport 18



Product Line: For complete information on the Kozy Heat product line, please contact us at:

