



THE OUTDOOR  
GREATROOM  
COMPANY

# 2020 CATALOG









THE OUTDOOR  
GREATROOM  
COMPANY

# table of contents

|                                       |    |
|---------------------------------------|----|
| ABOUT                                 | 4  |
| WHAT IS AN OUTDOOR GREATROOM?         | 5  |
| WHY OGC?                              | 7  |
| GAS FIRE PIT TABLES                   | 8  |
| OUTDOOR GAS FIREPLACES                | 22 |
| CRYSTAL FIRE® PLUS BURNERS & CONTROLS | 26 |
| CONTRACT & COMMERCIAL                 | 32 |
| READY-TO-FINISH ENCLOSURES            | 40 |
| CUSTOM FIRE                           | 44 |
| ACCESSORIES                           | 48 |
| INTRIGUE COLLECTION                   | 52 |
| PERGOLAS                              | 56 |
| OUTDOOR FURNITURE                     | 60 |
| CUSTOM OUTDOOR KITCHENS               | 64 |
| GALLERY COLLECTION INDOOR FIREPLACES  | 68 |
| GALLERY COLLECTION INDOOR ACCESSORIES | 76 |
| STANDARD MATERIALS                    | 80 |
| FAQ's                                 | 82 |
| CUSTOM FORMS                          | 84 |
| FIRE TABLES ACCESSORIES CHART         | 90 |
| NOTES                                 | 94 |
| WARRANTY                              | 98 |
| CONTACT                               | 99 |



# CREATING A LIFETIME OF OUTDOOR EXPERIENCES THROUGH FIRE



## WHO WE ARE

Located in the heart of Minnesota, The Outdoor GreatRoom Company™ (OGC) manufactures unique, upscale products with design appeal for outdoor living spaces. Products include gas fire pit tables, Crystal Fire® Plus burners and burner inserts, pergolas, outdoor kitchen islands, outdoor gas fireplaces, outdoor patio furniture, accessories, and custom products for residential and commercial applications.

## WHAT WE DO

The team behind The Outdoor GreatRoom Company™ was the first to enter into the gas fire pit category, positioning OGC as the experts on outdoor fire. We are a US Manufacturer and all of our Crystal Fire® Plus burners and fire pits are UL and ULC listed for safety.

## OUR PROMISE

Let the Outdoor GreatRoom Company help to define your outdoor experience. We set the trends outside as your one-stop-shop for safe products, reliable and friendly service, and innovative technology. From concept to design to delivery, we will ensure your style doesn't stop at the door. Distinctive products for a distinctive lifestyle. Bring home outside.

## OUR MISSION

To bring family and friends together by redefining the home living experience through innovative products and people.

## HISTORY

In 1975, Dan and Ron Shimek had an inspiration for indoor gas fireplaces that changed an industry and became the foundation of Heat-N-Glo®. Brothers Steve and Gerry joined them and the rest (including over 50 patents) is history. But the Shimeks were never ones to dwell on the past. That inspiration led Dan to launch the first company of its kind in 2003: The Outdoor GreatRoom Company™ – a company dedicated to an exciting new concept “the outdoor greatroom.”



# what is an outdoor greatroom?

## BRING HOME OUTSIDE.

The “outdoor greatroom” came from the idea that homeowners should enjoy their outdoor space as much as their indoor living space and that the comforts of indoors were to be enjoyed outdoors. This idea has been the foundation of our company and our inspiration to provide innovative products to those who like to entertain and live life outside.

The Outdoor GreatRoom Company™ is your one-stop-shop to make any dream outdoor space come to life.











## why o g c ?

OGC is focused on bringing the best and safest products to market. That's why we have a team with over 20 years experience manufacturing products in the outdoor living category, and we continue to introduce new and innovative products year after year.

- Crystal Fire® Plus burner technology - the safest and most reliable in the industry
- UL, ULC, & CE listed - safety tested
- Design-forward products handcrafted in MN from durable, outdoor-rated materials
- You can rely on our team like family - we provide exceptional customer service, reliability, and warranty









# GAS FIRE PIT TABLES

|             |    |
|-------------|----|
| LINEAR      | 10 |
| RECTANGULAR | 14 |
| ROUND       | 17 |
| SQUARE      | 20 |







# gas fire pit tables

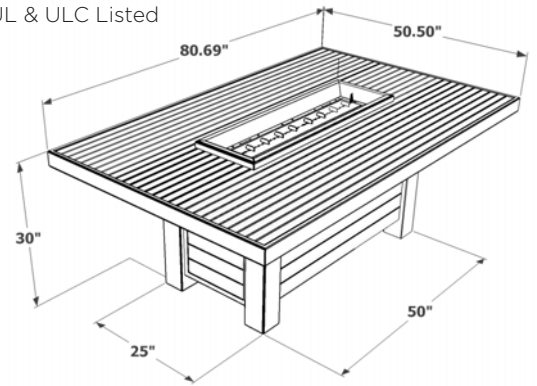
Light up the night and add ambiance to your outdoor space with beautiful gas fire pit tables. These glowing fires will become the place to gather with family and friends for years to come. Every fire table includes our patent pending Crystal Fire® Plus burner technology for the best and safest experience.

## kenwood linear dining



KW-1242-K

- Easy to maintain Brown composite decking top & base with 12x42" Crystal Fire® Plus burner
- Graphite Grey powder-coated aluminum frame
- Pair with optional Kenwood Benches (KW-LB & KW-SB) or Lyndale Swivel Rocking Chairs
- Access door conceals standard 20 lb. propane tank in base
- Optional GLASS GUARD-1242, FWG-1242 folding wind guard, and CVR8355 protective cover
- Grey glass burner cover included
- UL & ULC Listed

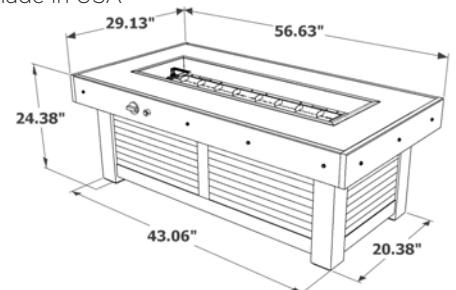


## denali brew



DENBR-1242

- Sienna Suede ultracompact surface top on Mocha wood and corrugated galvanized metal base with 12x42" Crystal Fire® Plus burner
- Matching burner cover included
- Store the burner cover with built-in storage clips
- Optional bottle opener is included
- Optional GLASS GUARD-1242, FWG-1242 folding wind guard, and CVR6332 protective cover sold separately
- Sliding access door conceals standard 20 lb. propane tank in base
- UL & ULC Listed
- Made in USA

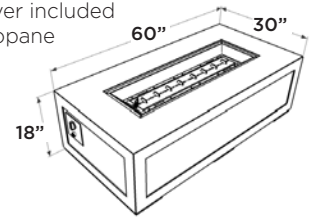




# cove linear



- Natural Grey Supercast™ base with 12x42" Black powder-coated Crystal Fire® Plus Burner
- Contemporary Natural Grey concrete finish is unique to each, color density variations will occur
- Optional Tumbled or Black Lava Rock (LAV-TMB or LAVA-BLK), GLASS GUARD-1242, & CVR6332 protective cover
- Grey glass burner cover included
- Does not fit 20 lb. propane tank in base
- UL & ULC Listed
- Made in USA



# kinney



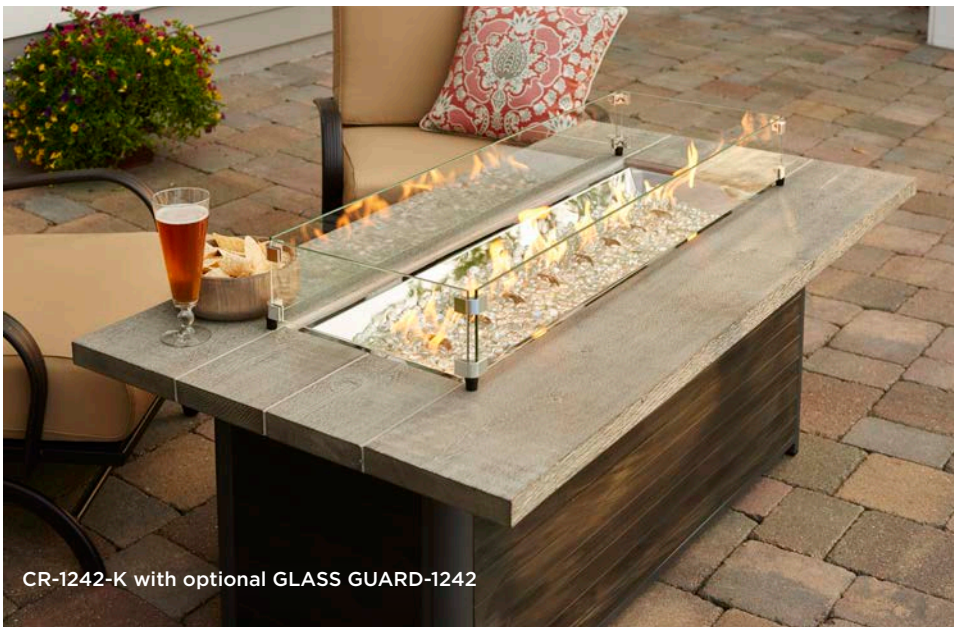
KN-1224

- Trilium ultracompact surface top on black powder-coated metal base
- 12x24" Black powder-coated Crystal Fire® Plus burner
- Access door conceals tank slider for horizontal LP tank (LP tank not included)
- Matching burner cover included, stores in base
- Optional GLASS GUARD-1224, FWG-1224 folding wind guard, & CVR5727 protective cover
- Coloring and pattern is unique to each top, variations will occur
- UL, ULC, & CE Listed
- Made in USA



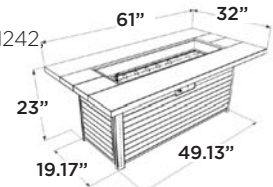
Horizontal LP cylinder with tank slider in base

# cedar ridge



CR-1242-K with optional GLASS GUARD-1242

- Dark Grey composite decking with Washed Cedar Supercast™ top and 12x42" Crystal Fire® Plus burner
- Matching Supercast™ burner cover included
- Access door conceals standard 20 lb. propane tank in base
- Optional GLASS GUARD-1242, FWG-1242 folding wind guard, and CVR6332 protective cover
- UL & ULC Listed

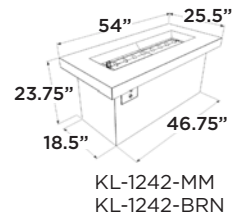
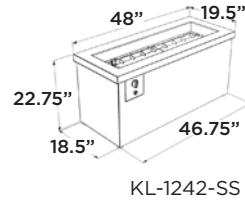




# key largo



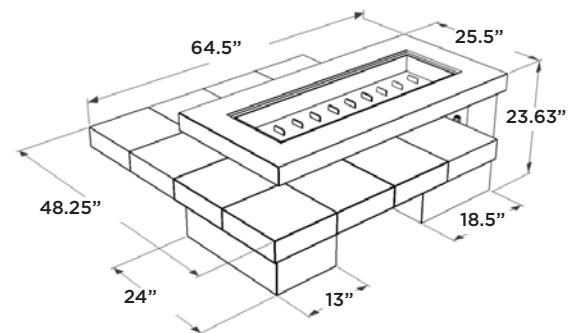
- Stainless Steel trim or Polished Midnight Mist Supercast™ with Black Fleck stucco base, or Polished Mocha Supercast™ top with Serengeti stucco base
- 12x42" Crystal Fire® Plus burner
- Grey glass burner cover included
- Optional GLASS GUARD-1242, FWG-1242 folding wind guard, and CVR5020 (for KL-1242-SS) or CVR5427 (for KL-1242-BRN & KL-1242-MM) protective covers
- Sliding tank door holds standard 20 lb. propane tank in base
- UL & ULC Listed.
- Made in USA



# uptown



- Absolute Black granite tile with Polished Midnight Mist Supercast™ on Midnight Storm stucco base or Polished Mocha Supercast™ with Continental Slate porcelain tile on Stony Creek stucco base
- 12x42" Crystal Fire® Plus burner
- Grey glass burner cover included
- Optional GLASS GUARD-1242, FWG-1242 folding wind guard, and CVR6549 protective cover
- Sliding tank door holds standard 20 lb. propane tank in base
- UL & ULC Listed
- Made in USA



LINEAR

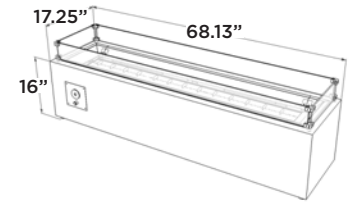


# cortlin



COR-1264 shown with optional GLASS GUARD-1264

- Corten steel-look Ferros stucco base
- 12x64" Crystal Fire® Plus burner
- Grey glass burner cover included (2 pieces)
- Optional GLASS GUARD-1264 and Tumbled Lava (LAV-TMB)
- Does not fit 20 lb. LP tank in base
- UL & ULC Listed
- Made in USA



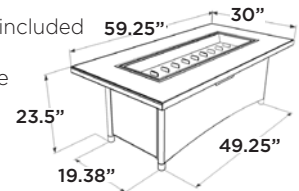
Optional Tumbled Lava Rock LAV-TMB

# montego



Black Montego  
MG-1242-BLK-K

- Black or Balsam wicker base with black glass top
- 12x42" Crystal Fire® Plus burner
- Optional GLASS GUARD-1242, FWG-1242 folding wind guard, and CVR6332 protective cover
- Grey glass burner cover included
- Access door conceals standard 20 lb. propane tank in base
- UL & ULC Listed



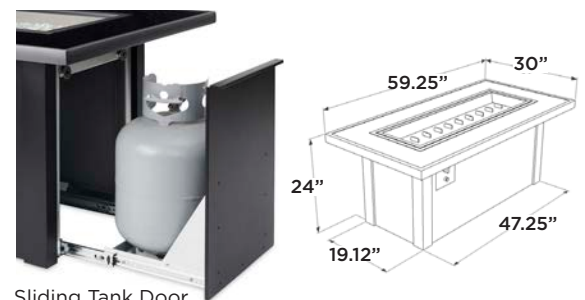
Balsam Montego  
MG-1242-BLSM-K

# monte carlo



MCR-1242-BLK-K

- Black powder-coated metal base with black glass top
- 12x42" Crystal Fire® Plus burner
- Grey glass burner cover Included
- Sliding tank door holds standard 20 lb. propane tank in base
- Optional GLASS GUARD-1242, FWG-1242 folding wind guard, & CVR6332 protective cover
- UL & ULC Listed



Sliding Tank Door

LINEAR

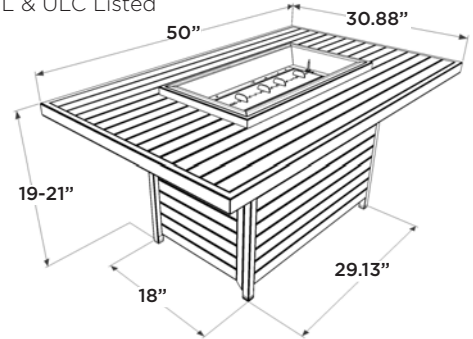


# kenwood rectangular chat



KW-1224-K with optional GLASS GUARD-1224

- Brown composite decking top and base with 12x24" Crystal Fire® Plus burner
- Graphite Grey powder-coated aluminum frame
- Optional 2" riser included to fit standard 20 lb. propane tank in base
- Pair with optional Kenwood Short Bench (KW-SB)
- Grey glass burner cover included
- Optional GLASS GUARD-1224 and CVR5132 protective cover
- UL & ULC Listed

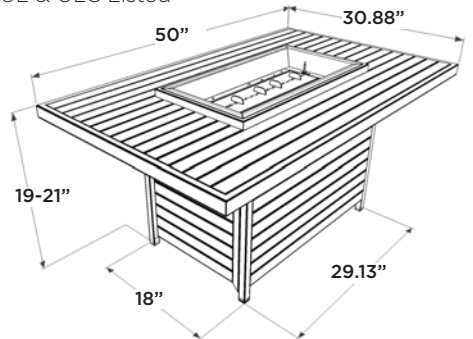


# brooks



BRK-1224-K with optional GLASS GUARD-1224

- Easy to maintain Taupe composite decking top and base with 12x24" Crystal Fire® Plus burner
- Graphite Grey powder-coated aluminum framing
- Grey glass burner cover included
- Optional GLASS GUARD-1224 and CVR5132 protective cover
- Optional 2" riser included to fit standard 20 lb. propane tank in base
- UL & ULC Listed

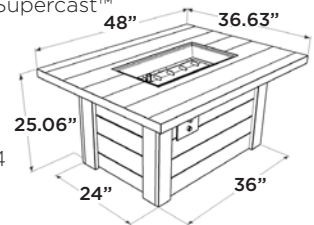


# alcott



ALC-1224

- Antique Timber Supercast™ top with White Washed Shiplap-look base
- 12x24" Dora Brown powder-coated Crystal Fire® Plus burner
- Matching Antique Timber Supercast™ burner cover included
- Sliding tank door holds standard 20 lb. propane tank in base
- Optional CVR5038 protective cover, FWG-1224 folding wind guard, and GLASS GUARD-1224
- UL & ULC Listed.
- Made in USA



ALC-1224 with optional GLASS GUARD-1224



Sliding Tank Door

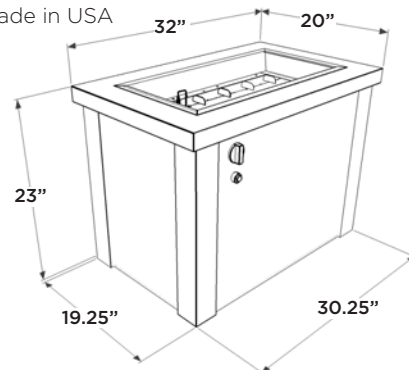


# providence stainless steel



PROV-1224-SS

- Stainless Steel trim top and black powder-coated metal base with 12x24" Crystal Fire® Plus burner
- Access door conceals standard 20 lb. propane tank in base
- Grey glass burner cover included
- Optional GLASS GUARD-1224 and CVR3727 protective cover
- UL & ULC Listed.
- Made in USA

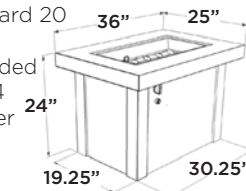


# providence supercast



Marbleized Noche Providence with optional glass guard  
PROV-1224-MNB-K with optional GLASS GUARD-1224

- White Onyx Supercast™ top with Black powder-coated metal base or Marbleized Noche Supercast™ top with Architectural Bronze powder-coated metal base with 12x24" Crystal Fire® Plus burner
- Access door conceals standard 20 lb. propane tank in base
- Grey glass burner cover included
- Optional GLASS GUARD-1224 and CVR3727 protective cover
- UL & ULC Listed
- Made in USA



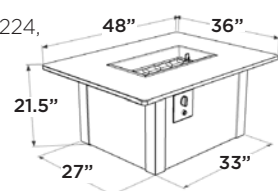
White Onyx Providence with optional glass guard  
PROV-1224-WO-K with GLASS GUARD-1224

# grandstone



British Brown Grandstone with optional glass guard  
GS-1224-BRN-K with optional GLASS GUARD-1224

- British Brown granite on a Sedona Brown powder-coated metal base or Absolute Black granite on a Black powder-coated metal base with 12x24" Crystal Fire® Plus burner
- Sliding tank door conceals standard 20 lb. propane tank in base
- Optional GLASS GUARD-1224, FWG-1224 folding wind guard, and CVR5038 protective cover
- Grey glass burner cover included
- UL & ULC Listed



Absolute Black Grandstone  
GS-1224-BLK-K



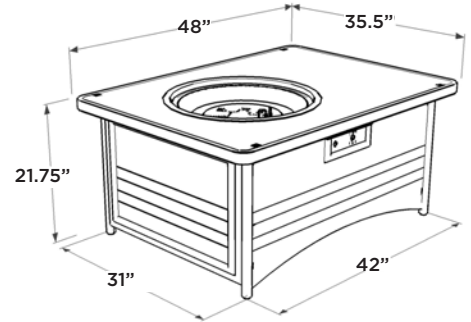
Sliding Tank Door



# naples



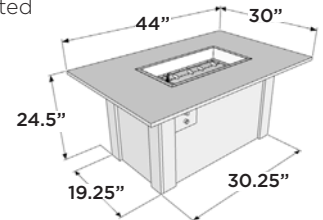
- Black glass top on Balsam wicker base with 20" round Crystal Fire® Plus burner
- Powder-coated aluminum frame
- Access door conceals standard 20 lb. propane tank in base
- Black glass burner cover included
- Optional GLASS GUARD-20-R and CVR5038 protective cover
- UL & ULC Listed



# havenwood



- Driftwood or Stone Grey Everblend concrete top with 12x24" Crystal Fire® Plus burner
- White or grey powder-coated steel metal base
- Mix and match tops and bases
- Access door conceals standard 20 lb. propane tank in base
- Grey glass burner cover included
- Optional GLASS GUARD-1224 and FWG-1224
- UL & ULC Listed
- Made in USA



The Outdoor GreatRoom Company™ was the first to enter into the gas fire table category, and with that expertise we offer the most reliable and safest outdoor gas fire products available.

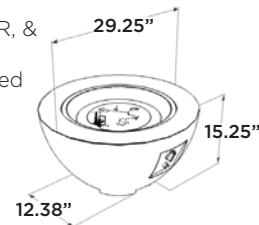


# cove 20 fire pit bowl



CV-20

- Natural Grey Supercast™ bowl with 20" round Crystal Fire® Plus burner
- Contemporary Natural Grey concrete finish is unique to each fire bowl, common attributes include pitting and color density variation
- Optional GLASS GUARD-20-R, & CVR36 protective cover
- Grey glass burner cover included
- Does not fit 20 lb. propane tank in base
- UL & ULC Listed.
- Made in USA



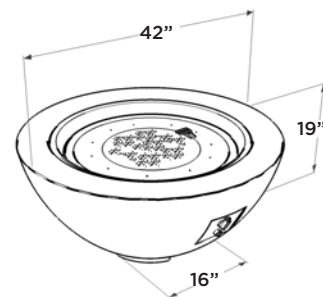
CV-20 with optional GLASS GUARD-20-R

# cove 30 fire pit bowl



White Cove 30 with optional glass guard  
CV-30WT with optional GLASS GUARD-30-R

- Natural Grey, White, or Black Supercast™ bowl with 30" round Crystal Fire® Plus burner
- The contemporary concrete finish is unique to each fire bowl, color density variation will occur
- Control panels are powder-coated to match concrete color
- Optional GLASS GUARD-30-R and CVR42 protective cover
- Grey glass burner cover included
- Does not fit 20 lb. propane tank in base
- UL & ULC Listed
- Made in USA



Black Cove 30 with optional glass guard  
CV-30BLK with optional GLASS GUARD-30-R



Natural Grey Cove 30  
CV-30



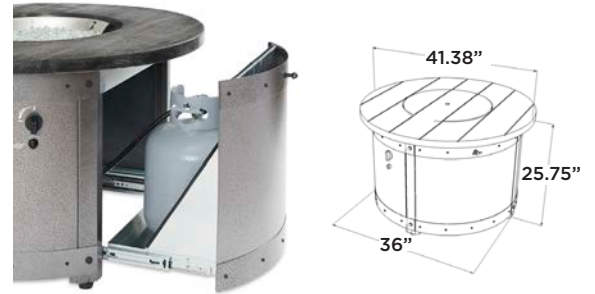
# edison



ED-20 with optional GLASS GUARD-20-R

Weathered Grey Barnwood Supercast™ Detail

- Weathered Grey Barnwood Supercast™ top on a Pewter Crater powder-coated steel base with 20" round Crystal Fire® Plus burner
- Matching Supercast™ burner cover included
- Sliding access door holds standard 20 lb. propane tank in base
- Optional GLASS GUARD-20-R and CVR42 protective cover
- UL & ULC Listed
- Made in USA



Sliding Tank Door

# stonefire



SF-32-GREY-K

- Brown Stonefire composite top with Dora Brown powder-coated aluminum frame with Brown mesh base or Grey Stonefire composite top with Graphite Grey powder-coated frame with Grey mesh base
- Matching Stonefire composite burner cover included
- Access door conceals standard 20 lb. propane tank in base
- Optional CVR36 protective cover
- 16" Crystal Fire® burner insert
- UL & ULC Listed



SF-32-K

# renegade



RNG-32

- Portable gas fire pit table for RVing, camping, tailgating, and more
- Black powder-coated diamond plate metal finish
- Matching burner cover and carrying bag included
- Detachable legs for convenient storage and carrying
- 16" Crystal Fire® burner insert
- UL & ULC Listed



Carrying bag



# beacon granite

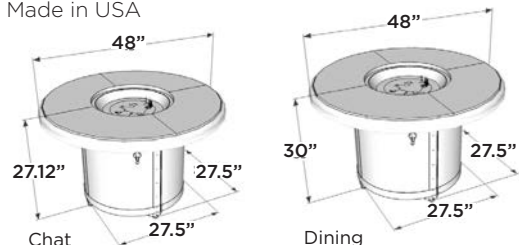


**Black Granite Beacon Chat Fire Pit Table**  
with optional glass guard  
BC-20-AB with optional GLASS GUARD-20-R



Sliding Tank Door

- Absolute Black granite top on Black powder-coated metal base or British Brown granite top on Dora Brown powder-coated metal base with 20" Crystal Fire® Plus burner
- Granite Lazy Susan burner cover included
- Sliding tank door holds standard 20 lb. propane tank in base
- Brown available in chat or dining height, black available in chat height only
- Optional GLASS GUARD-20-R and CVR50 protective cover
- UL & ULC Listed
- Made in USA



**Brown Granite Beacon Dining Fire Pit Table**  
with optional glass guard  
BD-20-BG with GLASS GUARD-20-R

# beacon supercast™

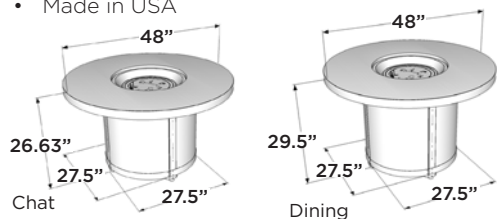


**Marbleized Noche Beacon Dining Fire Pit Table**  
with optional glass guard  
BD-20-MNB with optional GLASS GUARD-20-R



Sliding Tank Door

- White Onyx Supercast™ top on Graphite Grey powder-coated metal base or Marbleized Noche Supercast™ top on Dora Brown powder-coated metal base with 20" Crystal Fire® Plus burner
- Matching Supercast™ burner cover included
- Sliding tank door holds standard 20 lb. propane tank in base
- Available in chat or dining height
- Optional GLASS GUARD-20-R and CVR50 protective cover
- UL & ULC Listed
- Made in USA



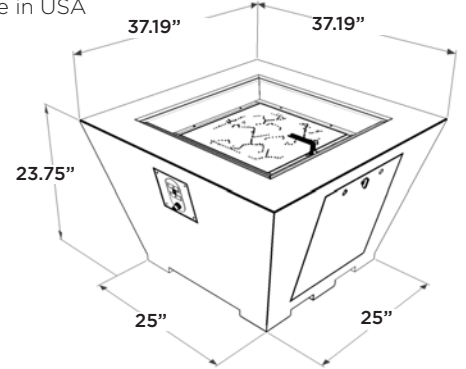
**White Onyx Beacon Chat Fire Pit Table**  
with optional glass guard  
BC-20-WO with GLASS GUARD-20-R



# cove square



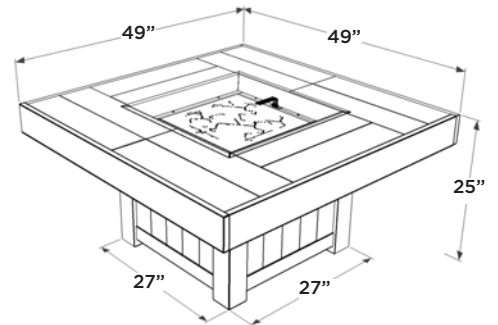
- Natural Grey Supercast™ base with 24x24" Black powder-coated Crystal Fire® burner
- Contemporary Natural Grey concrete finish is unique to each fire pit, common attributes include pitting and color density variation
- Access door conceals standard 20 lb. propane tank in base
- Grey glass burner cover included
- Optional Tumbled or Black Lava Rock (LAV-TMB or LAVA-BLK), CVR3939 protective cover, and GLASS GUARD-2424
- UL & ULC Listed
- Made in USA



# vintage square



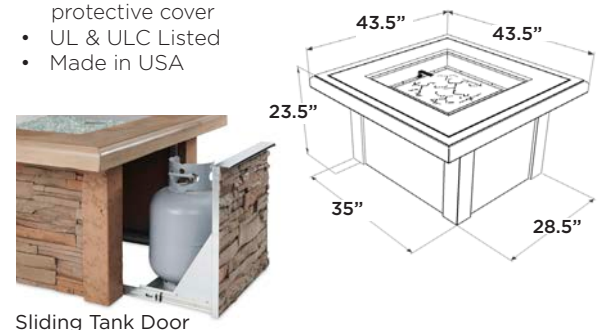
- Colorful faux-wood tile top with 24x24" Dora Brown powder-coated Crystal Fire® burner
- Access door conceals standard 20 lb. propane tank in base
- Distressed cedar paneled base is unique to each fire pit table, wood color and grain pattern will vary
- Grey glass burner cover included
- Optional GLASS GUARD-2424 and CVR5151 protective cover
- UL & ULC Listed
- Made in USA



# sierra square



- Outdoor-rated faux stacked stone and durable Mocha Supercast™ top
- 24x24" Crystal Fire® burner
- Sliding tank door holds standard 20 lb. propane tank in base
- Matching recessed Supercast™ burner cover included
- Optional GLASS GUARD-2424 and CVR4444 protective cover
- UL & ULC Listed
- Made in USA

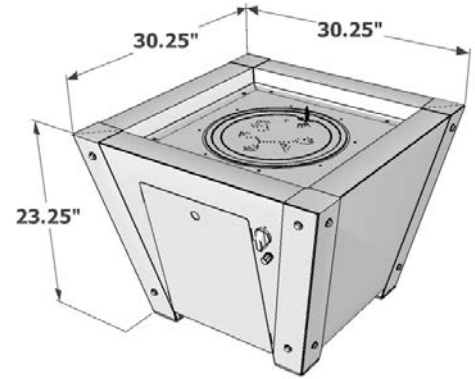




axel



- Charcoal powder-coated steel construction
- Round 16" Crystal Fire® burner insert inside 24x24" plate
- Access door conceals standard 20 lb. propane tank in base
- Grey glass burner cover included
- Optional GLASS GUARD-2424 and CVR3939 protective cover
- UL & ULC Listed
- Made in USA



AX-16

Bring home outside.











# OUTDOOR GAS FIREPLACES







# outdoor gas fireplaces

Make your outdoor room memorable with a beautiful gas fireplace. These gas fireplaces make a statement that your friends and family won't forget.

## stone arch

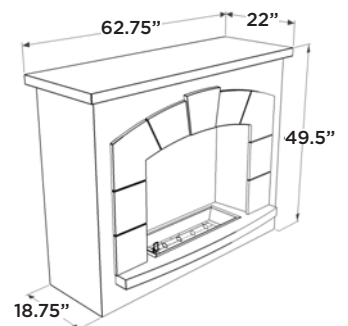


SAFP-1224



CF-1224 LOG SET-K

- G90 Marine-grade galvanized frame system with fiber cement board and exterior Stony Creek stucco finish
- Marbleized Noche Supercast™ insert, mantel, and top cap
- Comes standard with 12x24" Crystal Fire® Plus burner
- Access door conceals standard 20 lb. propane tank in side of fireplace
- Optional decorative CF1224-LOG SET-K and CVR6422 protective cover
- Can be used on any flat surface
- Available unfinished - see our ready-to-finish enclosures on page 42-43
- Weight: 400 lbs.
- UL & ULC Listed
- Made in USA





UL Listed for safety.











# Crystal Fire<sup>PLUS</sup>

## BURNERS

|                                |    |
|--------------------------------|----|
| CRYSTAL FIRE <sup>®</sup> PLUS | 28 |
| CONTROLS & OPTIONS             | 29 |
| SPECIFICATIONS                 | 30 |





# Crystal Fire<sup>PLUS</sup> burners

Patent pending burner technology to build the perfect fire.

We offer 20 Crystal Fire<sup>®</sup> Plus burners plus custom options. All burners are UL & ULC listed and tested for safety and quality. Crystal Fire<sup>®</sup> Plus burners are included with every OGC fire pit table and can be purchased separately for custom-built fire pits and installations.

Crystal Fire<sup>®</sup> Plus burners and burner inserts are made from commercial grade #304 stainless steel and include a Variable Control Safety Valve, control panel, and clear tempered fire glass gems. All Crystal Fire<sup>®</sup> Plus burners and burner inserts are UL and ULC Listed to ANSI Z21.97-2017/CSA 2.41-2017 standard.

Crystal Fire<sup>®</sup> Plus burners and burner inserts have a higher BTU capacity and upgraded burner construction for a brighter, taller, fuller, more yellow flame. The pan burner design produces a more natural looking flame. Raised and extruded burner ports protect the burner from rain or water. Water safely drains from the perimeter of the pitched burner surface and out the perimeter of the pan.

Find videos and more information at [CrystalFirePlus.com](http://CrystalFirePlus.com).

- Provides “Positive Connect” user experience, meaning minimal gas connections and quick installation time
- All connections made in factory with Flex Line, LP Hose & Regulator, and Variable Control Safety Valve pre-connected
- Controlled by a Variable Control Safety Valve with safety ignition and safety shutdown operations
- If flame is not sensed for any reason, the flow of gas to the burner will safely shut down
- Comes set up for connection to liquid propane but can be field-converted to natural gas
- Fully adjustable flame height
- Glass wind guard highly recommended to enhance flame and protect surrounding finishes
- 3 finishes: Stainless Steel, Dora Brown, & Black
- Ventilation required for field-installed burner enclosures
- Installation should be completed by a certified gas technician
- Patent Pending
- UL & ULC Listed
- Limited lifetime warranty on Stainless Steel
- One year warranty on ignition controls



**ADJUSTABLE  
FLAME**



**SAFETY  
IGNITION &  
SHUTDOWN**



**POSITIVE  
CONNECT**



**SAFETY  
TESTED**



**#304  
STAINLESS  
STEEL**



**OUTDOOR  
RATED  
CONSTRUCTION**



**LIMITED  
LIFETIME  
WARRANTY**



# controls, ignitions, & options

## VARIABLE CONTROL SAFETY VALVE SYSTEM



- Included with every standard Crystal Fire® Plus burner and fire table
- If flame is not sensed for any reason, the flow of gas to the burner will safely shut down
- Adjustable flame operation
- Black powder-coated panel with Black plastic knob and sparker
- For liquid propane or natural gas
- Gas key optional
- 6.375" H x 3.5" W

## DIRECT SPARK IGNITION (DSI) SYSTEM



- On/Off operation
- Flame can be automatically ignited with a single control either on the unit or nearby surface
- If flame is not sensed for any reason, the flow of gas to the burner will safely shut down
- DSI System comes set up to run on 110V, battery operation optional (CF-DSI-BP), remote optional (CF-DSI-R)
- Wall switch operation optional, must order additional Switch Bypass (CF-DSI-SB.) Eliminates remote capability.
- Not field-convertible and cannot be retro-fitted.
- Order specific for liquid propane or natural gas
- Black powder-coated control panel is 6.375" H x 6.375" W
- If you are seeking a DSI system for commercial application, check out our commercial burner packages which includes additional commercial safety features

## 4 HOUR TIMER



- Four hour timer
- Timer replaces controls for DSI System
- Timer is built into control panel
- Black powder-coated panel with White knob
- 6.375" H x 3.5" W

4HRTC

## DIY CONTROL PANELS



VCSV-DIY-CP



DSI-DIY-CP

- Order for use with Variable Control Safety Valve (VCSV-DIY-CP) or Direct Spark Ignition (DSI-DIY-CP)
- For use with custom or hardscape block applications
- 4" H x 9.5" W x 3" D

## VENT BLOCK & VENT PLATE



VENT BLOCK BLACK



21005

- Crystal Fire® Plus Burners require ventilation for any DIY or field-installed application
- Vent Block (VENT BLOCK BLACK) is 4" H x 8.5" W x 4" D black powder-coated steel
- Vent Plate (21005) is 3" H x 12" W brushed stainless steel



# Crystal Fire<sup>PLUS</sup> burner specifications



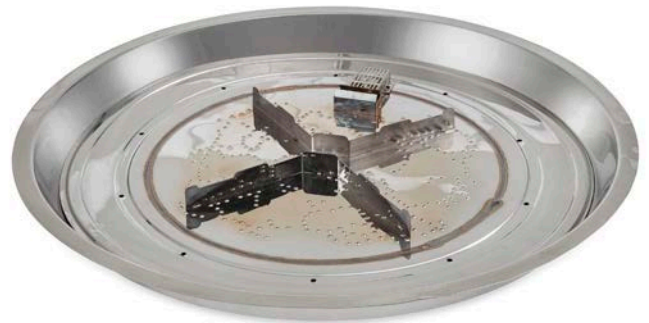
CFP20



CFP1264



CFP1242



CFP30

## ROUND

| BURNER NAME                     | MODEL #   | DEPTH | DIAMETER | WEIGHT   | MAX BTU's LP/NG | FIRE MEDIA*** |
|---------------------------------|-----------|-------|----------|----------|-----------------|---------------|
| 12" Round Crystal Fire®         | CF-12-DIY | 4.5"  | 12"      | 4 lbs    | 20,000/19,500   | 5 lbs         |
| 20" Round Crystal Fire® Plus*   | CFP20     | 5.39" | 21.06"   | 10.5 lbs | 55,000/55,000   | 10 lbs        |
| 30" Round Crystal Fire® Plus    | CFP30     | 4.39" | 32"      | 18.1 lbs | 106,000/105,000 | 25 lbs        |
| 38" Round DIY Crystal Fire® Kit | DIY-38    | 4"    | 37"      | 32 lbs   | 79,500/107,500  | 30 lbs        |

## SQUARE

| BURNER NAME                        | MODEL #     | DEPTH | WIDTH  | LENGTH | WEIGHT   | MAX BTU's LP/NG | FIRE MEDIA*** |
|------------------------------------|-------------|-------|--------|--------|----------|-----------------|---------------|
| 16x16" Square Pewter Crystal Fire® | CF-1616-PTR | 5.65" | 15.61" | 15.61" | 5.25 lbs | 20,000/19,500   | 10 lbs        |
| 24x24" Square Crystal Fire®        | CF-2424-DIY | 4.63" | 25.75" | 25.75" | 16 lbs   | 79,500/107,500  | 20 lbs        |

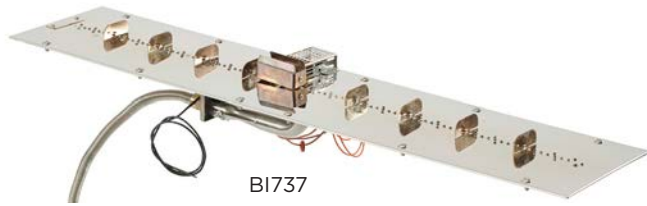
## LINEAR

| BURNER NAME                | MODEL #              | DEPTH  | WIDTH | LENGTH | WEIGHT   | MAX BTU's LP/NG | FIRE MEDIA*** |
|----------------------------|----------------------|--------|-------|--------|----------|-----------------|---------------|
| 12x24" Crystal Fire® Plus* | CFP1224              | 4.84"  | 13.5" | 25.63" | 9.6 lbs  | 55,000/55,000   | 10 lbs        |
| 12x42" Crystal Fire® Plus* | CFP1242              | 4.82"  | 13.5" | 42.52" | 14.1 lbs | 80,000/80,000   | 15 lbs        |
| 12x64" Crystal Fire® Plus  | CFP1264              | 4.71"  | 13.5" | 64.3"  | 19.3 lbs | 100,000/100,000 | 20 lbs        |
| 12x72" Crystal Fire® Plus  | CFP1272              | 4.81"  | 13.5" | 72"    | 22.3 lbs | 125,000/125,000 | 25 lbs        |
| 12x84" Crystal Fire® Plus  | CFP1284              | 4.81"  | 13.5" | 84"    | 25.7 lbs | 140,000/140,000 | 25 lbs        |
| 12x96" Crystal Fire® Plus  | CFP1296              | 4.81"  | 13.5" | 96"    | 29.1 lbs | 165,000/165,000 | 30 lbs        |
| 12x108" Crystal Fire® Plus | CFP12108             | 4.81"  | 13.5" | 108"   | 32.5 lbs | 180,000/180,000 | 35 lbs        |
| 12x120" Crystal Fire® Plus | CFP12120             | 4.81"  | 13.5" | 120"   | 35.9 lbs | 200,000/200,000 | 40 lbs        |
| 56" Wave                   | WV-56-LP or WV-56-NG | 13.88" | 8"    | 55.63" | 14 lbs   | 150,000/150,000 | 15 lbs        |

\*Higher BTU output orifice available. Contact OGC for information. A Glass Wind Guard must be used if higher BTU output orifice is installed with any OGC fire table.  
 \*\*\*Depending on your application, you may need more or less fire media than the suggested amount.



# Crystal Fire<sup>PLUS</sup> insert & plate specifications



BI737



BP1236

## ROUND & SQUARE

| BURNER NAME                                 | MODEL #       | OPTIONAL PLATE | DEPTH        | WIDTH         | LENGTH        | WEIGHT          | MAX BTU's LP/NG        | FIRE MEDIA*** |
|---|---------------|----------------|--------------|---------------|---------------|-----------------|------------------------|---------------|
| <b>16" Round Crystal Fire® Plus Insert*</b> | <b>BI16</b>   |                | <b>4.82"</b> | <b>15.87"</b> | <b>15.87"</b> | <b>4.9 lbs</b>  | <b>55,000/55,000</b>   | <b>10 lbs</b> |
| <i>Round Plates</i>                         |               |                |              |               |               |                 |                        |               |
| 20" Round Burner Plate**                    |               | BP20RD         | 4.82"        | 20"           | 20"           | 9.8 lbs         | 55,000/55,000          | 10 lbs        |
| 24" Round Burner Plate**                    |               | BP24RD         | 4.82"        | 24"           | 24"           | 13.7 lbs        | 55,000/55,000          | 15 lbs        |
| <i>Square Plates</i>                        |               |                |              |               |               |                 |                        |               |
| 24" Square Burner Plate**                   |               | BP24S          | 4.82"        | 24"           | 24"           | 10.3 lbs        | 55,000/55,000          | 25 lbs        |
| 30" Square Burner Plate**                   |               | BP30S          | 4.82"        | 30"           | 30"           | 13.3 lbs        | 55,000/55,000          | 30 lbs        |
| <b>28" Round Crystal Fire® Plus Insert</b>  | <b>BI28</b>   |                | <b>4.18"</b> | <b>28"</b>    | <b>28"</b>    | <b>18.5 lbs</b> | <b>106,000/105,000</b> | <b>25 lbs</b> |
| <i>Round Plates</i>                         |               |                |              |               |               |                 |                        |               |
| 30" Round Burner Plate**                    |               | BP30RD         | 4.18"        | 30"           | 30"           | 21 lbs          | 106,000/105,000        | 25 lbs        |
| 36" Round Burner Plate**                    |               | BP36RD         | 4.18"        | 36"           | 36"           | 29.9 lbs        | 106,000/105,000        | 30 lbs        |
| 42" Round Burner Plate**                    |               | BP42RD         | 4.18"        | 42"           | 42"           | 40.4 lbs        | 106,000/105,000        | 35 lbs        |
| 48" Round Burner Plate**                    |               | BP48RD         | 4.18"        | 48"           | 48"           | 52.5 lbs        | 106,000/105,000        | 40 lbs        |
| <i>Square Plates</i>                        |               |                |              |               |               |                 |                        |               |
| 36" Square Burner Plate**                   |               | BP36S          | 4.18"        | 36"           | 36"           | 27.9 lbs        | 106,000/105,000        | 35 lbs        |
| 42" Square Burner Plate**                   |               | BP42S          | 4.18"        | 42"           | 42"           | 29.9 lbs        | 106,000/105,000        | 40 lbs        |
| <b>19x19" Square Crystal Fire® Insert</b>   | <b>NF1919</b> |                | <b>4.2"</b>  | <b>19.64"</b> | <b>19.64"</b> | <b>10.4 lbs</b> | <b>79,500/107,500</b>  | <b>20 lbs</b> |

## LINEAR

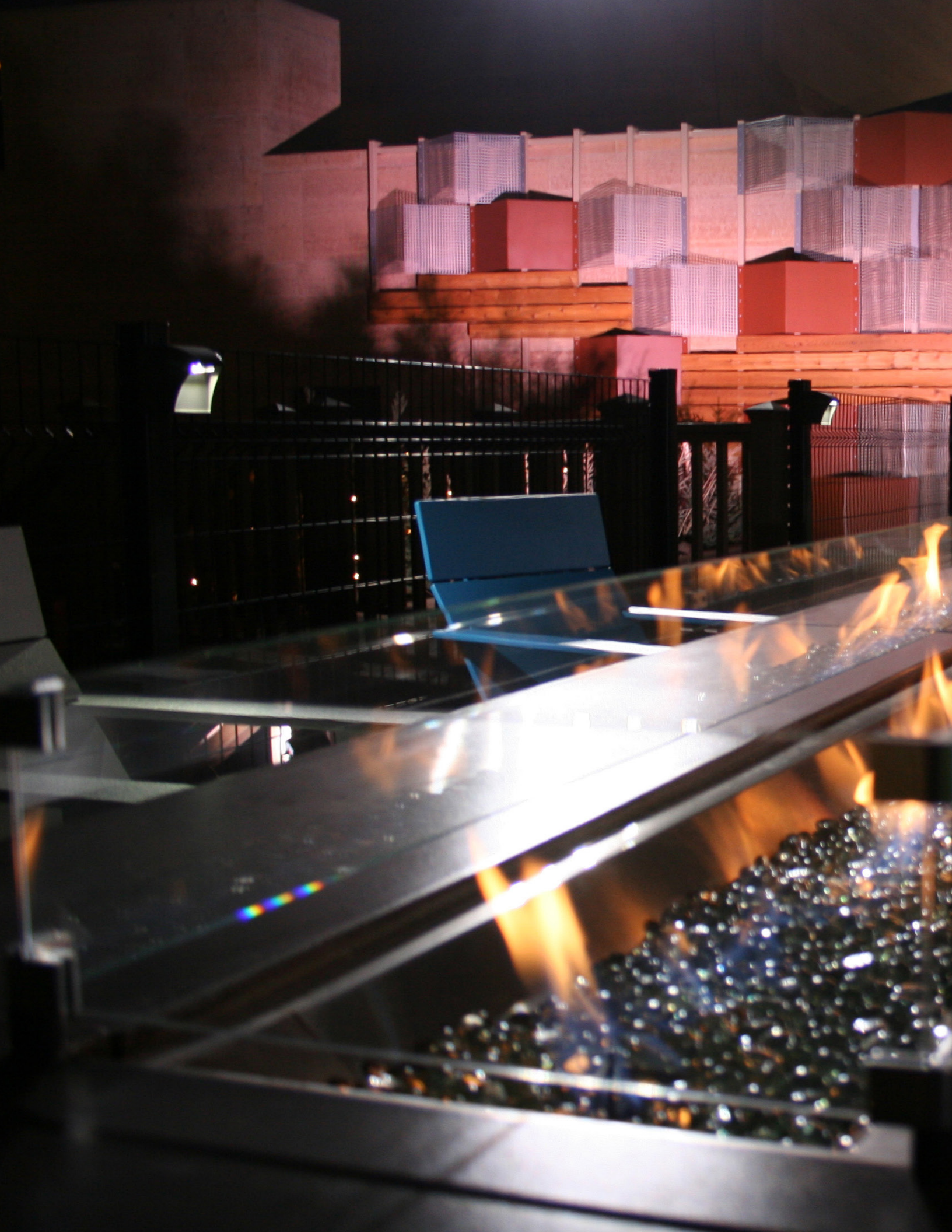
| BURNER NAME                             | MODEL #       | OPTIONAL PLATE | DEPTH        | WIDTH        | LENGTH        | WEIGHT          | MAX BTU's LP/NG        | FIRE MEDIA*** |
|---|---------------|----------------|--------------|--------------|---------------|-----------------|------------------------|---------------|
| <b>7x19" Crystal Fire® Plus Insert*</b> | <b>BI719</b>  |                | <b>4.29"</b> | <b>4.42"</b> | <b>19.63"</b> | <b>5.7 lbs</b>  | <b>55,000/55,000</b>   | <b>10 lbs</b> |
| 12x24" Burner Plate**                   |               | BP1224         | 4.29"        | 12"          | 24"           | 9.3 lbs         | 55,000/55,000          | 15 lbs        |
| 12x36" Burner Plate**                   |               | BP1236         | 4.29"        | 12"          | 36"           | 11.8 lbs        | 55,000/55,000          | 20 lbs        |
| <b>7x37" Crystal Fire® Plus Insert*</b> | <b>BI737</b>  |                | <b>4.27"</b> | <b>7.42"</b> | <b>36.52"</b> | <b>9.4 lbs</b>  | <b>80,000/80,000</b>   | <b>15 lbs</b> |
| 12x42" Burner Plate**                   |               | BP1242         | 4.27"        | 12"          | 42"           | 15.6 lbs        | 80,000/80,000          | 20 lbs        |
| 12x60" Burner Plate**                   |               | BP1260         | 4.24"        | 12"          | 60"           | 19.3 lbs        | 80,000/80,000          | 25 lbs        |
| <b>7x57" Crystal Fire® Plus Insert</b>  | <b>BI757</b>  |                | <b>4.15"</b> | <b>7.42"</b> | <b>57"</b>    | <b>11.6 lbs</b> | <b>100,000/100,000</b> | <b>20 lbs</b> |
| 12x64" Burner Plate**                   |               | BP1264         | 4.15"        | 12"          | 64"           | 20.9 lbs        | 100,000/100,000        | 25 lbs        |
| <b>7x66" Crystal Fire® Plus Insert</b>  | <b>BI766</b>  |                | <b>4.25"</b> | <b>7.42"</b> | <b>66"</b>    | <b>14.3 lbs</b> | <b>125,000/125,000</b> | <b>25 lbs</b> |
| 12x72" Burner Plate**                   |               | BP1272         | 4.25"        | 12"          | 72"           | 25.7 lbs        | 125,000/125,000        | 30 lbs        |
| <b>7x78" Crystal Fire® Plus Insert</b>  | <b>BI778</b>  |                | <b>4.25"</b> | <b>7.42"</b> | <b>78"</b>    | <b>16.5 lbs</b> | <b>140,000/140,000</b> | <b>30 lbs</b> |
| 12x84" Burner Plate**                   |               | BP1284         | 4.25"        | 12"          | 84"           | 29.8 lbs        | 140,000/140,000        | 30 lbs        |
| <b>7x90" Crystal Fire® Plus Insert</b>  | <b>BI790</b>  |                | <b>4.25"</b> | <b>7.42"</b> | <b>90"</b>    | <b>18.8 lbs</b> | <b>165,000/165,000</b> | <b>30 lbs</b> |
| 12x96" Burner Plate**                   |               | BP1296         | 4.25"        | 12"          | 96"           | 33.9 lbs        | 165,000/165,000        | 35 lbs        |
| <b>7x102" Crystal Fire® Plus Insert</b> | <b>BI7102</b> |                | <b>4.25"</b> | <b>7.42"</b> | <b>102"</b>   | <b>21 lbs</b>   | <b>180,000/180,000</b> | <b>35 lbs</b> |
| 12x108" Burner Plate**                  |               | BP12108        | 4.25"        | 12"          | 108"          | 38 lbs          | 180,000/180,000        | 40 lbs        |
| <b>7x114" Crystal Fire® Plus Insert</b> | <b>BI7114</b> |                | <b>4.25"</b> | <b>7.42"</b> | <b>114"</b>   | <b>23.2 lbs</b> | <b>200,000/200,000</b> | <b>40 lbs</b> |
| 12x120" Burner Plate**                  |               | BP12120        | 4.25"        | 12"          | 120"          | 42.2 lbs        | 200,000/200,000        | 45 lbs        |

\*Higher BTU output orifice available. Contact OGC for information. A Glass Wind Guard must be used if higher BTU output orifice is installed with any OGC fire table.

\*\*Specifications for Burner Plate include the coordinating Burner Insert installed.

\*\*\*Depending on your application, you may need more or less fire media than the suggested amount.









THE OUTDOOR  
GREATROOM  
COMPANY

# CONTRACT

## CONTRACT & COMMERCIAL

|                    |    |
|--------------------|----|
| CRYSTAL FIRE® PLUS | 34 |
| CONTROLS           | 35 |
| SPECIFICATIONS     | 36 |
| COMMERCIAL TABLES  | 38 |





THE OUTDOOR  
GREATROOM  
COMPANY

CONTRACT

## contract & commercial

Any Outdoor GreatRoom Company™ product can be outfitted for contract, trade, and commercial spaces. We offer Crystal Fire® Plus Burners, 40+ ready-to-light fire pits and fire tables, plus full custom capabilities. Perfect for multi-family residences, hotels, sports, and concert venues, restaurants, and more. Custom options available. Contact [sales@outdoorrooms.com](mailto:sales@outdoorrooms.com), visit [OutdoorRooms.com/Contract](http://OutdoorRooms.com/Contract), or call 1.866.303.4028 to get started.

## Crystal Fire<sup>PLUS</sup> commercial burners



Commercial Crystal Fire® Plus burners and burner inserts are made from commercial grade #304 stainless steel and include a Direct Spark Ignition (DSI) System and control panel, an emergency stop button, and clear tempered fire glass gems. All Crystal Fire® Plus burners and burner inserts are UL and ULC Listed to ANSI Z21.97-2017/CSA 2.41-2017 standard.

Crystal Fire® Plus burners and burner inserts have a higher BTU capacity and upgraded burner construction for a brighter, taller, fuller, more yellow flame. The pan burner design produces a more natural looking flame. Raised and extruded burner ports protect the burner from rain or water. Water safely drains from the perimeter of the pitched burner surface.



- Direct Spark Ignition System with On/Off operation
- Flame can be automatically ignited with a single control either on the fire pit or nearby surface
- If flame is not sensed for any reason, the flow of gas to the burner will safely shut down
- DSI System comes set up to run on 110V, battery operation optional (CF-DSI-BP)
- Not field-convertible - Order specific for liquid propane or natural gas
- Includes Red Emergency Stop Button
- Optional remote sold separately (CF-DSI-R)
- Wall switch operation optional, must order Switch Bypass separately (CF-DSI-SB)
- Optional timer and wall switch sold separately
- Glass wind guard highly recommended to enhance flame and protect surrounding finishes
- 3 finishes: Stainless Steel, Dora Brown, & Black
- Ventilation required for field-installed burner enclosures
- Installation should be completed by a certified gas technician
- Patent Pending
- UL & ULC Listed
- Limited lifetime warranty on Stainless Steel
- One year warranty on ignition controls



# BEFORE SELECTING YOUR BURNER

## INSTALLATION SITE

Is your burner going into an already built surround or will you need a fire table or ready-to-finish base for your burner?

## HOW WILL YOUR BURNER BE MOUNTED?

Whether you are looking for a top mount or undermount application, we have the burner for you. Choose from Drop-In or Burner Inserts.

## INSTALLATION OPENING

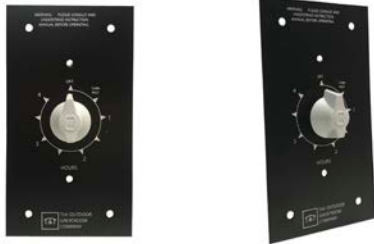
What size and shape is your installation opening? Choose from our stocked burners or burner inserts plus burner plate to fit your space. If a stocked option is not available, ask us about custom options.

## OPERATION & CONTROLS

Do you want controls available for public use or in a more secure setting? Choose controls to meet the requirements for your application.

## CONTROLS ON APPLIANCE

### 4 HOUR TIMER



4HRTC

- Four hour timer
- Timer replaces controls for DSI System
- Timer is built into control panel
- Includes Switch Bypass (CF-DSI-SB)
- Black powder-coated panel with white knob
- 6.375" H x 3.5" W

## CONTROLS AWAY FROM APPLIANCE

### EMERGENCY STOP



CFP-ESO-CP

- Emergency Stop Button
- Included with the Direct Spark Ignition System
- Includes Switch Bypass (CF-DSI-SB)
- Black powder-coated panel with red plastic Emergency Stop Button
- 4.5" H x 2.625" W

### ON/OFF WALL SWITCH AND EMERGENCY STOP



WSES-CP

- On/Off Wall Switch with punch out for Emergency Stop Button (button included with DSI package)
- Replaces controls for DSI System
- For applications away from the appliance (i.e. wall)
- Includes Switch Bypass (CF-DSI-SB)
- Black powder-coated panel with black switch
- 4.5" H x 4.625" W

### TIMER AND EMERGENCY STOP



4HRTES-CP

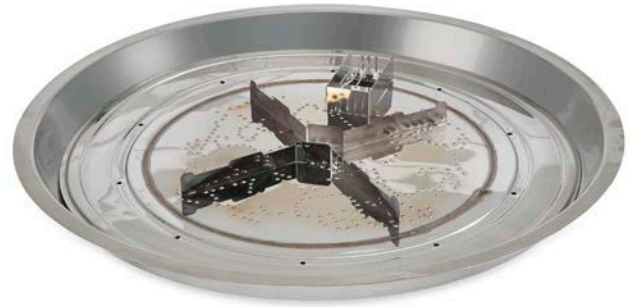
- Four-hour Timer with punch out for Emergency Stop Button (button included with DSI package)
- Replaces controls for DSI System
- Includes Switch Bypass (CF-DSI-SB)
- For applications away from the appliance (i.e. wall)
- Black powder-coated panel with white timer knob
- 4.5" H x 4.625" W



# commercial burner specifications



CFP2424DSILP  
CFP2424DSING



CFP30DSILP  
CFP30DSING



CFP1242DSILP  
CFP1242DSING



CFP1264DSILP  
CFP1264DSING

## ROUND

| BURNER NAME            | MODEL #                  | DEPTH  | DIAMETER | WEIGHT   | BTU's LP/NG     | FIRE MEDIA** |
|------------------------|--------------------------|--------|----------|----------|-----------------|--------------|
| 20" Crystal Fire® Plus | CFP20DSILP or CFP20DSING | 11.71" | 21.06"   | 17.9 lbs | 70,000/77,500   | 10 lbs       |
| 30" Crystal Fire® Plus | CFP30DSILP or CFP30DSING | 11.2"  | 32"      | 25.5 lbs | 101,000/100,000 | 25 lbs       |

## SQUARE

| BURNER NAME               | MODEL #                      | DEPTH  | WIDTH | LENGTH | WEIGHT   | BTU's LP/NG   | FIRE MEDIA** |
|---------------------------|------------------------------|--------|-------|--------|----------|---------------|--------------|
| 24x24" Crystal Fire® Plus | CFP2424DSILP or CFP2424DSING | 14.71" | 25.6" | 25.6"  | 23.3 lbs | 70,000/77,500 | 20 lbs       |

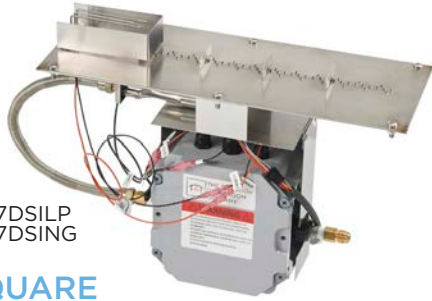
## LINEAR

| BURNER NAME                | MODEL #                        | DEPTH  | WIDTH | LENGTH | WEIGHT   | BTU's LP/NG     | FIRE MEDIA** |
|----------------------------|--------------------------------|--------|-------|--------|----------|-----------------|--------------|
| 12x24" Crystal Fire® Plus  | CFP1224DSILP or CFP1224DSING   | 14.39" | 13.5" | 25.63" | 17 lbs   | 75,000/75,000   | 10 lbs       |
| 12x42" Crystal Fire® Plus  | CFP1242DSILP or CFP1242DSING   | 14.38" | 13.5" | 42.52" | 21.5 lbs | 100,000/100,000 | 15 lbs       |
| 12x64" Crystal Fire® Plus  | CFP1264DSILP or CFP1264DSING   | 14.38" | 13.5" | 64.3"  | 26.7 lbs | 100,000/100,000 | 20 lbs       |
| 12x72" Crystal Fire® Plus  | CFP1272DSILP or CFP1272DSING   | 14.38" | 13.5" | 72"    | 29.7 lbs | 100,000/100,000 | 25 lbs       |
| 12x84" Crystal Fire® Plus  | CFP1284DSILP or CFP1284DSING   | 14.38" | 13.5" | 84"    | 33.1 lbs | 120,000/120,000 | 25 lbs       |
| 12x96" Crystal Fire® Plus  | CFP1296DSILP or CFP1296DSING   | 14.38" | 13.5" | 96"    | 36.5 lbs | 130,000/130,000 | 30 lbs       |
| 12x108" Crystal Fire® Plus | CFP12108DSILP or CFP12108DSING | 14.38" | 13.5" | 108"   | 39.9 lbs | 140,000/140,000 | 35 lbs       |
| 12x120" Crystal Fire® Plus | CFP12120DSILP or CFP12120DSING | 14.38" | 13.5" | 120"   | 43.3 lbs | 140,000/140,000 | 40 lbs       |
| 56" Wave                   | WV-56-LP or WV-56-NG           | 13.88" | 8"    | 55.63" | 14 lbs   | 150,000/150,000 | 15 lbs       |

\*\*Depending on your application, you may need more or less fire media than the suggested amount



# commercial insert & plate specifications



BI737DSILP  
BI737DSING



BP1236

## ROUND & SQUARE

| BURNER NAME                                | MODEL #                       | OPTIONAL PLATE | DEPTH         | WIDTH         | LENGTH        | WEIGHT          | MAX BTU's LP/NG        | FIRE MEDIA*** |
|--|-------------------------------|----------------|---------------|---------------|---------------|-----------------|------------------------|---------------|
| <b>16" Round Crystal Fire® Plus Insert</b> | <b>BI16DSILP or BI16DSING</b> |                | <b>15.3"</b>  | <b>15.87"</b> | <b>15.87"</b> | <b>12.3 lbs</b> | <b>70,000/77,500</b>   | <b>10 lbs</b> |
| <b>Round Plates</b>                        |                               |                |               |               |               |                 |                        |               |
| 20" Round Burner Plate*                    |                               | BP20RD         | 15.3"         | 20"           | 20"           | 17.2 lbs        | 70,000/77,500          | 10 lbs        |
| 24" Round Burner Plate*                    |                               | BP24RD         | 15.3"         | 24"           | 24"           | 21.1 lbs        | 70,000/77,500          | 15 lbs        |
| <b>Square Plates</b>                       |                               |                |               |               |               |                 |                        |               |
| 24" Square Burner Plate*                   |                               | BP24S          | 15.3"         | 24"           | 24"           | 17.3 lbs        | 70,000/77,500          | 25 lbs        |
| 30" Square Burner Plate*                   |                               | BP30S          | 15.3"         | 30"           | 30"           | 20.3 lbs        | 70,000/77,500          | 30 lbs        |
| <b>28" Round Crystal Fire® Plus Insert</b> | <b>BI28DSILP or BI28DSING</b> |                | <b>14.61"</b> | <b>28"</b>    | <b>28"</b>    | <b>25.9 lbs</b> | <b>101,000/100,000</b> | <b>25 lbs</b> |
| <b>Round Plates</b>                        |                               |                |               |               |               |                 |                        |               |
| 30" Round Burner Plate*                    |                               | BP30RD         | 14.61"        | 30"           | 30"           | 28.4 lbs        | 101,000/100,000        | 25 lbs        |
| 36" Round Burner Plate*                    |                               | BP36RD         | 14.61"        | 36"           | 36"           | 37.3 lbs        | 101,000/100,000        | 30 lbs        |
| 42" Round Burner Plate*                    |                               | BP42RD         | 14.61"        | 42"           | 42"           | 47.8 lbs        | 101,000/100,000        | 35 lbs        |
| 48" Round Burner Plate*                    |                               | BP48RD         | 14.61"        | 48"           | 48"           | 59.9 lbs        | 101,000/100,000        | 40 lbs        |
| <b>Square Plates</b>                       |                               |                |               |               |               |                 |                        |               |
| 36" Square Burner Plate*                   |                               | BP36S          | 14.61"        | 36"           | 36"           | 34.9 lbs        | 101,000/100,000        | 35 lbs        |
| 42" Square Burner Plate*                   |                               | BP42S          | 14.61"        | 42"           | 42"           | 36.9 lbs        | 101,000/100,000        | 40 lbs        |

## LINEAR

| BURNER NAME                             | MODEL #                           | OPTIONAL PLATE | DEPTH         | WIDTH        | LENGTH        | WEIGHT          | BTU's LP/NG            | FIRE MEDIA**  |
|---|-----------------------------------|----------------|---------------|--------------|---------------|-----------------|------------------------|---------------|
| <b>7x19" Crystal Fire® Plus Insert</b>  | <b>BI719DSILP or BI719DSING</b>   |                | <b>14.24"</b> | <b>7.42"</b> | <b>19.63"</b> | <b>13.1 lbs</b> | <b>75,000/75,000</b>   | <b>10 lbs</b> |
| 12x24" Burner Plate*                    |                                   | BP1224         | 14.24"        | 12"          | 24"           | 16.7 lbs        | 75,000/75,000          | 15 lbs        |
| 12x36" Burner Plate*                    |                                   | BP1236         | 14.24"        | 12"          | 36"           | 19.2 lbs        | 75,000/75,000          | 20 lbs        |
| <b>7x37" Crystal Fire® Plus Insert</b>  | <b>BI737DSILP or BI737DSING</b>   |                | <b>14.24"</b> | <b>7.42"</b> | <b>36.52"</b> | <b>16.8 lbs</b> | <b>100,000/100,000</b> | <b>15 lbs</b> |
| 12x42" Burner Plate*                    |                                   | BP1242         | 14.24"        | 12"          | 42"           | 23 lbs          | 100,000/100,000        | 20 lbs        |
| 12x60" Burner Plate*                    |                                   | BP1260         | 14.24"        | 12"          | 60"           | 26.7 lbs        | 100,000/100,000        | 25 lbs        |
| <b>7x57" Crystal Fire® Plus Insert</b>  | <b>BI757DSILP or BI757DSING</b>   |                | <b>14.39"</b> | <b>7.42"</b> | <b>57"</b>    | <b>19 lbs</b>   | <b>100,000/100,000</b> | <b>20 lbs</b> |
| 12x64" Burner Plate*                    |                                   | BP1264         | 14.39"        | 12"          | 64"           | 28.3 lbs        | 100,000/100,000        | 25 lbs        |
| <b>7x66" Crystal Fire® Plus Insert</b>  | <b>BI766DSILP or BI766DSING</b>   |                | <b>14.26"</b> | <b>7.42"</b> | <b>66"</b>    | <b>21.7 lbs</b> | <b>100,000/100,000</b> | <b>25 lbs</b> |
| 12x72" Burner Plate*                    |                                   | BP1272         | 14.26"        | 12"          | 72"           | 33.1 lbs        | 100,000/100,000        | 30 lbs        |
| <b>7x78" Crystal Fire® Plus Insert</b>  | <b>BI778DSILP or BI778DSING</b>   |                | <b>14.26"</b> | <b>7.42"</b> | <b>78"</b>    | <b>23.9 lbs</b> | <b>120,000/120,000</b> | <b>30 lbs</b> |
| 12x84" Burner Plate*                    |                                   | BP1284         | 14.26"        | 12"          | 84"           | 37.2 lbs        | 120,000/120,000        | 30 lbs        |
| <b>7x90" Crystal Fire® Plus Insert</b>  | <b>BI790DSILP or BI790DSING</b>   |                | <b>14.26"</b> | <b>7.42"</b> | <b>90"</b>    | <b>26.2 lbs</b> | <b>130,000/130,000</b> | <b>30 lbs</b> |
| 12x96" Burner Plate*                    |                                   | BP1296         | 14.26"        | 12"          | 96"           | 41.3 lbs        | 130,000/130,000        | 35 lbs        |
| <b>7x102" Crystal Fire® Plus Insert</b> | <b>BI7102DSILP or BI7102DSING</b> |                | <b>14.26"</b> | <b>7.42"</b> | <b>102"</b>   | <b>28.4 lbs</b> | <b>140,000/140,000</b> | <b>35 lbs</b> |
| 12x108" Burner Plate*                   |                                   | BP12108        | 14.26"        | 12"          | 108"          | 45.4 lbs        | 140,000/140,000        | 40 lbs        |
| <b>7x114" Crystal Fire® Plus Insert</b> | <b>BI7114DSILP or BI7114DSING</b> |                | <b>14.26"</b> | <b>7.42"</b> | <b>114"</b>   | <b>30.6 lbs</b> | <b>140,000/140,000</b> | <b>40 lbs</b> |
| 12x120" Burner Plate*                   |                                   | BP12120        | 14.26"        | 12"          | 120"          | 49.6 lbs        | 140,000/140,000        | 45 lbs        |

\*Specifications for Burner Plate include the coordinating Burner Insert installed.

\*\*Depending on your application, you may need more or less fire media than the suggested amount

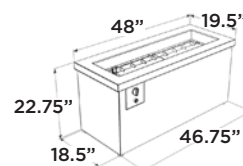


# ready-to-light fire tables

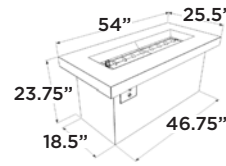
## COMMERCIAL KEY LARGO



- Includes: DSI System with On/Off control panel, Grey glass burner cover, emergency stop button, glass wind guard, and clear glass fire gems
- Stainless Steel trim or Polished Midnight Mist Supercast™ with Black Fleck stucco base
- 12x42" Crystal Fire® Plus commercial burner
- Optional CVR5020 protective cover (for KL1242SDSILP/KL1242SDSING) or CVR5427 protective cover (KL1242MDSILP/KL1242MDSING)
- Order for Liquid Propane or Natural Gas
- UL & ULC Listed
- Made in USA



KL1242SDSILP  
KL1242SDSING

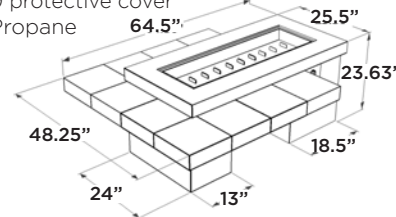


KL1242MDSILP  
KL1242MDSING

## COMMERCIAL UPTOWN



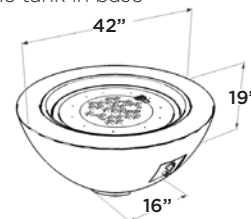
- Includes: DSI System with On/Off control panel, Grey glass burner cover, emergency stop button, glass wind guard, and clear glass fire gems
- Absolute Black granite tile with Polished Midnight Mist Supercast™ on Midnight Storm stucco base or Polished Mocha Supercast™ with Continental Slate porcelain tile on Stony Creek stucco base
- 12x42" Crystal Fire® Plus commercial burner
- Optional CVR6549 protective cover
- Order for Liquid Propane or Natural Gas
- UL & ULC Listed
- Made in USA



## COMMERCIAL COVE 30



- Includes: DSI System with On/Off control panel, Grey glass burner cover, emergency stop button, glass wind guard, and clear glass fire gems
- Natural Grey Supercast™ bowl with 30" round Crystal Fire® Plus commercial burner
- Contemporary Natural Grey concrete finish is unique to each fire bowl, common attributes include edge wear and color density variation
- Optional CVR42 Protective Cover
- Order for Liquid Propane or Natural Gas
- Does not fit 20 lb. propane tank in base
- UL & ULC Listed
- Made in USA



ANY OGC FIRE TABLE CAN BE ORDERED FOR COMMERCIAL AND CONTRACT SPACES





Uptown Fire Pit Table at Hampton Inn Hotel  
Williamsport, PA, USA

## ONE-STOP-SHOP

Let The Outdoor GreatRoom Company™ simplify the process of outfitting your commercial or contract space with safe, commercially-rated gas fire products, handcrafted to stand the test of time. We offer ready-to-light fire tables, Crystal Fire® Plus burners, and full custom products for any commercial or contract space.

## SAFETY TESTED

All fire tables and Crystal Fire® Plus Burners are UL and ULC Listed to ANSI Z21.97-2017/CSA 2.41-2017 standard. They undergo rigorous wind, rain, corrosion, component, and construction testing to exceed the required standards.

## COMMERCIAL-GRADE

All products are made of high-quality commercial-grade materials. Built to withstand the elements and frequent use. Additional safety features are standard for commercial applications to ensure a safe user experience.

## BUILT TO LAST

Crystal Fire® Plus Burners are the most reliable and best gas fire burners on the market. We stand behind the #304 stainless steel construction with a limited lifetime warranty. Our Supercast™ Glass Fiber Reinforced Concrete is half the weight of traditional concrete and 10 times the strength. All materials used are rated for outdoor use.









READY-TO-FINISH







# ready-to-finish

Made in USA ready-to-finish fireplace and fire pit enclosures made from Hardiebacker® fiber cement board and commercial-grade G90 marine-grade galvanized steel framing. These enclosures can be finished on-site to match your landscaping, hardscaping, or exterior design with granite, stone, tile, Supercast™ Concrete tops, hardscape block, and more. For commercial and residential applications.

## ready-to-finish enclosures

### FIRE PIT BASES

- G90 marine-grade galvanized steel framing, Hardiebacker® fiber cement board
- Time-saver for installation
- Includes 2 vents pre-installed and a cut-out for a control panel (controls sold separately).
- Most do not include access door. Select models will fit Supercast™ top (not included) and include access door for 20 lb LP tank (indicated in chart to right.)
- Crystal Fire® Plus burner sold separately
- Recommended for hardpiped natural gas or liquid propane installation
- Ships in one piece with drop-ship option available
- Custom options available - contact to order
- Custom enclosures for use with Direct Spark Ignition (electronic ignition) must be at least 13" tall for use with round burners, and 16" tall for use with linear or square burners
- Ready-to-finish side table LP tank cover also available
- Made in USA



RF60C



RF47L

### FIREPLACES

- G90 marine-grade galvanized steel framing, Hardiebacker® fiber cement board
- Fireplace opening enclosure is lined with #304 stainless steel
- Time-saver for installation
- Includes vents pre-installed, a cut-out for a control panel, and glass wind guard panels
- Includes UL & ULC listed Crystal Fire® Plus Burner Insert & ignition controls
- Tempered fire glass media or lava rock sold separately
- Additional control options sold separately
- 40" and 60" models include access door for LP
- Recommended for hardpiped natural gas or liquid propane installation
- Enclosures 8' or less ship in one piece with drop-ship option available
- Custom options available - contact to order
- Made in USA



RSTL-40DLP



# ready-to-finish fire pit base enclosures

| NAME                                | MODEL # | FITS BURNER #** | HEIGHT | LENGTH | DEPTH | WEIGHT  |
|-------------------------------------|---------|-----------------|--------|--------|-------|---------|
| 36" Round Ready-to-Finish Base*     | RF36C   | CFP20           | 21"    | 36"    | 36"   | 70 lbs  |
| 48" Round Ready-to-Finish Base      | RF48C   | CFP20           | 18"    | 48"    | 48"   | 82 lbs  |
| 60" Round Ready-to-Finish Base      | RF60C   | CFP30           | 18"    | 60"    | 60"   | 109 lbs |
| 72" Round Ready-to-Finish Base      | RF72C   | CFP30           | 18"    | 72"    | 72"   | 142 lbs |
| 26x26" Square Ready-to-Finish Base* | RF26S   | CF-2424-DIY     | 22"    | 26"    | 26"   | 35 lbs  |
| 48x48" Square Ready-to-Finish Base  | RF48S   | CF-2424-DIY     | 18"    | 48"    | 48"   | 110 lbs |
| 60x60" Square Ready-to-Finish Base  | RF60S   | CF-2424-DIY     | 18"    | 60"    | 60"   | 151 lbs |
| 72x72" Square Ready-to-Finish Base  | RF72S   | CF-2424-DIY     | 18"    | 72"    | 72"   | 200 lbs |
| 26x32" Linear Ready-to-Finish Base* | RF32L   | CFP1224         | 20.75" | 32.5"  | 26"   | 38 lbs  |
| 18x47" Linear Ready-to-Finish Base* | RF47L   | CFP1242         | 22.75" | 46.75" | 18.5" | 70 lbs  |
| 48x36" Linear Ready-to-Finish Base  | RF48L   | CFP1242         | 18"    | 48"    | 36"   | 100 lbs |
| 60x36" Linear Ready-to-Finish Base  | RF60L   | CFP1242         | 18"    | 60"    | 36"   | 113 lbs |
| 72x36" Linear Ready-to-Finish Base  | RF72L   | CFP1264         | 18"    | 72"    | 36"   | 126 lbs |
| 84x36" Linear Ready-to-Finish Base  | RF84L   | CFP1272         | 18"    | 84"    | 36"   | 143 lbs |
| 96x36" Linear Ready-to-Finish Base  | RF96L   | CFP1284         | 18"    | 96"    | 36"   | 160 lbs |
| 108x36" Linear Ready-to-Finish Base | RF108L  | CFP1296         | 18"    | 108"   | 36"   | 175 lbs |
| 120x36" Linear Ready-to-Finish Base | RF120L  | CFP12108        | 18"    | 120"   | 36"   | 200 lbs |
| 132x36" Linear Ready-to-Finish Base | RF132L  | CFP12120        | 18"    | 132"   | 36"   | 225 lbs |

\*Fits 20 lb. LP tank in base, use with Supercast™ table top

\*\*Burner and controls sold separately

# ready-to-finish fireplace enclosures

## SINGLE-SIDED OPENING

| NAME                            | MODEL #                    | INCLUDES BURNER # | HEIGHT | WIDTH | DEPTH | VIEWING AREA | WEIGHT  |
|---------------------------------|----------------------------|-------------------|--------|-------|-------|--------------|---------|
| <b>Manual Ignition</b>          |                            |                   |        |       |       |              |         |
| 40" Ready-to-Finish Linear      | RLFP-40DNG or RLFP-40DLP   | BI737             | 48"    | 72"   | 18"   | 40"W x 20"H  | 218 lbs |
| 40" Ready-to-Finish Tall Linear | RLFP-40TDNG or RLFP-40TDLP | BI737             | 48"    | 72"   | 18"   | 40"W x 20"H  | 228 lbs |
| <b>Direct Spark Ignition</b>    |                            |                   |        |       |       |              |         |
| 40" Ready-to-Finish Linear      | RLFP-40DNG or RLFP-40DLP   | BI737             | 48"    | 72"   | 18"   | 40"W x 20"H  | 225 lbs |
| 40" Ready-to-Finish Tall Linear | RLFP-40TDNG or RLFP-40TDLP | BI737             | 60"    | 72"   | 18"   | 40"W x 20 H  | 235 lbs |
| 60" Ready-to-Finish Linear      | RLFP-60DNG or RLFP-60DLP   | BI757             | 48"    | 92"   | 18"   | 60"W x 20"H  | 242 lbs |
| 72" Ready-to-Finish Linear      | RLFP-72DNG or RLFP-72DLP   | BI766             | 48"    | 108"  | 18"   | 72"W x 20"H  | 267 lbs |
| 84" Ready-to-Finish Linear      | RLFP-84DNG or RLFP-84DLP   | BI778             | 48"    | 120"  | 18"   | 84"W x 20"H  | 309 lbs |
| 96" Ready-to-Finish Linear      | RLFP-96DNG or RLFP-96DLP   | BI790             | 48"    | 132"  | 18"   | 96"W x 20"H  | 345 lbs |
| 108" Ready-to-Finish Linear     | RLFP-108DNG or RLFP-108DLP | BI7102            | 48"    | 144"  | 18"   | 108"W x 20"H | 395 lbs |
| 120" Ready-to-Finish Linear     | RLFP-120DNG or RLFP-120DLP | BI7114            | 48"    | 156"  | 18"   | 120"W x 20"H | 428 lbs |

## SEE-THROUGH OPENING

| NAME                                 | MODEL #                    | INCLUDES BURNER # | HEIGHT | WIDTH | DEPTH | VIEWING AREA | WEIGHT  |
|--------------------------------------|----------------------------|-------------------|--------|-------|-------|--------------|---------|
| <b>Manual Ignition</b>               |                            |                   |        |       |       |              |         |
| 40" Ready-to-Finish See-Through      | RSTL-40MNG or RSTL-40MLP   | BI737             | 48"    | 72"   | 18"   | 10"W x 20"H  | 213 lbs |
| 40" Ready-to-Finish Tall See-Through | RSTL-40TMNG or RSTL-40TMLP | BI737             | 60"    | 72"   | 18"   | 10"W x 20"H  | 223 lbs |
| <b>Direct Spark Ignition</b>         |                            |                   |        |       |       |              |         |
| 40" Ready-to-Finish See-Through      | RSTL-40DNG or RSTL-40DLP   | BI737             | 48"    | 72"   | 18"   | 40"W x 20"H  | 220 lbs |
| 40" Ready-to-Finish Tall See-Through | RSTL-40TDNG or RSTL-40TDLP | BI737             | 60"    | 72"   | 18"   | 40"W x 20 H  | 230 lbs |
| 60" Ready-to-Finish See-Through      | RSTL-60DNG or RSTL-60DLP   | BI757             | 48"    | 92"   | 18"   | 60"W x 20"H  | 237 lbs |
| 72" Ready-to-Finish See-Through      | RSTL-72DNG or RSTL-72DLP   | BI766             | 48"    | 108"  | 18"   | 72"W x 20"H  | 262 lbs |
| 84" Ready-to-Finish See-Through      | RSTL-84DNG or RSTL-84DLP   | BI778             | 48"    | 120"  | 18"   | 84"W x 20"H  | 304 lbs |
| 96" Ready-to-Finish See-Through      | RSTL-96DNG or RSTL-96DLP   | BI790             | 48"    | 132"  | 18"   | 96"W x 20"H  | 340 lbs |
| 108" Ready-to-Finish See-Through     | RSTL-108DNG or RSTL-108DLP | BI7102            | 48"    | 144"  | 18"   | 108"W x 20"H | 390 lbs |
| 120" Ready-to-Finish See-Through     | RSTL-120DNG or RSTL-120DLP | BI7114            | 48"    | 156"  | 18"   | 120"W x 20"H | 423 lbs |









# CUSTOM FIRE







# custom fire

Create your own custom fire pit table, fire feature, or Crystal Fire® Plus Burner built to order. Perfect for residential, commercial, or multi-family properties. Visit [outdoorrooms.com/custom](https://www.outdoorrooms.com/custom) or call 1.866.303.4028 to get started.



## CUSTOM BURNERS

- Commercial-grade #304 Stainless Steel construction standard and custom colors available
- Size and shape to fit your design
- Includes Clear Tempered Fire Glass Gems, push button sparker, LP or NG orifice, necessary metal flex hoses, complete gas manifold for ease of installation
- Additional controls, colored fire gems, custom glass guards, or burner covers sold separately
- Single control linear burners up to 10 ft. long
- Burners can be made longer than 10 ft. with multiple controls.
- UL & ULC Listed
- Made in USA

## CUSTOM FIRE PIT TABLES

- Customize many of our standard fire pit tables or create your own unique look
- Common materials used are stucco, Supercast™, tile, and metal, but more options are available
- Size and shape to fit your design
- Custom fire tables for use with Direct Spark Ignition must be at least 13" tall for use with round burners, and 16" tall for use with linear or square burners
- Other upgrades include: LED underlighting, personalized engraved Supercast™, custom glass guards, custom burner covers, and more
- UL & ULC Listed
- Made in USA



# custom finishes

We offer several standard finishes or can deliver a complete, ready-to-finish system that can be finished on-site with your own materials. Our materials and construction methods are designed to last. For a custom material, tile, or countertop, consult our sales staff. Other materials may include solid granite or granite tile, wood accents, stone, metal, etc. Actual finish colors may vary.

## SUPERCAST™

## STUCCO



MOCHA



MARBLEIZED NOCHE



WHITE ONYX



NATURAL GREY



SERENGETI



MIDNIGHT STORM



NAPA VALLEY



POLISHED MIDNIGHT MIST



ANTIQUE TIMBER



WASHED CEDAR



MARBLEIZED MOCHA



RIDGE BROWN



STONY CREEK



VAN DYKE



POLISHED MOCHA



BLACK FLECK



FERROS

## ALL BURNERS CAN BE CUSTOM ORDERED IN TWO COLORS:

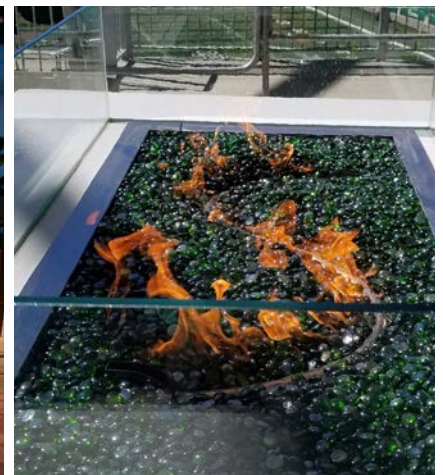
UL & ULC Crystal Fire® Plus Burners come standard in Stainless Steel with Clear Tempered Fire Glass Gems.



BLACK



DORA BROWN



GET INSPIRED AT [OUTDOORROOMS.COM/CUSTOM](http://OUTDOORROOMS.COM/CUSTOM)









# ACCESSORIES







# accessories

No fire pit table is complete without adding your own signature look. Easily customize your fire pit table with glass guards, fire glass, lava rock, burner covers, protective covers, and more!

## glass and fire media



Tempered fire glass lights up the fire pit table with an ember-like glow. Complete your gas fire pit table or fireplace with beautiful tempered fire glass or lava rock. Choose from many shapes, sizes, and colors to create a custom look— you can even mix and match!

- Tempered fire glass comes in packaging that is easy to store & display
- Clear Tempered Fire Glass Gems included with all fire pit tables & fireplaces
- Lava Rock & Tumbled Lava Rock
- Realistic looking Outdoor Ceramic Fiber Log Set



## protective covers



Protect your investment with protective covers from OGC! Great for storing items long term or for everyday use.

- Available for most fire pit tables, fireplaces, and 20 lb. LP tank
- Tan polyester fabric stays cool to the touch
- Tear resistant, rip-stop laminating
- Drawstring cord at bottom to secure to fire pit
- Polyester velvet interior protects finished surfaces and materials
- One way breathability: exterior is water resistant, but is one way breathable to let any interior moisture out



# glass wind guards



GLASS GUARD-20-R

Glass wind guards not only add a layer of protection between the flame, wind, little hands, pets, and debris, but also looks beautiful with the reflection of the dancing flame. Glass guards available to fit any standard Crystal Fire® Plus Burner.

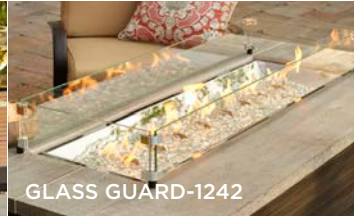
- Reduces wind effect and provides safety barrier for children & animals
- Tempered glass
- Stainless Steel hardware
- Easy to set up & clean
- Custom options available.



GLASS GUARD-1264



GLASS GUARD-1224



GLASS GUARD-1242



GLASS GUARD-2424

# folding wind guards



FWG-1224

The convenience of a glass wind guard and burner cover in one. Place the panes of glass up to protect the flame from the wind, and place them down to cover your burner when not in use. Available in two sizes: 12x24" (FWG-1224) and 12x42" (FWG-1242.) Patent Pending.

- Sits on top of burner trim
- Clear tempered glass
- Stainless Steel hardware
- Easy to set up & clean



# burner covers



Grey Glass Cover  
2424-GREY-GLASS-COVER

Turn your beautiful fire pit into a functional table by covering the burner with one of our stylish burner covers.

- Grey glass burner covers included with most fire pit tables, available for all burner sizes
- Round Granite tables come with lazy susan or add a lazy susan ring to any of our other round burner covers
- Select Supercast™ tables come with matching Supercast™ burner cover
- Custom options available



Round Black Glass Cover  
CFT-GLASS



Lazy Susan



1224-GREY-GLASS-COVER



Round Grey Glass Cover  
20-R-GGC









INTRIGUE  
OUTDOOR  
LANTERN







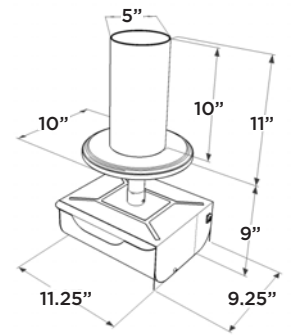
# intrigue collection

Create instant ambiance anywhere, any time with a UL listed spinning Venturi flame Intrigue Outdoor Lantern. Each model is clean-burning, easy to use, and fits any style space. Now you can have friends and family come together around a swirling, glowing fire.

## intrigue tabletop outdoor lantern



- Spinning Venturi flame designed to fit any table with an umbrella hole from 1.4" - 4"
- Easy to assemble
- UL & ULC Listed
- Dora Brown powder-coated finish
- Single glass cylinder
- Use with 1 lb. LP tank
- For outdoor use only
- Black rubber glass lid included
- Optional CVRINT protective cover



INT-EZ



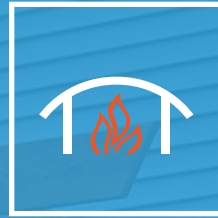


Something for every  
style and space.









# PERGOLAS







# pergolas

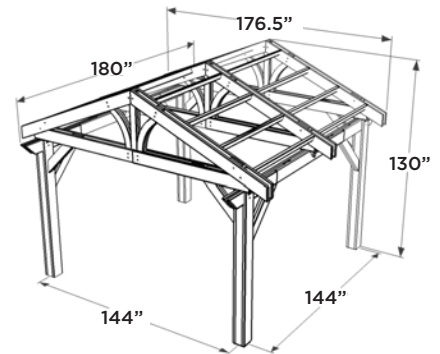
Pergolas can do so much more than bring all of your outdoor elements together, they bring families and friends together. They create an attractive focal point on your deck or patio - a cozy space that begs to be lived in.

## Lodge II



Lodge Pergola with optional Metal Roof  
LODGE II with optional ROOF-METAL

- Durable Douglas Fir
- Precision cut and ready to assemble
- Mocha water-based stained finish
- Hardware and anchor plates included
- Anchoring hardware not included
- Optional metal roof kit
- Made in USA

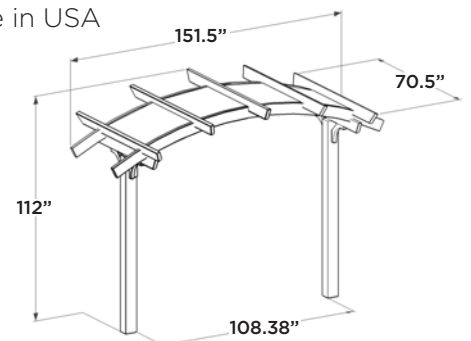


## sonoma arbor



Sonoma Arbor shown with Outdoor Kitchen  
SONOMATO-GP

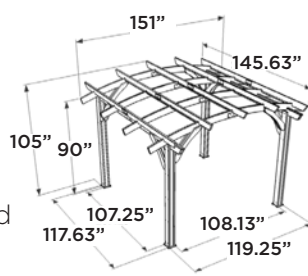
- Durable Douglas Fir
- Precision cut and ready to assemble
- Mocha water-based stained finish
- Works well with an outdoor kitchen
- Hardware and anchor plates included.
- Anchoring hardware not included
- Fits in small spaces
- Optional Lattice Roof
- Made in USA



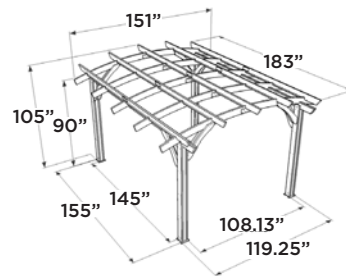




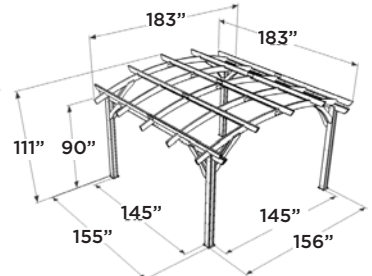
- Durable Douglas Fir
- Precision cut and ready to assemble
- Redwood oil-based or Mocha water-based stain finish
- Optional lattice shade roof, wood privacy wall, and stainless steel hardware available
- Hardware and anchor plates included
- Anchoring hardware not included
- 3 sizes- 12x12', 12x16', 16x16'
- Made in USA



Sonoma 12



Sonoma 1216



Sonoma 16

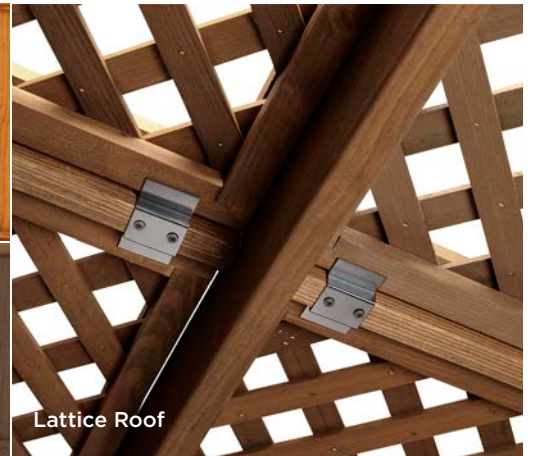


Wood Privacy Wall



Redwood Stain

Mocha Stain



Lattice Roof









# OUTDOOR FURNITURE







# o u t d o o r   f u r n i t u r e

Comfortable furniture makes any outdoor room complete. Our furniture is functional and beautiful. Add a fire pit table for ambiance. Now you have a comfortable gathering place to relax or entertain with family and friends.

## lyndale swivel rocking chair



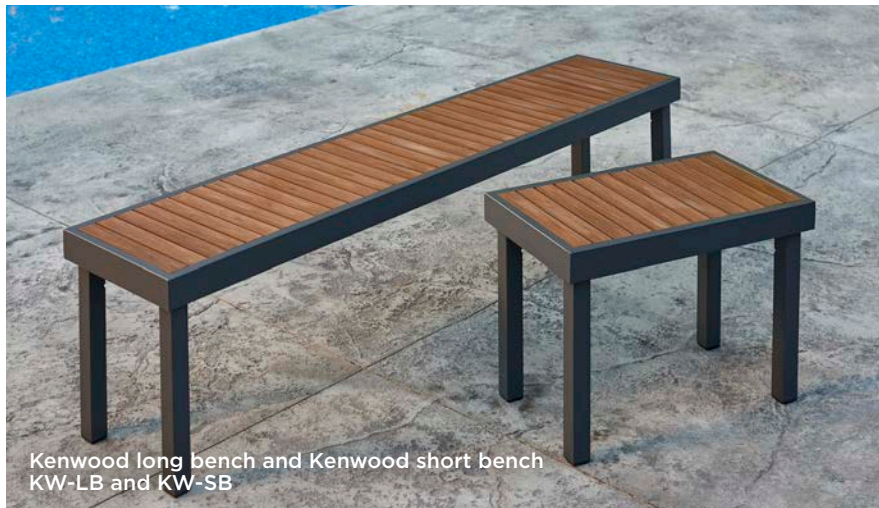
Cast Slate Lyndale Swivel Rocking Chair with optional Cove Pebble Lumbar Pillow LSR-CS with optional LSR-CPL

- Graphite Grey powder-coated aluminum frame
- Deep seating for added comfort
- Sunbrella® fabric in Cast Ash or Cast Slate with piping
- Optional Cove Pebble Lumbar pillow sold separately
- Velcro® strap on back cushion to secure to frame
- Sold in sets of 2



Lyndale Swivel Rocking Chair in Cast Ash with optional Cove Pebble Lumbar Pillow LSR-CA with optional LSR-CPL

## kenwood collection benches



Kenwood long bench and Kenwood short bench KW-LB and KW-SB

- Brown composite decking
- Graphite Grey powder-coated aluminum frame
- 14" depth; long bench is 68", short bench is 24"
- Pair with Kenwood Dining Fire Pit Table, short bench also pairs with Kenwood 1224 Chat Fire Table
- Benches sold individually



Benches shown with Kenwood Dining Fire Table and Lyndale Chairs KW-LB and KW-SB with KW-1242-K and LSR-CS



# empire collection



Empire Bar Stools with Square Empire Pub Table  
EMPIRE-BAR with EMP-PUB-SQ-K

## EMPIRE BAR STOOLS

- Outdoor-rated fabric padded sling in Taupe
- Powder-coated aluminum frame in Dora Brown finish
- Swivel Bar Stool is the perfect height for pub tables & outdoor kitchens
- Set of 2

## EMPIRE SQUARE PUB TABLE

- Powder-coated aluminum frame in Dora Brown finish
- Square Taupe composite decking top
- Adjustable feet for leveling height
- Pair with INT-EZ for added wow!
- Comes with umbrella hole (with plug)

# naples bar stools



NAPLES-4030-L

- Outdoor resin wicker in Leather color
- Powder-coated aluminum frames in Dora Brown finish
- Swivel bar stool
- Perfect height for Pub Tables and Outdoor Kitchens
- Set of 2



# chat chairs



Tan Chat Chair with Brown Key Largo Fire Pit Table  
CFP42-RCH with KL-1242-BRN

- Modern powder-coated aluminum frame in Dora Brown with Tan cushions or Black finish with Papaya cushions
- Deep seating on a rocking frame
- Outdoor rated cushions
- Papaya fabric is Olefin yarn-dyed, Tan fabric is polyester
- Set of 2

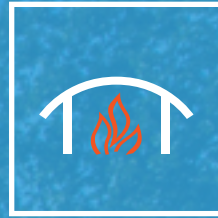


Papaya Chat Chairs with Cove 20 Fire Bowl  
CFP42-RCH-P with CV-20









# CUSTOM OUTDOOR KITCHENS







# custom outdoor kitchens

Create your own custom outdoor kitchen island built to order. You create the dream, we create the reality. Call 1.866.303.4028 or contact [sales@outdoorrooms.com](mailto:sales@outdoorrooms.com) to get started.



## custom outdoor kitchens

- Define your vision, purpose, and budget
- Determine your space, take measurements
- Think about the layout and desired appliances or accessories
- Choose your custom finishes
- Submit your sketch and email [sales@outdoorrooms.com](mailto:sales@outdoorrooms.com) or fill out the form at [outdoorrooms.com/custom](http://outdoorrooms.com/custom)
- More information can be found at [outdoorrooms.com/custom](http://outdoorrooms.com/custom)
- Love the final product? Send us photos! Submit your own photos to [marketing@outdoorrooms.com](mailto:marketing@outdoorrooms.com)



# layout & accessories

Once the layout of your outdoor kitchen is complete, choose from our complete line of commercial grade #304 Stainless Steel accessories designed to custom fit your outdoor kitchen. Crystal Fire® Plus Burners can also be built into outdoor kitchen islands. Want something you don't see here? Let us know and we can add that to your outdoor kitchen for you!

## DRAWERS



Combination Door and Drawers  
CD2DRW



2 Drawers  
2DRW



Trash Bin  
TRASHTO



Single Drawer  
1DRW



3 Drawers  
3DRW



Insulated Cooler  
Drawer  
ICEDRW-INS

## DOORS



Single Door  
17SINGL



27" Double Doors  
27DAD



30" Double Doors  
30DAD

## KITCHEN ACCESSORIES



Danby Refrigerator  
DAR044A5BSLDD



Side Burner  
SDBRNR



Stainless Steel  
Sink  
SINK



Paper Towel  
Holder  
PTDISP

# accessory specifications

| DRAWERS    | WIDTH  | HEIGHT | DEPTH  |
|------------|--------|--------|--------|
| CD2DRW     | 28.25" | 19"    | 21"    |
| 2DRW       | 17.13" | 12.75" | 21"    |
| TRASHTO    | 17.13" | 24.25" | 16.25" |
| 1DRW       | 17.13" | 6.25"  | 21"    |
| 3DRW       | 17.13" | 24.25" | 21"    |
| ICEDRW-INS | 26.13" | 19.63" | 20.75" |

| DOORS   | WIDTH  | HEIGHT | DEPTH |
|---------|--------|--------|-------|
| 17SINGL | 17.13" | 24.13" | N/A   |
| 27DAD   | 25.13" | 18.88" | N/A   |
| 30DAD   | 28.13" | 18.88" | N/A   |

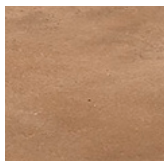
| ACCESSORIES   | WIDTH  | HEIGHT                      | DEPTH    |
|---------------|--------|-----------------------------|----------|
| DAR044A5BSLDD | 21.25" | 33.5"                       | 21"      |
| SINK          | 14.5"  | 6" below w/ 9" faucet above | 14.5"    |
| SDBRNR        | 8.75"  | 14.25"                      | 4" below |
| PTDISP        | 14"    | 8.75"                       | 8.25"    |
| FRIDGE-TK     | 23.75" | 34.6"                       | N/A      |

\*all dimensions listed are cut-out specifications

# custom finishes

We offer several standard finishes or can deliver a complete, ready-to-finish system that can be finished on-site. Our materials and construction methods are designed to last. For a custom material, tile, or countertop, consult our sales staff. Other materials may include solid granite or granite tile, wood accents, stone, metal, etc. Actual finish colors may vary.

## SUPERCAST™



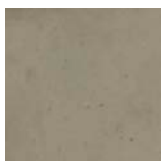
MOCHA



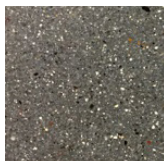
MARBLEIZED  
NOCHE



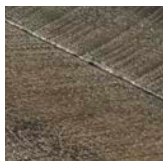
WHITE ONYX



NATURAL  
GREY



POLISHED  
MIDNIGHT MIST



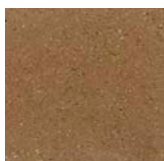
ANTIQUE TIMBER



WASHED  
CEDAR



MARBLEIZED  
MOCHA



POLISHED  
MOCHA

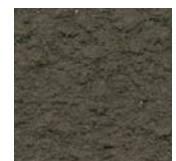
## STUCCO



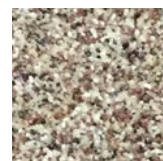
SERENGETI



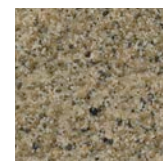
MIDNIGHT  
STORM



NAPA VALLEY



RIDGE BROWN



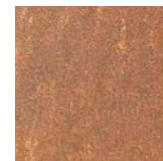
STONY CREEK



VAN DYKE



BLACK FLECK



FERROS









# GALLERY COLLECTION INDOOR FIREPLACES

|                          |    |
|--------------------------|----|
| CRESTLINE GAS HEARTH SET | 70 |
| BUILT-IN LINEAR          | 71 |
| ELECTRIC INSERTS         | 72 |
| BUILT-IN                 | 73 |
| HIGHLAND GAS INSERT      | 74 |





# gallery collection indoor fireplaces

With both electric and gas fireplace options, we have something for everyone. Each model is either UL, ULC, or CSA listed for safety, fits any room style, and is easy to use. Great for residential, multi-family buildings, and commercial spaces.

## crestline modern gas hearth set

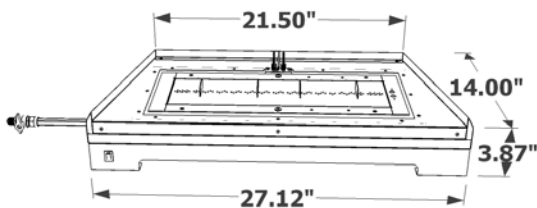


Modern gas hearth set for use in existing vented masonry wood-burning fireplaces or vented manufactured wood-burning fireplaces.

- Stainless Steel Crystal Fire® Plus burner
- Outer shroud is Black powder-coated galvanized steel
- UL & ULC Listed
- Automatic system
- Includes: burner system, control system, flex-line, ball valve, Clear Tempered Fire Glass Gems, and battery pack
- 49,000 BTU's for NG / 52,000 BTU's for LP
- Optional remote for automatic systems
- Optional 3VDC transformer allows unit to be plugged into a 110VAC outlet



## specifications





# built-in linear electric fireplace



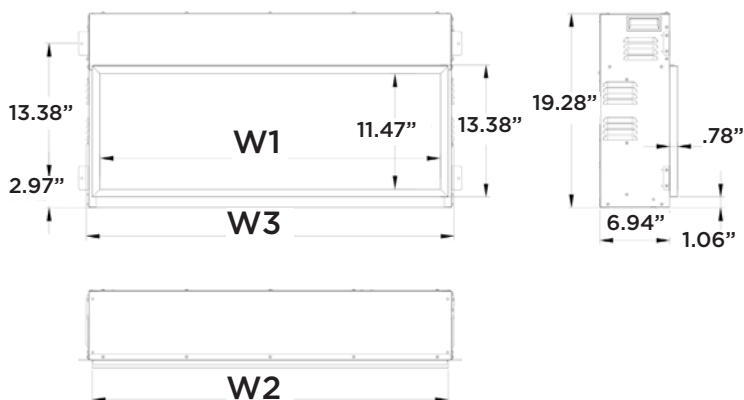
GBL-64 with cool blue lighting  
shown with Tavern Brown 72" Mantel

- Clean “flush finish” installation
- Super quiet operation
- Adds warmth and comfort to any room
- High efficiency Phillips™ brand LED lighting
- Can turn heat on or off and keep the flame for ambiance
- 4 brightness/color options- from crystal clear intense amber flame to a cool blue relaxing flame
- 1300 watt heater
- Operating costs as low as a penny per day with flame and backlighting, and 9-18 cents per hour with the heater on.
- Full feature remote control thermostat with sleep timer
- CSA tested and approved for safety



GBL-44 with amber lighting

## specifications



| MODEL  | W1     | W2     | W3     |
|--------|--------|--------|--------|
| GBL-44 | 41.5"  | 43.13" | 44.25" |
| GBL-64 | 61.25" | 62.75" | 63.94" |

### REMOTE FEATURES

- adjustable realistic-looking flame
- adjustable ambient backlighting
- fan for heat
- adjustable thermostat
- timer

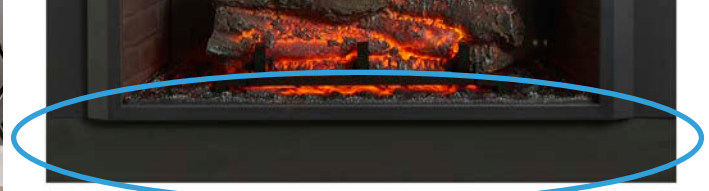




# electric fireplace inserts



Zero Clearance Insert with 36" Surround and Heritage Cabinet  
GI-32-ZC with IS-36-ZC and HTG-W

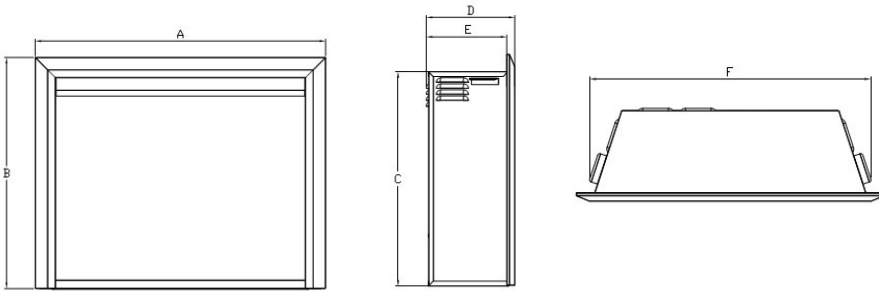


Optional Black powder-coated bottom 4" trim surround piece available for finishing zero clearance front in pre-existing fireplace (IS-36-ZC-B or IS-42-ZC-B)

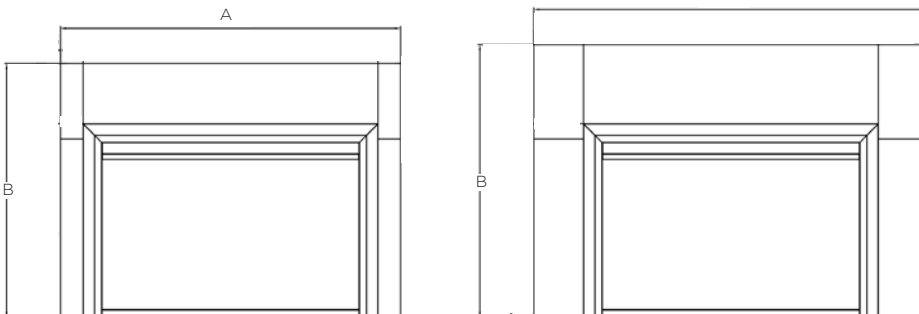
Can be installed virtually anywhere in your home but is designed for installing into existing fireplaces. With two sizes of inserts and two sizes of fronts, you can find something to fit most sizes of existing masonry wood-burning fireplaces. Turn any traditional fireplace into an easy-to-use, clean, and efficient electric fireplace in minutes.

## specifications

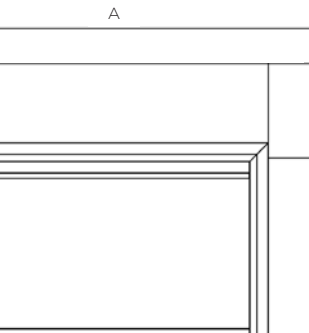
| MODEL    | A      | B      | C   | D     | E     | F      |
|----------|--------|--------|-----|-------|-------|--------|
| GI-29    | 28.5"  | 22.63" | 21" | 8.75" | 8.38" | 26.13" |
| IS-36    | 36.25" | 27"    | -   | -     | -     | -      |
| IS-42    | 42.25" | 28.25" | -   | -     | -     | -      |
| GI-32-ZC | 31.44" | 20.56" | 19" | 8.75" | 8"    | 29.25" |
| IS-36-ZC | 36.25" | 27"    | -   | -     | -     | -      |
| IS-42-ZC | 42"    | 29"    | -   | -     | -     | -      |



GI-29 & GI-32-ZC



IS-36 & IS-36-ZC



IS-42 & IS-42-ZC

- Two models: Regular and Zero Clearance
- Use virtually anywhere in your home
- Operating costs as low as a penny per day with flame and backlighting, and 9-18 cents per hour with the heater on
- Realistic-looking fire, logs, and ember bed— choose your flame intensity
- Faux brick background
- LED flame, log, ember bed, and background lighting
- 1500 watt heater
- Full feature remote control
- Ultra quiet 2 speed heater fan
- High impact tempered glass front
- Operates on standard 120 volt plug-in

### REMOTE FEATURES

- adjustable realistic-looking flame
- adjustable ambient backlighting
- adjustable realistic ember bed lighting
- fan for heat





# built-in electric fireplace



Louvered Front  
LF-34



Full Arched Front  
FAF-34



Arched Rectangular Front  
ARF-34



Built-in Electric Fireplace  
GBI-34

## REMOTE FEATURES

- adjustable realistic-looking flame
- adjustable ambient backlighting
- fan for heat
- adjustable thermostat
- timer



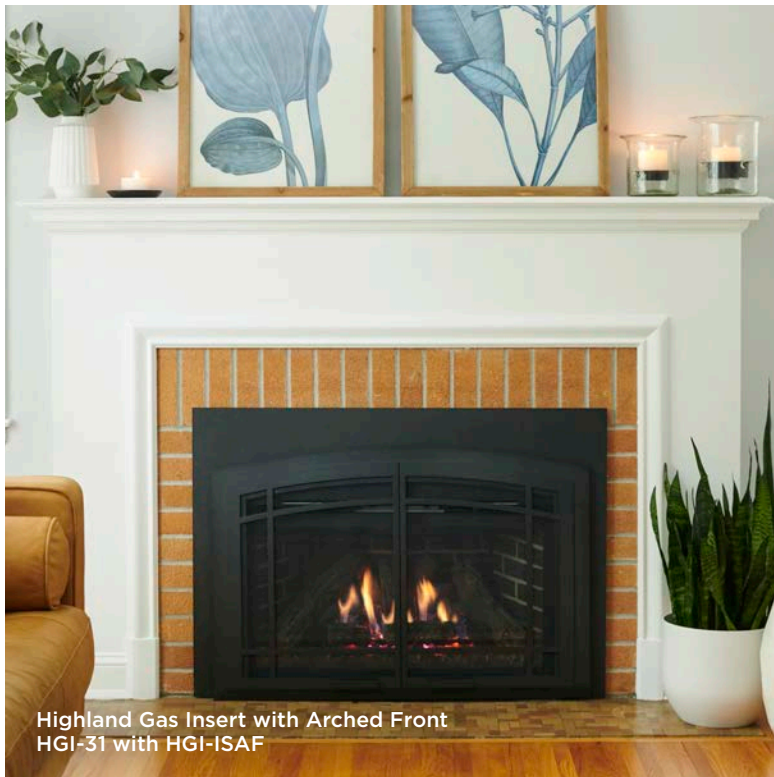
- Choice of three decorative fireplace fronts: Arched, Louvered, Arched Rectangular
- Operating costs as low as a penny per day with flame and backlighting, and 9-18 cents per hour with the heater on
- Realistic-looking fire and coals
- High efficiency LED on fire and back lighting— Uses only 15 watts.
- 1500 watt heater
- Full feature remote control
- Ultra quiet 2 speed heater fan
- High impact tempered glass front
- Operates on standard 120 volt plug-in
- 9 different timer settings

## specifications

| MODEL  | HEIGHT | WIDTH  | DEPTH  | WATTAGE |
|--------|--------|--------|--------|---------|
| GBI-34 | 26.25" | 33.5"  | 11.25" | 1500    |
| LF-34  | 29.75" | 33.88" | 1"     | NA      |
| FAF-34 | 29.75" | 33.88" | 1"     | NA      |
| ARF-34 | 29.75" | 33.88" | 1"     | NA      |



# highland gas fireplace insert



Highland Gas Insert with Arched Front  
HGI-31 with HGI-ISAF

Multiple flame and fan settings allow you to dial in your preference, enjoy the fire for hours, and warm up your room. This direct vent gas insert fits a variety of existing fireplaces. Complete your look with one of three front surrounds. Available with traditional log set or modern glass.

- Order for Liquid Propane (HGI-31LP) or Natural Gas (HGI-31)
- Choose the traditional log set (HGI-31/HGI-31LP pictured left) or upgrade the Modern Hearth Accessory Kit (HGI-MHK pictured right)
- Traditional log set package includes: Ceramic fiber brick refractory and logs, fire glass and embers
- Modern Hearth Accessory Kit includes: 3 bags Clear Tempered Fire Glass Gems
- 3 optional fronts: Traditional, Modern, Arched
- Heat radiating ceramic glass front
- Clear view screen
- Multi-function remote
- 5 flame settings
- 90 CFM 3 speed fan with LED fan indicator light (blue)
- LED Ember Bed (orange and red)
- BTU NG - Max 24,400 / Min 19,100
- BTU LP - Max 22,000 / Min 16,500
- UL & ULC listed to ANSI Z21.50 Vented Gas Fireplaces

## choose your front



Arched Front  
HGI-ISAF

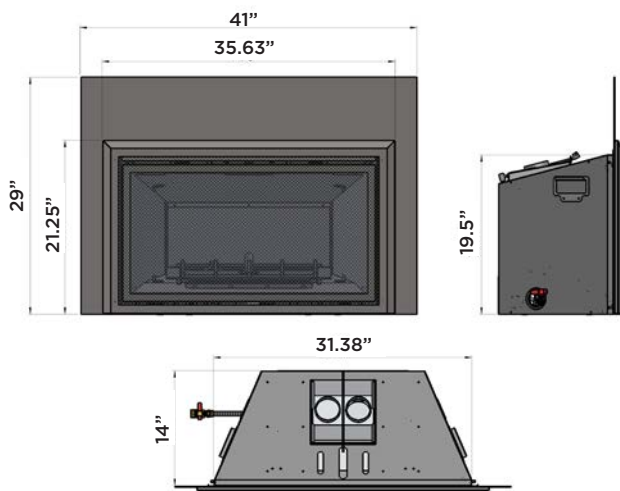


Traditional Front  
HGI-ISTF



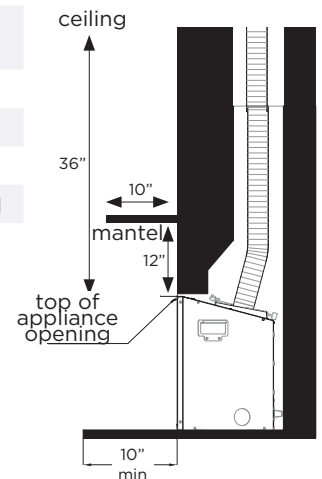
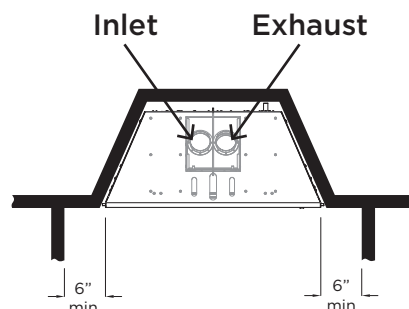
Modern Front  
HGI-ISMF

## specifications



## framing clearances

|                    | minimum clearance to combustible |
|--------------------|----------------------------------|
| side walls         | 6 inches"                        |
| ceiling            | 36"                              |
| front of appliance | 10"                              |
| mantel             | 12" for a 10" deep mantel        |







Highland Gas Insert with Modern Front and Modern Hearth Accessory Kit  
HGI-31 with HGI-ISMF and HGI-MHK









GALLERY  
COLLECTION  
MANTELS &  
ACCESSORIES







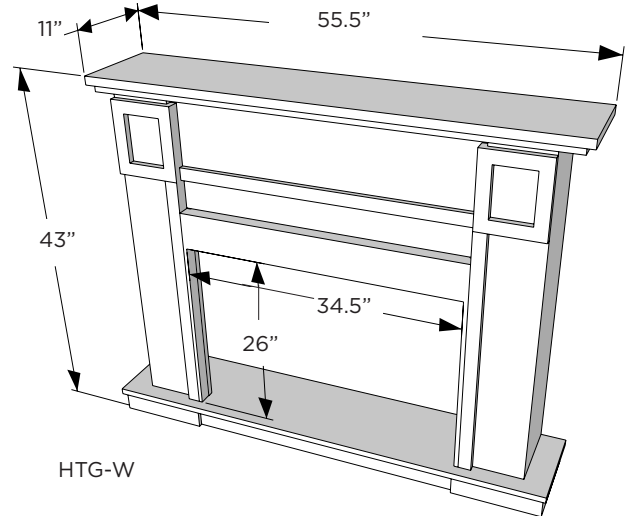
# gallery collection mantels & accessories

Complement your gas or electric fireplace with a Non-Combustible Supercast™ Concrete Mantel or your electric insert with our Heritage Fireplace Cabinet.

## heritage cabinet



- Available for the Zero Clearance Electric Fireplace Insert (GI-32-ZC) with 36" surround (IS-36-ZC) electric fireplace
- Painted white finish
- White Cabinet Only, fire box and decorative front surround sold separately.



Heritage mantel shown with  
Zero Clearance Electric Fireplaces Insert and 36" Surround  
HTG-W with GI-32-ZC and IS-36-ZC



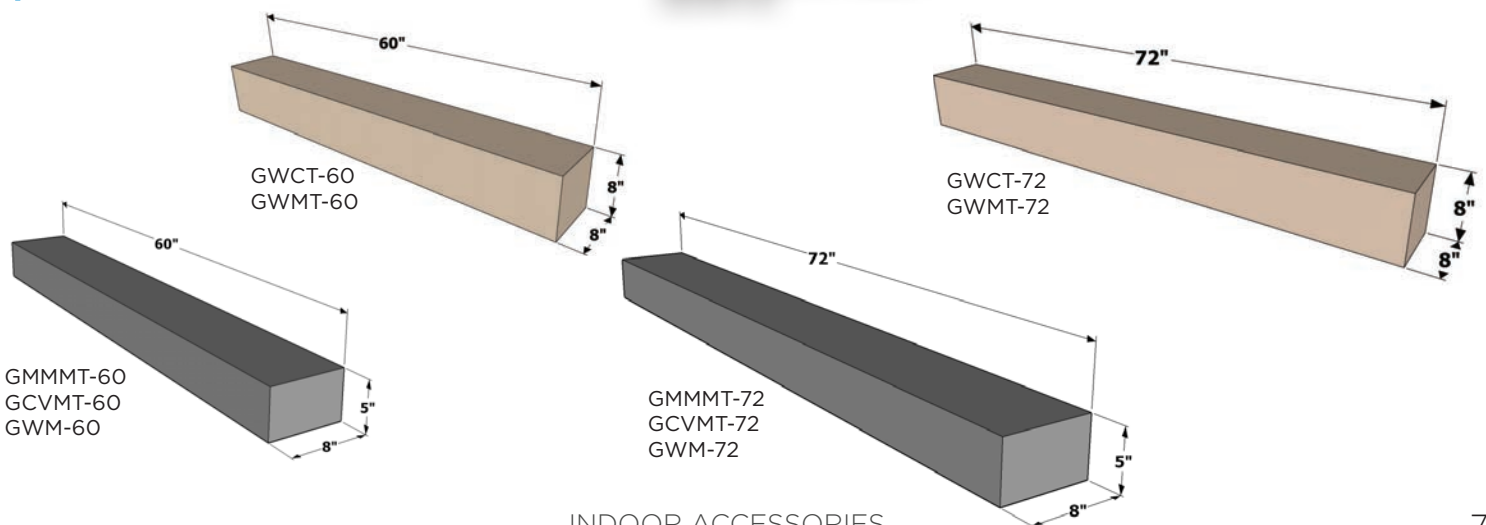
# non-combustible supercast™ mantels



- 5 available finishes: Washed Cedar, Tavern Brown, Polished Midnight Mist, White, and Natural Grey
- Reduced clearances
- Non-combustible
- Real wood-look appearance
- Choose from 60" or 72"
- Custom lengths available
- Easy installation and easy to clean
- For indoor and outdoor applications
- 150 lb functional load rating on 60" mantel
- 180 lb functional load rating on 72" mantel
- Made in USA



## specifications





# STANDARD MATERIALS

## TEMPERED GLASS



Tempered glass is used for all glass wind guards and fire glass. It has been heat-treated and is safe to use with our Crystal Fire® Plus Burners. Untempered glass or glass that has not been heat-treated can explode when it reaches high temperatures and is not safe to use with gas fire pit tables.

## SUPERCAST™ CONCRETE



Supercast™ is a proprietary blend of fiberglass and concrete to provide durability and strength. It is stronger and weighs less than traditional concrete. We have a variety of standard colors and finish looks. Custom options available.

## ULTRACOMPACT SURFACE



Ultracompact surface is a low-maintenance, durable top material that comes in many designs and patterns. It can be compared to a tile or other man-made countertop material and is cared for like such.

## GRANITE



Granite, a popular choice for its durability, strength, and beauty, is available as an option for several fire pit tables in both solid pieces and tiles.

## STAINLESS STEEL



Crystal Fire® Plus Burners, outdoor kitchen accessories, and finish trims are made from #304 Stainless Steel. #304 Stainless Steel is a high quality, commercial-grade metal.





## EVERBLEND



Everblend is a process and material developed in house and manufactured exclusively at The Outdoor Greatroom Company. It is a weather-proof, concrete finish over a fiber cement and steel structure. The durability can be compared to any glass fiber reinforced concrete but is lighterweight for easier handling and installation.

## HARDIEBACKER®



HardieBacker® fiber cement board is used to build many of our fire pit tables, outdoor fireplaces, and custom outdoor kitchens. The board is non-combustible and resistant to mold and mildew which makes it ideal for outdoor applications.

## STUCCO



Stucco is used on many of our outdoor products and comes in many colors and finishes. Stucco is a low-maintenance and durable outdoor finish.

## STEEL FRAMING



Steel framing is used to build many of our fire pit tables, outdoor fireplaces, and custom outdoor kitchens. The framing is commercial-grade G90 marine grade galvanized Stainless Steel that is resistant to all rust and corrosion.

## WOOD



Appearance-grade Douglas Fir is used for the Sonoma and Lodge II pergolas. Architects and engineers consistently look to use Douglas Fir as a structural lumber for its dimensional stability and superior strength-to-weight ratio. Cedar is used for accents on several fire pit tables.



# FREQUENTLY ASKED QUESTIONS

## CRYSTAL FIRE® PLUS BURNERS, FIRE TABLES, & FIRE PITS

### **Are these burners and fire pits UL listed? What does that mean?**

Yes, all of our burners are UL and ULC tested and listed. This means they have passed numerous tests to ensure safe operation meet current ANSI standards. They have undergone extensive wind, rain, and clearance tests.

### **Are there different Crystal Fire® Plus Burner models?**

We have 22+ different Crystal Fire® Plus Burners and Burner Inserts in stock. All of these can be purchased as one complete unit or individual components. Custom burners are also available. See pages 28-31 for our offering of burners, sizes, controls, etc.

### **What type of fuel can I use?**

You can choose from either Liquid Propane (LP), or Natural Gas (NG.) Most Crystal Fire® Plus burners and stocked fire tables come set-up for LP; however, there is NG conversion kit included with the unit. If converting to NG, a certified gas technician should do the installation. When ordering a commercial or custom burner, you must specify LP or NG.

### **How many BTUs per hour are produced?**

The BTU rating for each burner varies by size and fuel type. For exact BTU ratings consult the burner manual.

### **Can I get more BTUs out of my burner?**

Yes, for our CFP20 & CFP1224 there is an orifice booster from 55,000 to 75,000 BTUs. Contact OGC for information. A Glass Wind Guard must be used if higher BTU output orifice is installed with any OGC fire table or the warranty will be void as the table materials are not tested to the higher BTU rating.

### **What is the difference between a commercial burner and a residential burner?**

Commercial-rated burners are often required for commercial applications (Hotels, restaurants, etc.). The OGC commercial burners are identical to the residential burners except they include electronic ignition (DSI), and emergency shut off switch, and need to be ordered specifically for NG or LP. In addition, they have more options available for controls either at the burner or away from the burner.

### **Can commercial burners be used in residential applications?**

Yes, many homeowners desire an electronic ignition burner system as it allows them to control the burner at a switch away from the burner, as well as use optional upgrades like remote controls.

### **Is media included with the Crystal Fire® Plus Burners or fire tables?**

Yes, we include Clear Tempered Fire Glass Gems with each Crystal Fire® Plus Burner unless otherwise noted. Various lava rock, crushed glass, and colored glass is also available.

### **If I purchase a Crystal Fire® Plus Burner for my own project, what else is needed?**

That depends on the project and can vary from additional controls, media, etc. You will need to specify the fuel source (LP or NG) used if it is a commercial or custom burner. We recommend working with your local OGC dealer to determine what is needed for your project or contact us at [sales@outdoorrooms.com](mailto:sales@outdoorrooms.com).

### **Can I use my OGC fire table on a wood deck?**

Yes, all OGC fire pits & fire tables are ok to use on a wood deck if clearances are met. Crystal Fire® Plus Burners are UL, ULC, and CE tested and listed. These burners are used in all of our outdoor fire pits. They are ok to use on concrete patios, wood decks, composite decks, etc.

### **When I push in the black sparker I don't hear any sound**

Be sure to put in a AAA battery, + side facing out into the black sparker box. The push button can be unscrewed and the battery slid in. Connect the two wires running from the burner and you should hear and see a blue spark at the electrode.

### **How long will a 20 lb. tank last? Is one included with my fire table?**

Typically you can operate for an average of 8 hours when burning the CFP20 or CFP1224 on high. The CFP2424, CFP1242, and larger will vary depending on which orifice is used. LP tanks are not included with any OGC product.

### **Do I need to cover my fire table when not in use?**

It is not mandatory to cover the fire table, but is recommended. It is constructed of materials to withstand outdoor exposure, however we do recommend covering if not using for extended periods. This will prevent any unwanted debris from falling onto the burner. There are optional protective covers available.

### **What happens to my burner or fire table when it rains?**

If the burner or fire table is uncovered, water will drain through the perimeter of the burner pan. Water will not drain through the burner neck or build up in the burner, it will safely drain out the bottom of the fire table. All fire tables and burners are constructed of outdoor-rated, durable materials.

### **What regular maintenance should be performed?**

Regularly covering and cleaning your Crystal Fire® Plus burner will extend the life of the product and keep it performing at its best. Clean all loose debris, check fittings and tighten if necessary, ensure all gas lines are intact and free from obstructions, replace batteries in sparker if needed. Consult your manual for more information.

### **Can I roast marshmallows over my fire table or burner?**

Yes you can; however, this appliance has UL Listed as a decorative gas appliance not a cooking appliance. Make sure that combustible items do not end up in the burner, as it will clog the burner ports and prevent proper operation.





## CUSTOM OUTDOOR KITCHENS

### What is the design and ordering process?

Start by completing the custom outdoor kitchen request form from either our catalog or website. From here we will communicate throughout the process on pricing and revisions. The entire process can be completed in 6 weeks once everything is approved. Custom forms are available at [outdoorrooms.com/custom](http://outdoorrooms.com/custom).

### What type of grills can be built in?

Any grill that has the appropriate installation kit or specifications can be used. This includes gas, charcoal, wood, and pellet.

### Can I order a custom finish to match my home?

Yes, you can also order the unit unfinished, and have it finished on-site to match your house and landscape by your local dealer, contractor, or landscaper.

### What are the Outdoor Kitchens built from?

The structure begins with G90 (Marine Grade) galvanized steel framing. It is then wrapped in Hardiebacker® fiber cement board. From there it can be finished from a variety of materials, or left unfinished to be completed on-site.

### What type of maintenance is required?

- Stucco Siding – Clean as needed
- Supercast™ Countertops – Re-seal annually or as needed
- Interior – Clean as needed

## FURNITURE

### How do I clean the fabric?

Most stains can be cleaned with mild soap and warm water. Blot the affected area and try to remove the stain with the cleaning mixture. For more detailed instructions, please visit [www.sunbrella.com](http://www.sunbrella.com).

### Do I need to store my cushions from the rain and/or winter?

The furniture is built to withstand a variety of weather conditions. You can choose to store them inside if you prefer that they are clean and dry to use.

### Is the furniture rust-resistant?

Yes, due to the complete powder-coating process on the frames.

## PERGOLAS

### Do I need to re-stain my pergola?

The wood is prefinished with stain containing UV inhibitors, which slows down fading. Each wood piece is hand dipped into the stain allowing the stain to penetrate the wood. We suggest re-staining as needed, depending on climate.

### Does it need to be fastened down?

It is recommended that all pergolas are fastened to the surface they are built on. Pergolas that are not fastened are void of any warranty. See manual for suggested way to fasten.

### Are there custom pergola options available?

No, we do not take custom pergola requests.

## OUTDOOR FIREPLACES

### What type of burner is in the fireplace?

The CFP1224 burner comes in finished units and is a UL and ULC listed burner. This includes both LP and NG orifices along with the clear glass gems. If desired, an optional log set and lava rock can be ordered.

### Can I burn wood in any of these fireplaces?

No. These units are not wood burning fireplaces. The benefits of a gas fireplace include a smoke-free experience, turn on instantly, and provide instant heat.

### Is the unit approved for use in screened porches, covered porches, gazebos, and lanais?

The unit is approved for use if the outdoor space meets the following:

- Walls on all sides, but with no overhead cover.
- Within a partial enclosure that includes an overhead cover and no more than two sidewalls. The sidewalls may be parallel, as in a breezeway, or at right angles to each other.
- Within a partial enclosure that includes an overhead cover and three sidewalls, as long as the 30 percent or more of the horizontal periphery of the enclosure is permanently open.

## GALLERY INDOOR FIREPLACES

### What is the cost to operate the electric fireplace units?

Based on national average electricity costs, the cost to operate the flame and lights is less than one penny per hour. The cost to operate the heater is about 9 cents per hour on low and 18 cents per hour on high.

### How much heat will the electric fireplaces put out?

The heat output on high is equivalent to 5,000 BTUs/hour (GBL-44 & GBL-64 up to 4500 BTUs/hr.)

### Are the electric fireplace units quiet?

Yes. They have a lightweight composite shaft for the fan/blower making it very quiet.

### How big of a room will the electric fireplaces heat?

While there are many factors to consider (insulation, outdoor temperatures, openness of the room, etc.), 5,000 BTUs should be adequate to heat a room that is about 10 x 20 feet (200 square feet) with an eight foot ceiling.

### What happens if we leave the flame on the electric fireplaces?

The unit is under warranty for 10,000 hours (400 days+). There is a safety mechanism that prevents over heating if the heater is left on for extended periods. If you operate the fireplace for 4 hours a day, the LED lights should last at least six years.

### Can the electric fireplace units be installed in a bathroom?

Yes, it should be located away from a wet/splash zone and away from direct steam.

**For more information visit**  
[outdoorrooms.com/product-support](http://outdoorrooms.com/product-support)



# CUSTOM REQUEST FORMS

With our Minnesota based customer service, design, engineering, and manufacturing abilities, we can help you to design, build, and deliver the custom project you've been dreaming up. The process is simple and includes steps to ensure we do everything correct.

- Start with something as basic as a sketch. It can be something completely new or simply a dimension or material change to one of the many items in our catalog
- Use one of the following forms provided, make a photocopy from this catalog or download from [outdoorrooms.com/custom](http://outdoorrooms.com/custom) and fill out as completely as possible. The more information we have in advance the better.
- Outdoor GreatRoom will provide an estimate for the project.
- If the estimate is approved, the Design and Engineering team will dedicate time and resources to your project.
- Once a rendered drawing is complete, OGC will submit that back for approval.
- Revisions can be discussed and made at this time.
- Once everything is approved, a signed drawing and corresponding purchase order is submitted to OGC to start the process.

## CUSTOM GLASS GUARD REQUEST FORM

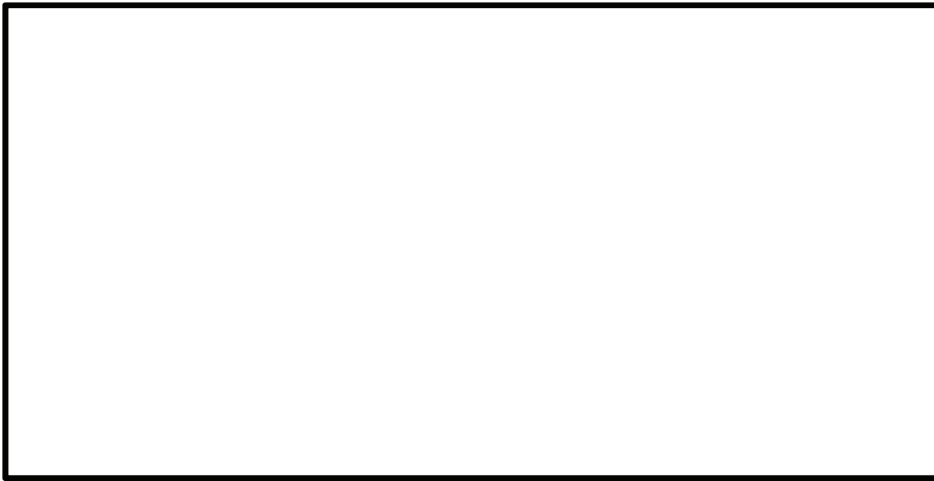
Date \_\_\_\_/\_\_\_\_/\_\_\_\_

Company \_\_\_\_\_ Phone \_\_\_\_\_ Fax \_\_\_\_\_

Customer Name \_\_\_\_\_

Email \_\_\_\_\_

Please provide drawing of your custom glass guard request:



Additional Notes:

---

---

---

---

---

---

---

---

---

---

---

Glass Guard Height: \_\_\_\_6" \_\_\_\_8" \_\_\_\_10" \_\_\_\_12"

Glass Guard Length: \_\_\_\_\_ (min. 10" – max. 66" per panel)

Glass Guard Width: \_\_\_\_\_ (min. 10" – max. 66" per panel)

- Glass is ¼" thick and has a polished edge
- Multiple panels will be required for sections longer than 66". Multiple glass clips apply as well.
- Corner clips add 9/16" length to each end, 180° connections add ¼".
- Silicone bumpers add ¾" to overall height
- Glass etching available upon request







# CUSTOM FIRE PIT TABLE REQUEST FORM

**Customer Name** \_\_\_\_\_

Please provide drawing of your custom burner request either below or on a separate page:



Additional Notes:

---

---

---

---

---

---

---

---

**Drawing should include the overall shape. Fire Pit drawn from multiple angles if possible, and all desired dimensions (LxWxH).**

## **Burner Options:**

LP       Natural Gas

Select a burner for your fire pit and let us know if you have any additional requests related to the burner.

- CFP-1224 (12"x24" rectangular)    CFP-2424 (24"x24" square)    CFP-1242 (12"x42" linear)  
 CFP-1264 (12"x64" linear)    CFP-20 (20" round)    CFP-30 (30" round)  
 Custom length or shape: \_\_\_\_\_

Provide details or drawing with Custom Burner Request Form  
<http://www.outdoorrooms.com/support-custom-products/>

## **Material Options:**

**Top Material:** (Please select a material and provide any additional notes)    Finish Ready (No top)

Supercast:    Mocha    Marbelized Mocha    Marbelized Noche    White Onyx    Polished Mocha

Polished Midnight Mist    Washed Cedar    Antique Timber    Natural Grey    Finish Ready

Edge Style: (Please select a style)    Flat    Chiseled    Bull Nose    Other \_\_\_\_\_

Top Dimensions: \_\_\_\_\_

**Base :** (Please select a material and provide any additional notes)    Finish Ready (Steel Frame & HardiBacker)

Stucco Options:    Stony Creek    Midnight Storm    Van Dyke    Serengeti    Black Fleck    Ridge Brown

Napa Valley Brown    Ferros

Metal:    Dull Black    Gritty Black    Luverne Black    River Black    Architectural Bronze    Dora Brown

Pewter Crater    Charcoal Grey

Base Dimensions: \_\_\_\_\_       Access Door

Corner Profile:    Standard    Raised with HardieBacker    Metal

Accessories:    Glass Gems    Glass Guard    Glass Burner Cover    Supercast Burner Cover

**Special Notes:** \_\_\_\_\_



# CUSTOM BURNER REQUEST FORM

Customer Name \_\_\_\_\_

Please provide drawing of your custom burner request either below or on a separate page:



Additional Notes:

---

---

---

---

---

---

---

**Drawing should include the overall shape. Burner drawn from multiple angles if possible, and all desired dimensions (LxWxH). Feel free to attach separate sheet.**

Burner Shape:  linear  square  round  "L" shape  other

If linear, OGC suggests :  CFP-1224  CFP-1242  CFP-1264  CFP-1272  CFP-1284  CFP-1296  CFP-12108  CFP-12120

Overall Burner Dimensions:  standard width (13 1/2" overall)  custom width (If not standard, what is the desired width?)  
 Length

Ignition:  Battery Spark Igniter  Direct Spark Ignition

IF BATTERY SPARK IGNITER:  Push Button/Turn Knob  Key Valve  Timer (DSI Only)

Gas Type:  LP  Natural Gas (If natural gas what is the length of gas line? \_\_\_\_\_)

What is the estimated distance from middle of burner to control panel? \_\_\_\_\_ (standard groundwire/electrode leads are 18")

Material:  Stainless Steel Finish  Color Coated Burner (Circle One: Black, Dora Brown)

Mounting:  Top Mount  Recessed

Control Panel Type:  Black (6.25x6.25")  Brown (6.25x6.25")  DIY Black (9.5" L x Expandable 3-4.5" H)

Safety Tested:  Standard UL Listing  UL Field Test  Not required to be UL listed

Fire Media:  Glass Gems  Lava Rock  Log Set

Accessories:  Glass Guard  Glass Burner Cover  Supercast Burner Cover

Anticipated Lead Time for Project \_\_\_\_\_

Estimated Budget \_\_\_\_\_

Additional Requests \_\_\_\_\_

\*Linear/Rectangular burners must be a minimum of 13.5" wide and maximum of 10' long to maintain UL listing on single ignition control.

\*Certified Gas Technician should be consulted on installation \*Flame height is 8-14"

\*Burners are tested and designed at standardized pressure: 7 inch water column NG / 11 inch water column LP

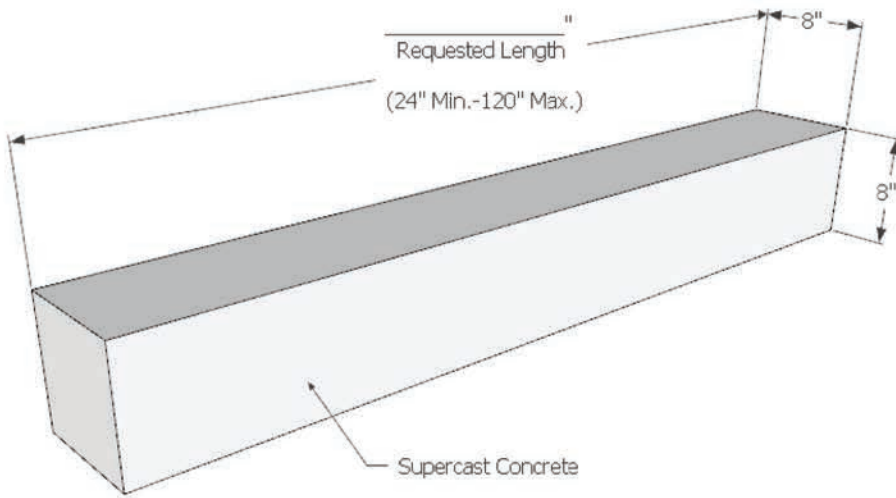


# CUSTOM SUPERCAST™ MANTEL REQUEST FORM

Customer Name \_\_\_\_\_

## GALLERY STYLE MANTEL

HEIGHT & DEPTH ARE NOT CUSTOMIZABLE

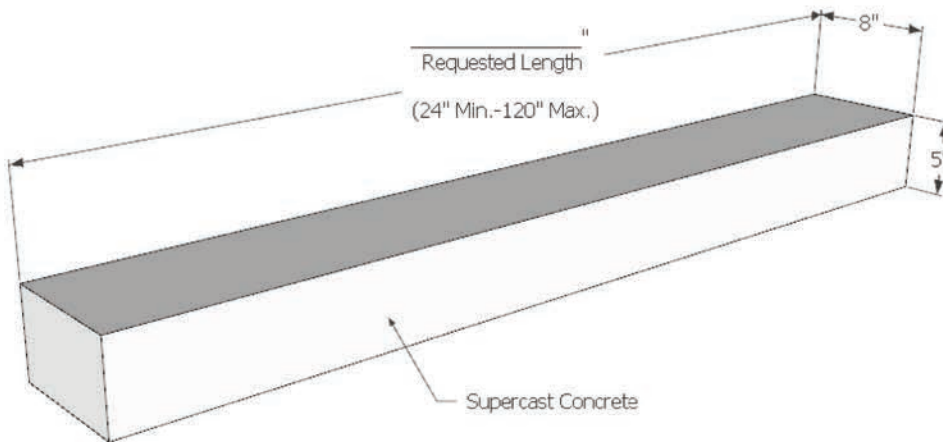


### SUPERCAST CHOICES

- \_\_\_ Natural Grey
- \_\_\_ Polished Midnight Mist
- \_\_\_ Tavern Brown
- \_\_\_ Washed Cedar
- \_\_\_ White
- \_\_\_\_\_ Other

## MODERN STYLE MANTEL

HEIGHT & DEPTH ARE NOT CUSTOMIZABLE



### SUPERCAST CHOICES

- \_\_\_ Natural Grey
- \_\_\_ Polished Midnight Mist
- \_\_\_ White
- \_\_\_\_\_ Other



# CUSTOM METAL FIREPLACE SURROUND REQUEST FORM

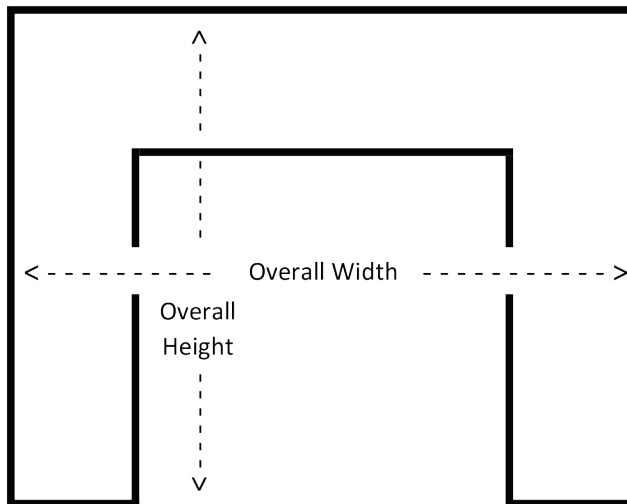
Customer Name \_\_\_\_\_

FILL IN OVERALL WIDTH & HEIGHT AND MODEL NUMBER. ALSO BOTTOM HEIGHT IF FOUR SIDED.

## 3 SIDED SURROUND

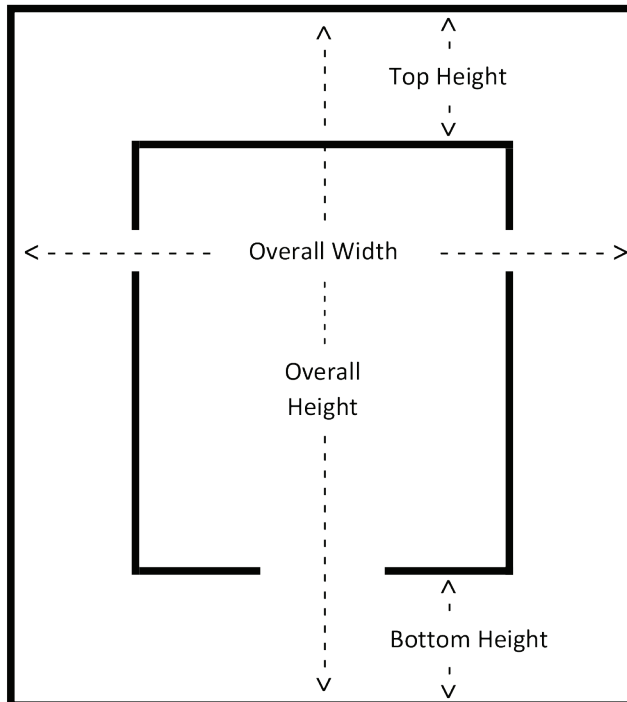
REV 01-17-2019

|                             |       |                |
|-----------------------------|-------|----------------|
| _____                       | x     | _____          |
| Overall Width               |       | Overall Height |
| (Dependent on Model Number) |       |                |
| _____                       | x     | _____          |
| Inside Width                |       | Inside Height  |
| Model No.                   | _____ |                |



## 4 SIDED SURROUND

|  |       |                |
|--|-------|----------------|
| _____  | x     | _____          |
| Overall Width  |       | Overall Height |
| (Dependent on Model Number)                                    |       |                |
| _____  | x     | _____          |
| Inside Width   |       | Inside Height  |
| Model No.  | _____ |                |
| DIFFERENCE<br>BETWEEN OVERALL<br>AND BOTTOM +<br>INSIDE HEIGHT |       |                |
| _____  |       | _____          |
| Top Height   |       | Bottom Height  |



Due to size and finish, some surrounds may be too large to be made as one piece. Contact OGC for very large surrounds. (Usually greater than 50" in width or height.)



# FIRE PIT TABLE ACCESSORIES CHART

| FIRE TABLES        | ACCESSORIES  |                 |           |                   |  |  |       |         |         |       |         |       |         |         |         |         |         |
|--------------------|--------------|-----------------|-----------|-------------------|--|--|-------|---------|---------|-------|---------|-------|---------|---------|---------|---------|---------|
|                    | CF20-LOG SET | LAZY SUSAN RING | SC-SEALER | PROTECTIVE COVERS |  |  | CVR36 | CVR3727 | CVR3939 | CVR42 | CVR4444 | CVR50 | CVR5020 | CVR5038 | CVR5132 | CVR5151 | CVR5427 |
| <b>LINEAR</b>      |              |                 |           |                   |  |  |       |         |         |       |         |       |         |         |         |         |         |
| COR-1264           |              |                 |           |                   |  |  |       |         |         |       |         |       |         |         |         |         |         |
| CR-1242            |              |                 | x         |                   |  |  |       |         |         |       |         |       |         |         |         |         |         |
| CV-1242            |              |                 | x         |                   |  |  |       |         |         |       |         |       |         |         |         |         |         |
| DENBR-1242         |              |                 |           |                   |  |  |       |         |         |       |         |       |         |         |         |         |         |
| KL-1242-BRN        |              |                 | x         |                   |  |  |       |         |         |       |         |       |         |         |         |         | x       |
| KL-1242-MM         |              |                 | x         |                   |  |  |       |         |         |       |         |       |         |         |         |         | x       |
| KL-1242-SS         |              |                 |           |                   |  |  |       |         |         |       |         | x     |         |         |         |         |         |
| KN-1224            | x            |                 |           |                   |  |  |       |         |         |       |         |       |         |         |         |         |         |
| KW-1242-K          |              |                 |           |                   |  |  |       |         |         |       |         |       |         |         |         |         |         |
| MCR-1242-BLK-K     |              |                 |           |                   |  |  |       |         |         |       |         |       |         |         |         |         |         |
| MG-1242-BLK-K      |              |                 |           |                   |  |  |       |         |         |       |         |       |         |         |         |         |         |
| MG-1242-BLSM-K     |              |                 |           |                   |  |  |       |         |         |       |         |       |         |         |         |         |         |
| UPT-1242           |              |                 | x         |                   |  |  |       |         |         |       |         |       |         |         |         |         |         |
| UPT-1242-BRN       |              |                 | x         |                   |  |  |       |         |         |       |         |       |         |         |         |         |         |
| <b>RECTANGULAR</b> |              |                 |           |                   |  |  |       |         |         |       |         |       |         |         |         |         |         |
| ALC-1224           |              |                 | x         |                   |  |  |       |         |         |       |         |       | x       |         |         |         |         |
| BRK-1224-K         | x            |                 |           |                   |  |  |       |         |         |       |         |       |         | x       |         |         |         |
| GS-1224-BRN-K      | x            |                 |           |                   |  |  |       |         |         |       |         |       | x       |         |         |         |         |
| GS-1224-BLK-K      | x            |                 |           |                   |  |  |       |         |         |       |         |       | x       |         |         |         |         |
| HVDG-1224-K        | x            |                 |           |                   |  |  |       |         |         |       |         |       |         |         |         |         |         |
| HVDW-1224-K        | x            |                 |           |                   |  |  |       |         |         |       |         |       |         |         |         |         |         |
| HVGG-1224-K        | x            |                 |           |                   |  |  |       |         |         |       |         |       |         |         |         |         |         |
| HVGW-1224-K        | x            |                 |           |                   |  |  |       |         |         |       |         |       |         |         |         |         |         |
| KW-1224-K          | x            |                 |           |                   |  |  |       |         |         |       |         |       |         |         | x       |         |         |
| NAPLES-CT-B-K      | x            | x               |           |                   |  |  |       |         |         |       |         |       | x       |         |         |         |         |
| PROV-1224-MNB-K    | x            |                 | x         |                   |  |  |       | x       |         |       |         |       |         |         |         |         |         |
| PROV-1224-SS       | x            |                 |           |                   |  |  |       | x       |         |       |         |       |         |         |         |         |         |
| PROV-1224-WO-K     | x            |                 | x         |                   |  |  |       | x       |         |       |         |       |         |         |         |         |         |







# FIRE PIT TABLE ACCESSORIES CHART

| FIRE TABLES   | ACCESSORIES  |                 |           | PROTECTIVE COVERS |         |         |       |         |       |         |         |         |         |         |
|---|--------------|-----------------|-----------|-------------------|---------|---------|-------|---------|-------|---------|---------|---------|---------|---------|
|   | CF20-LOG SET | LAZY SUSAN RING | SC-SEALER | CVR36             | CVR3727 | CVR3939 | CVR42 | CVR4444 | CVR50 | CVR5020 | CVR5038 | CVR5132 | CVR5151 | CVR5427 |
| <b>SQUARE</b>   |              |                 |           |                   |         |         |       |         |       |         |         |         |         |         |
| AX-16   | X            |                 |           |                   |         | X       |       |         |       |         |         |         |         |         |
| CV-2424   | X            |                 | X         |                   |         | X       |       |         |       |         |         |         |         |         |
| SIERRA-2424-M-K   | X            |                 | X         |                   |         |         |       | X       |       |         |         |         |         |         |
| VNG-2424BRN   | X            |                 |           |                   |         |         |       |         |       |         |         |         | X       |         |
| <b>ROUND</b>  |              |                 |           |                   |         |         |       |         |       |         |         |         |         |         |
| BC-20-AB<br>(includes matching Granite Lazy Susan burner cover) | X            | X               |           |                   |         |         |       |         | X     |         |         |         |         |         |
| BC-20-BG<br>(includes matching Granite Lazy Susan burner cover) | X            | X               |           |                   |         |         |       |         | X     |         |         |         |         |         |
| BC-20-MNB   | X            | X               | X         |                   |         |         |       |         | X     |         |         |         |         |         |
| BC-20-WO  | X            | X               | X         |                   |         |         |       |         | X     |         |         |         |         |         |
| BD-20-BG<br>(includes matching Granite Lazy Susan burner cover) | X            | X               |           |                   |         |         |       |         | X     |         |         |         |         |         |
| BD-20-MNB   | X            | X               | X         |                   |         |         |       |         | X     |         |         |         |         |         |
| BD-20-WO  | X            | X               | X         |                   |         |         |       |         | X     |         |         |         |         |         |
| CV-20   | X            | X               | X         | X                 |         |         |       |         |       |         |         |         |         |         |
| CV-30   | X            |                 | X         |                   |         |         |       | X       |       |         |         |         |         |         |
| CV-30BLK  | X            |                 | X         |                   |         |         |       | X       |       |         |         |         |         |         |
| CV-30WHT  | X            |                 | X         |                   |         |         |       | X       |       |         |         |         |         |         |
| ED-20   | X            | X               | X         |                   |         |         |       | X       |       |         |         |         |         |         |
| RNG-32  |              |                 |           |                   |         |         |       |         |       |         |         |         |         |         |
| SF-32-GREY-K<br>(includes matching composite burner cover)      |              |                 |           |                   |         |         |       | X       |       |         |         |         |         |         |
| SF-32-K<br>(includes matching composite burner cover)           |              |                 |           |                   |         |         |       | X       |       |         |         |         |         |         |























# WARRANTY

| PRODUCT CATEGORY                                 | WARRANTY INFORMATION   |
|--|--|
| GAS FIRE PIT TABLES & CRYSTAL FIRE® PLUS BURNERS | <ul style="list-style-type: none"> <li>• Limited lifetime warranty on all stainless steel burners installed in a residential setting, and five years on all stainless steel burners installed in a commercial setting.</li> <li>• One year finish warranty</li> <li>• One year warranty on ignition &amp; electronics</li> <li>• Three year structural warranty on all fire pit bases and top</li> </ul> |
| OUTDOOR GAS FIREPLACES                           | <ul style="list-style-type: none"> <li>• Limited lifetime warranty on all stainless steel burners installed in a residential setting, and five years on all stainless steel burners installed in a commercial setting.</li> <li>• One year finish warranty</li> <li>• One year warranty on ignition &amp; electronics</li> <li>• Three year structural warranty on all fire pit bases and top</li> </ul> |
| PERGOLAS   | <ul style="list-style-type: none"> <li>• One year warranty on finish</li> <li>• Three year warranty on structure</li> </ul>  |
| GALLERY COLLECTION ELECTRIC FIREPLACES           | <ul style="list-style-type: none"> <li>• Two year warranty on LED lighting, fan, and heater system</li> <li>• One year warranty on remote</li> </ul>   |
| OUTDOOR FURNITURE                                | <ul style="list-style-type: none"> <li>• Three year warranty on framework</li> <li>• 5 year warranty on Sunbrella® cushions</li> </ul>   |
| OUTDOOR KITCHENS                                 | <ul style="list-style-type: none"> <li>• Silicone grout sealant must be applied once per year to any exposed grout</li> <li>• 90-day parts/labor warranty on Stereo</li> <li>• One year parts and labor warranty on Refrigerator and Compressor</li> <li>• 5 year structural warranty on bases and tops</li> </ul>   |
| ACCESSORIES                                      | <ul style="list-style-type: none"> <li>• One year warranty on protective covers</li> <li>• 90-day warranty on glass wind guards</li> <li>• Limited lifetime warranty on stainless steel glass wind guard brackets</li> </ul>   |
| NON-COMBUSTIBLE MANTELS                          | <ul style="list-style-type: none"> <li>• One year warranty on finish</li> <li>• Three year structural warranty</li> </ul>  |





## THE OUTDOOR GREATROOM COMPANY

14400 Southcross Drive West  
Suite 100  
Burnsville, MN 55306

Phone: 952.658.6730  
Toll Free: 1.866.303.4028  
Fax: 952.658.6731

[Sales@OutdoorRooms.com](mailto:Sales@OutdoorRooms.com)

[OutdoorRooms.com](http://OutdoorRooms.com)





## Want to show off your space?

Do you love your OGC product? Send us your best photos to [marketing@outdoorrooms.com](mailto:marketing@outdoorrooms.com) or tag us on Instagram @outdoorrooms!

By submitting your photos you are allowing OGC to use the photo for marketing purposes. Professional credit given when requested. If emailing, please send .jpg files taken out of direct sunlight, at sunrise or sunset are preferred. We can't wait to see your projects!



THE OUTDOOR  
GREATROOM  
COMPANY

OutdoorRooms.com  
1.866.303.4028  
[sales@outdoorrooms.com](mailto:sales@outdoorrooms.com)